



ADJUSTABLE HANDLES-MANIJAS DE AJUSTE











Table of Contents

Adjustable Handles



Handles Adjustable Tension Levers Adjustable Handles Cam Levers

<p>Gear Levers K0179</p>		<p>INCH Parts</p> <p>METRIC Parts</p> <p>Page 38</p>
<p>Adjustable Tension Levers internal thread K0108</p>		<p>INCH Parts</p> <p>METRIC Parts</p> <p>Page 40</p>
<p>Adjustable Tension Levers in stainless steel internal thread K0109</p>		<p>INCH Parts</p> <p>METRIC Parts</p> <p>Page 41</p>
<p>Adjustable Tension Levers external thread K0108</p>		<p>INCH Parts</p> <p>METRIC Parts</p> <p>Page 42</p>
<p>Adjustable Tension Levers in stainless steel external thread K0109</p>		<p>INCH Parts</p> <p>METRIC Parts</p> <p>Page 43</p>
<p>Adjustable Tension Levers low profile, internal thread K0114</p>		<p>INCH Parts</p> <p>METRIC Parts</p> <p>Page 44</p>
<p>Adjustable Tension Levers low profile, external thread K0114</p>		<p>INCH Parts</p> <p>METRIC Parts</p> <p>Page 45</p>
<p>Adjustable Handles Classic Ball Style, Zinc, inserts and internal components steel, internal thread K0116</p>		<p>INCH Parts</p> <p>METRIC Parts</p> <p>Page 46</p>










<p>Adjustable Handles Classic Ball Style, Zinc, inserts and internal components stainless steel, internal thread K0117</p>		<p>INCH Parts</p> <p>METRIC Parts</p> <p>Page 48</p>
<p>Adjustable Handles Classic Ball Style, Zinc, bolts and internal components in steel, external thread K0116</p>		<p>INCH Parts</p> <p>METRIC Parts</p> <p>Page 50</p>
<p>Adjustable Handles Classic Ball Style, Zinc, bolts and internal components in stainless steel, external thread K0117</p>		<p>INCH Parts</p> <p>METRIC Parts</p> <p>Page 52</p>
<p>Adjustable Handles Classic Ball Style, Steel, internal thread K0120</p>		<p>INCH Parts</p> <p>METRIC Parts</p> <p>Page 54</p>
<p>Adjustable Handles Classic Ball Style, Steel, external thread K0120</p>		<p>INCH Parts</p> <p>METRIC Parts</p> <p>Page 55</p>
<p>Adjustable Handles Classic Ball Style, Stainless steel components, internal thread K0121</p>		<p>INCH Parts</p> <p>METRIC Parts</p> <p>Page 56</p>
<p>Adjustable Handles Classic Ball Style, Stainless steel components, external thread K0121</p>		<p>INCH Parts</p> <p>METRIC Parts</p> <p>Page 57</p>
<p>Adjustable Handles steel internal thread K0752</p>		<p>INCH Parts</p> <p>METRIC Parts</p> <p>Page 58</p>
<p>Adjustable Handles steel external thread K0752</p>		<p>INCH Parts</p> <p>METRIC Parts</p> <p>Page 60</p>

Table of Contents

Adjustable Handles



Adjustable Handles Modern Design Style, Zinc, inserts and internal components in steel, internal thread K0122		INCH Parts	Page 62
		METRIC Parts	

Adjustable Handles Modern Design Style, Zinc, bolts and internal components in steel, external thread K0122		INCH Parts	Page 64
		METRIC Parts	

Adjustable Handles Modern Design Style, Zinc, inserts and internal components stainless steel, internal thread K0123		INCH Parts	Page 66
		METRIC Parts	

Adjustable Handles Modern Design Style, Zinc, bolts and internal components in stainless steel, external thread K0123		INCH Parts	Page 68
		METRIC Parts	

Adjustable Handles with protective cap Modern Design Style, Zinc, inserts and internal components steel, internal thread K0122		INCH Parts	Page 70
		METRIC Parts	

Adjustable Handles with protective cap Modern Design Style, Zinc, bolts and internal components in steel, external thread K0122		INCH Parts	Page 72
		METRIC Parts	

Adjustable Handles with protective cap Modern Design Style, Zinc, inserts and internal components in stainless steel, internal thread K0123		INCH Parts	Page 74
		METRIC Parts	

Adjustable Handles with protective cap Modern Design Style, Zinc, bolts and internal components in stainless steel, external thread K0123		INCH Parts	Page 76
		METRIC Parts	

Adjustable Handles Modern Design Style, stainless steel, internal thread K0124		INCH Parts	Page 78
		METRIC Parts	

Adjustable Handles Modern Design Style, stainless steel, external thread K0124		INCH Parts	Page 80
		METRIC Parts	

Adjustable Handles with protective cap Modern Design Style, stainless steel, internal thread K0124		INCH Parts	Page 82
		METRIC Parts	

Adjustable Handles with protective cap Modern Design Style, stainless steel, external thread K0124		INCH Parts	Page 83
		METRIC Parts	

Adjustable Handles straight inserts and internal components steel, internal thread K0737		INCH Parts	Page 84
		METRIC Parts	

Adjustable Handles straight bolts and internal components in steel, external thread K0737		INCH Parts	Page 85
		METRIC Parts	

Adjustable Handles straight inserts and internal components stainless steel, internal thread K0738		INCH Parts	Page 86
		METRIC Parts	

Adjustable Handles straight bolts and internal components stainless steel, external thread K0738		INCH Parts	Page 87
		METRIC Parts	


Adjustable Handles Modern Design Style, plastic, inserts and internal components steel, internal thread K0269		INCH Parts	Page 88
		METRIC Parts	

Adjustable Handles Modern Design Style, plastic, bolts and internal components in steel, external thread K0269		INCH Parts	Page 90
		METRIC Parts	

Table of Contents

Adjustable Handles



Adjustable Handles Modern Design Style, plastic, inserts and internal components in stainless steel, internal thread K0270		INCH Parts	Page 92
		METRIC Parts	

Adjustable Handles Modern Design Style, plastic, bolts and internal components in stainless steel, external thread K0270		INCH Parts	Page 94
		METRIC Parts	

Adjustable Handles with push button internal thread K0269		INCH Parts	Page 96
		METRIC Parts	

Adjustable Handles with push button external thread K0269		INCH Parts	Page 98
		METRIC Parts	

Adjustable Handles with push button internal thread, metal parts stainless- steel K0270		INCH Parts	Page 100
		METRIC Parts	

Adjustable Handles with push button external thread, metal parts stainless- steel K0270		INCH Parts	Page 102
		METRIC Parts	

Adjustable Handles 2K two-component with internal thread K0125		INCH Parts	Page 104
		METRIC Parts	

Adjustable Handles 2K two-component with external thread K0125		INCH Parts	Page 105
		METRIC Parts	

Adjustable Handles 2K two-component with internal thread, steel parts in stainless steel K0126		INCH Parts	Page 106
		METRIC Parts	

Adjustable Handles 2K two-component with external thread, steel parts in stainless steel K0126		INCH Parts	Page 107
		METRIC Parts	


Adjustable Handles ECO internal thread K0252		INCH Parts	Page 108
		METRIC Parts	

Adjustable Handles ECO external thread K0252		INCH Parts	Page 109
		METRIC Parts	

Adjustable Handles with thrust pin external thread K0780		METRIC Parts	Page 110

Cam Levers with internal and external thread K0005		INCH Parts	Page 112; 114
		METRIC Parts	

Cam Levers internal and external thread, steel K0788		INCH Parts	Page 116
		METRIC Parts	

Cam Levers in stainless steel with internal and external thread K0645		INCH Parts	Page 118
		METRIC Parts	

Cam Levers with plastic handle with internal and external thread, steel or stainless steel K0646		INCH Parts	Page 120
		METRIC Parts	

Adjustable Cam Levers with external thread, steel or stainless steel K0006		INCH Parts	Page 122
		METRIC Parts	

Table of Contents

Adjustable Handles

Adjustable Cam Levers
external thread, steel
K0789

New Item



INCH
Parts

METRIC
Parts

Page 124

Adjustable Cam Levers in
stainless steel
with external thread
K0647

Expanded Line



INCH
Parts

METRIC
Parts

Page 125

Adjustable Cam Levers
with plastic handle
with external thread,
steel or stainless steel
K0648



INCH
Parts

METRIC
Parts

Page 126

Cam Levers expansion
K0118



METRIC
Parts

Page 127

Cam Levers
with quick lock
K0751



METRIC
Parts

Page 128



Knobs

Knurled Nuts Palm Grips Star Grips Ball and Six-Lobe Knobs

Knurled Nuts
in steel or stainless steel,
DIN 6303
K0137



INCH
Parts

METRIC
Parts

Page 130

Knurled Thumb Screws
in steel or stainless steel,
DIN 464
K0140



INCH
Parts

METRIC
Parts

Page 131

Aluminum Palm Grips
similar to DIN 6335
K0145



METRIC
Parts

Page 132

Palm Grips
in stainless steel similar
to DIN 6335
K0146



INCH
Parts

METRIC
Parts

Page 134

Palm Grips
gray cast iron DIN 6335
K0147



INCH
Parts

METRIC
Parts

Page 136

Quick-Acting Palm Grips
in gray cast iron
K0683



METRIC
Parts

Page 138

Aluminum Star Grips
similar to DIN 6336
K0149



METRIC
Parts

Page 140

Star Grips
in stainless steel similar
to DIN 6336
K0150



INCH
Parts

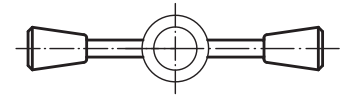
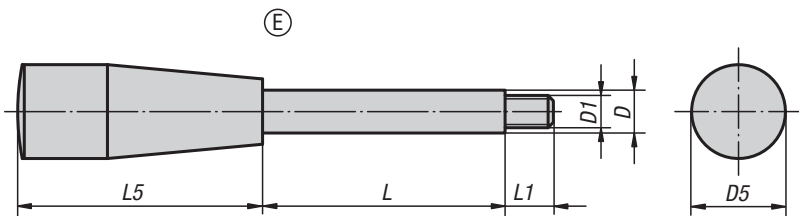
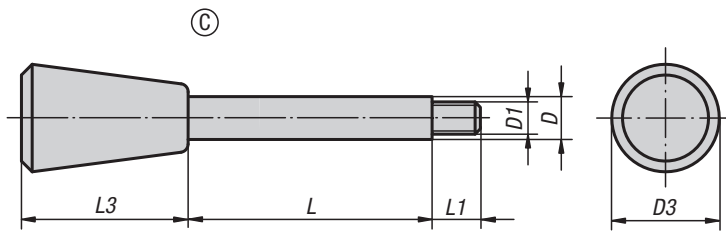
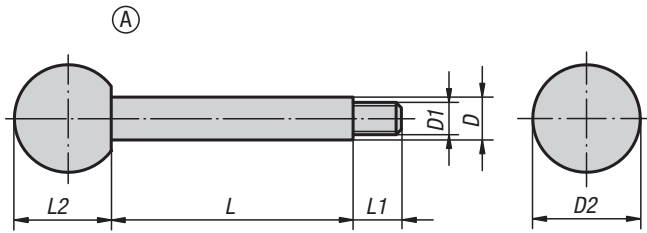
METRIC
Parts

Page 142

Gear Levers



INCH Parts METRIC Parts



Material:

Knobs Duroplast PF 31.
Rod steel 1.0718 or stainless steel 1.4305.

Type:

Duroplastic black, high-gloss polished.
Steel black oxide finish or stainless steel natural finish.

Part Number Example:

K0179.2A2X35
(include length L)

KIPP Gear Levers, style A, inch

Item No. Steel	Item No. Stainless steel	Style	D	D1	D2	L	L1	L2
K0179.2A2X	K0179.12A2X	A	8	1/4-20	20	35/50/65	9	18
K0179.2A3X	K0179.12A3X	A	10	5/16-18	25	50/65/80/100	13	22,5
K0179.2A4X	K0179.12A4X	A	12	3/8-16	32	65/80/100/125	15	29
K0179.2A5X	K0179.12A5X	A	14	1/2-13	36	80/100/125/160	16	33



KIPP Gear Levers, style C, inch

Item No. Steel	Item No. Stainless steel	Style	D	D1	D3	L	L1	L3
K0179.4A2X	K0179.14A2X	C	8	1/4-20	20	35/50/65	9	31
K0179.4A3X	K0179.14A3X	C	10	5/16-18	25	50/65/80/100	13	38
K0179.4A4X	K0179.14A4X	C	12	3/8-16	30	65/80/100/125	15	46
K0179.4A5X	K0179.14A5X	C	14	1/2-13	35	80/100/125/160	16	53

KIPP Gear Levers, style E, inch

Item No. Steel	Item No. Stainless steel	Style	D	D1	D5	L	L1	L5
K0179.6A2X	K0179.16A2X	E	8	1/4-20	17	35/50/65	9	45
K0179.6A3X	K0179.16A3X	E	10	5/16-18	23	50/65/80/100	13	61
K0179.6A4X	K0179.16A4X	E	12	3/8-16	29	65/80/100/125	15	71
K0179.6A5X	K0179.16A5X	E	14	1/2-13	29	80/100/125/160	16	71

KIPP Gear Levers, style A, metric

Item No. Steel	Item No. Stainless steel	Style	D	D1	D2	L	L1	L2
K0179.208X	K0179.1208X	A	8	M6	20	35/50/65	9	18
K0179.210X	K0179.1210X	A	10	M8	25	50/65/80/100	13	22,5
K0179.212X	K0179.1212X	A	12	M10	32	65/80/100/125	15	29
K0179.214X	K0179.1214X	A	14	M12	36	80/100/125/160	16	33

KIPP Gear Levers, style C, metric

Item No. Steel	Item No. Stainless steel	Style	D	D1	D3	L	L1	L3
K0179.408X	K0179.1408X	C	8	M6	20	35/50/65	9	31
K0179.410X	K0179.1410X	C	10	M8	25	50/65/80/100	13	38
K0179.412X	K0179.1412X	C	12	M10	30	65/80/100/125	15	46
K0179.414X	K0179.1414X	C	14	M12	35	80/100/125/160	16	53

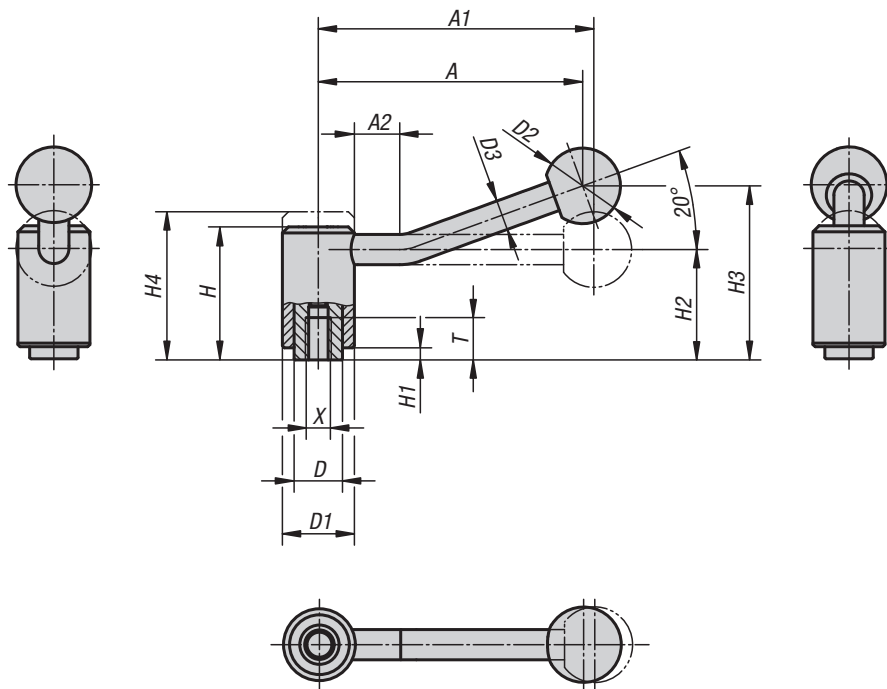
KIPP Gear Levers, style E, metric

Item No. Steel	Item No. Stainless steel	Style	D	D1	D5	L	L1	L5
K0179.608X	K0179.1608X	E	8	M6	17	35/50/65	9	45
K0179.610X	K0179.1610X	E	10	M8	23	50/65/80/100	13	61
K0179.612X	K0179.1612X	E	12	M10	29	65/80/100/125	15	71
K0179.614X	K0179.1614X	E	14	M12	29	80/100/125/160	16	71

Adjustable Tension Levers

internal thread

INCH Parts
METRIC Parts



Material:
Steel parts quality class 5.8.
Ball knob black plastic.

Type:
Powder-coated with fine texture, black

Part Number Example:
K0108.1A32

On request:
Other internal threads and special versions.
Dimension "H1", "A" and "A1" available in other lengths at an additional charge.



KIPP Adjustable Tension Levers, with internal thread, inch

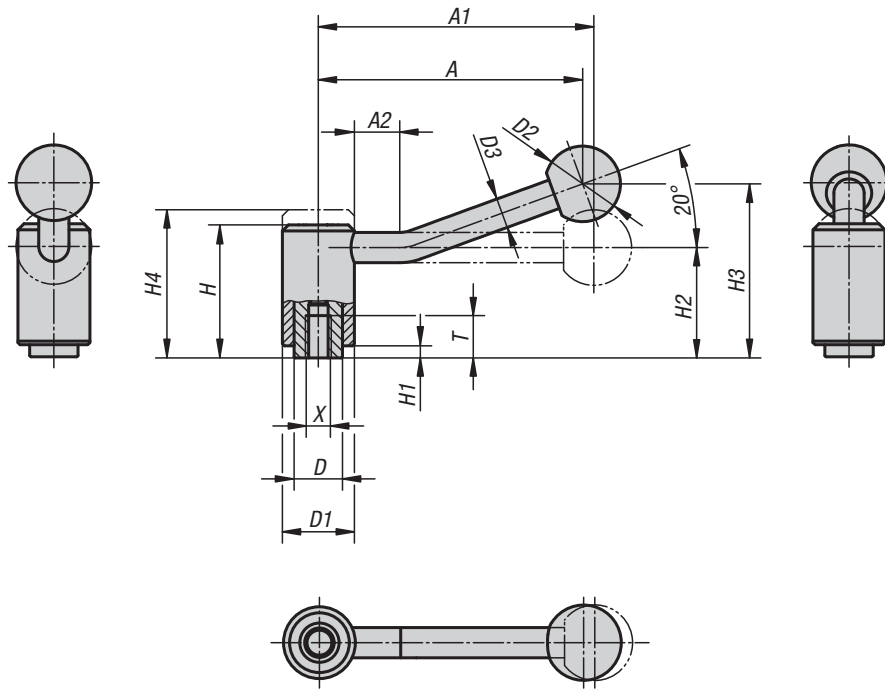
Item No. 0°	Item No. 20°	Size	X	T	D	D1	D2	D3	H	H1	H2	H3	H4	A	A1	A2	No. of teeth
K0108.1A32	K0108.1A31	1	5/16-18	14	16	24	25	10	44,5	4,5	37	-/58,5	49,5	-/88	92/-	-/15	22
K0108.1A42	K0108.1A41	1	3/8-16	14	16	24	25	10	44,5	4,5	37	-/58,5	49,5	-/88	92/-	-/15	22
K0108.2A42	K0108.2A41	2	3/8-16	17	19	28	32	12	51,5	5,5	42	-/68,5	57,5	-/106	111/-	-/15	24
K0108.2A52	K0108.2A51	2	1/2-13	17	19	28	32	12	51,5	5,5	42	-/68,5	57,5	-/106	111/-	-/15	24
K0108.3A52	K0108.3A51	3	1/2-13	23	23	33	32	13	58	6	47	-/81	65	-/128,5	134,5/-	-/15	26
K0108.3A62	K0108.3A61	3	5/8-11	23	23	33	32	13	58	6	47	-/81	65	-/128,5	134,5/-	-/15	26
K0108.4A62	K0108.4A61	4	5/8-11	27	30	41	32	13	68,5	7,5	56,5	-/89,5	76,5	-/128,5	134/-	-/15	36
K0108.4A72	K0108.4A71	4	3/4-10	27	30	41	32	13	68,5	7,5	56,5	-/89,5	76,5	-/128,5	134/-	-/15	36

KIPP Adjustable Tension Levers, with internal thread, metric

Item No. 0°	Item No. 20°	Size	X	T	D	D1	D2	D3	H	H1	H2	H3	H4	A	A1	A2	No. of teeth
K0108.1082	K0108.1081	1	M8	14	16	24	25	10	44,5	4,5	37	-/58,5	49,5	-/88	92/-	-/15	22
K0108.1102	K0108.1101	1	M10	14	16	24	25	10	44,5	4,5	37	-/58,5	49,5	-/88	92/-	-/15	22
K0108.2102	K0108.2101	2	M10	17	19	28	32	12	51,5	5,5	42	-/68,5	57,5	-/106	111/-	-/15	24
K0108.2122	K0108.2121	2	M12	17	19	28	32	12	51,5	5,5	42	-/68,5	57,5	-/106	111/-	-/15	24
K0108.3122	K0108.3121	3	M12	23	23	33	32	13	58	6	47	-/81	65	-/128,5	134,5/-	-/15	26
K0108.3162	K0108.3161	3	M16	23	23	33	32	13	58	6	47	-/81	65	-/128,5	134,5/-	-/15	26
K0108.4162	K0108.4161	4	M16	27	30	41	32	13	68,5	7,5	56,5	-/89,5	76,5	-/128,5	134/-	-/15	36
K0108.4202	K0108.4201	4	M20	27	30	41	32	13	68,5	7,5	56,5	-/89,5	76,5	-/128,5	134/-	-/15	36
K0108.4242	K0108.4241	4	M24	27	30	41	32	13	68,5	7,5	56,5	-/89,5	76,5	-/128,5	134/-	-/15	36

Adjustable Tension Levers in stainless steel

internal thread



Material:
Steel parts in stainless steel, 1.4305,
black plastic ball knob

Type:
Steel parts natural finish.

Part Number Example:
K0109.1A32

On request:
Other internal threads and special versions.
Dimension "H1", "A" and "A1" available in
other lengths at an additional charge.



KIPP Adjustable Tension Levers, in stainless steel, with internal thread, inch

Item No. 0°	Item No. 20°	Size	X	T	D	D1	D2	D3	H	H1	H2	H3	H4	A	A1	A2	No. of teeth
K0109.1A32	K0109.1A31	1	5/16-18	14	16	24	25	10	44,5	4,5	37	-/58,5	49,5	-/88	92/-	-/15	22
K0109.1A42	K0109.1A41	1	3/8-16	14	16	24	25	10	44,5	4,5	37	-/58,5	49,5	-/88	92/-	-/15	22
K0109.2A42	K0109.2A41	2	3/8-16	17	19	28	32	12	51,5	5,5	42	-/68,5	57,5	-/106	111/-	-/15	24
K0109.2A52	K0109.2A51	2	1/2-13	17	19	28	32	12	51,5	5,5	42	-/68,5	57,5	-/106	111/-	-/15	24
K0109.3A52	K0109.3A51	3	1/2-13	23	23	33	32	13	58	6	47	-/81	65	-/128,5	134,5/-	-/15	26
K0109.3A62	K0109.3A61	3	5/8-11	23	23	33	32	13	58	6	47	-/81	65	-/128,5	134,5/-	-/15	26
K0109.4A62	K0109.4A61	4	5/8-11	27	30	41	32	13	68,5	7,5	56,5	-/89,5	76,5	-/128,5	134/-	-/15	36
K0109.4A72	K0109.4A71	4	3/4-10	27	30	41	32	13	68,5	7,5	56,5	-/89,5	76,5	-/128,5	134/-	-/15	36

KIPP Adjustable Tension Levers, in stainless steel, with internal thread, metric

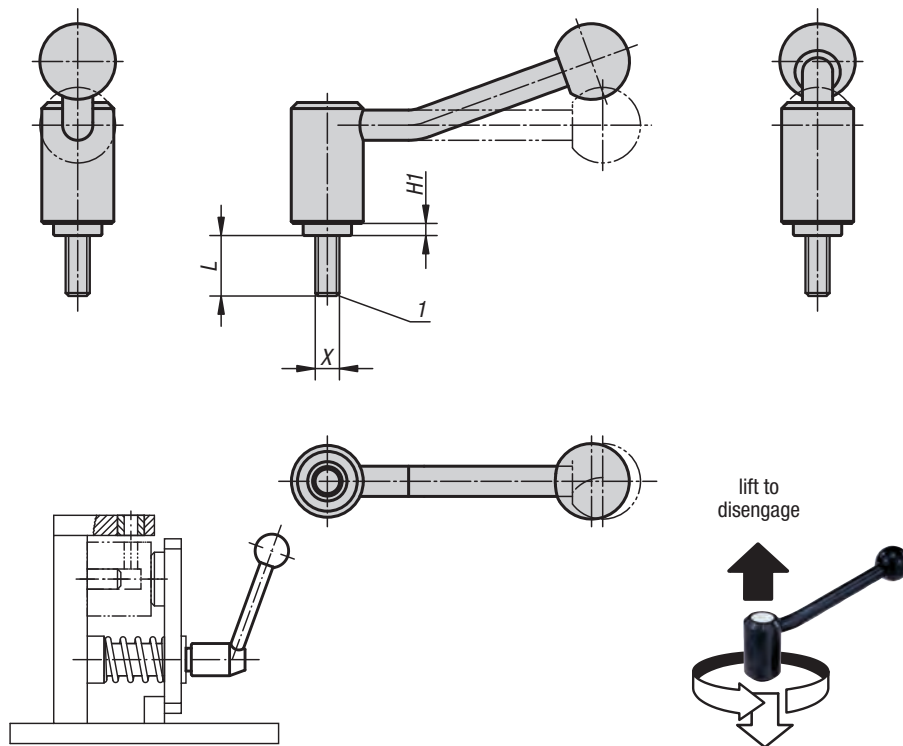
Item No. 0°	Item No. 20°	Size	X	T	D	D1	D2	D3	H	H1	H2	H3	H4	A	A1	A2	No. of teeth
K0109.1082	K0109.1081	1	M8	14	16	24	25	10	44,5	4,5	37	-/58,5	49,5	-/88	92/-	-/15	22
K0109.1102	K0109.1101	1	M10	14	16	24	25	10	44,5	4,5	37	-/58,5	49,5	-/88	92/-	-/15	22
K0109.2102	K0109.2101	2	M10	17	19	28	32	12	51,5	5,5	42	-/68,5	57,5	-/106	111/-	-/15	24
K0109.2122	K0109.2121	2	M12	17	19	28	32	12	51,5	5,5	42	-/68,5	57,5	-/106	111/-	-/15	24
K0109.3122	K0109.3121	3	M12	23	23	33	32	13	58	6	47	-/81	65	-/128,5	134,5/-	-/15	26
K0109.3162	K0109.3161	3	M16	23	23	33	32	13	58	6	47	-/81	65	-/128,5	134,5/-	-/15	26
K0109.4162	K0109.4161	4	M16	27	30	41	32	13	68,5	7,5	56,5	-/89,5	76,5	-/128,5	134/-	-/15	36
K0109.4202	K0109.4201	4	M20	27	30	41	32	13	68,5	7,5	56,5	-/89,5	76,5	-/128,5	134/-	-/15	36

Adjustable Tension Levers

external thread



INCH Parts METRIC Parts



Material:
Steel parts quality class 5.8.
Ball knob black plastic.

Type:
Powder-coated with fine texture, black

Part Number Example:
K0108.1A32X20
(include length L)

Note:
For dimensions not shown, see Tension Levers with internal thread.

On request:
Other internal threads and special versions.
Dimension "H1", "A" and "A1" available in other lengths at an additional charge.

Drawing reference:
1) flat point DIN 78

KIPP Adjustable Tension Levers, with external thread, inch

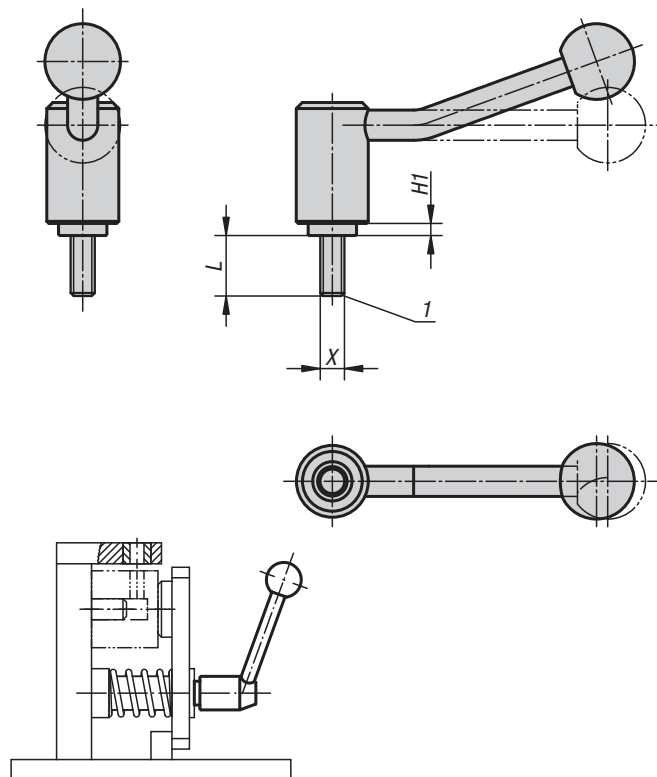
Item No. 0°	Item No. 20°	Size	X	H1	L
K0108.1A32X20	K0108.1A31X20	1	5/16-18	4,5	20/25/30/40/50/60
K0108.1A42X20	K0108.1A41X20	1	3/8-16	4,5	20/25/30/40/50/60
K0108.1A52X20	K0108.1A51X20	1	1/2-13	4,5	20/25/30/40/50/60
K0108.2A52X20	K0108.2A51X20	2	1/2-13	5,5	20/25/30/40/50/60
K0108.3A52X20	K0108.3A51X20	3	1/2-13	6	20/25/30/40/50/60
K0108.3A62X20	K0108.3A61X20	3	5/8-11	6	20/25/30/40/50/60
K0108.4A62X30	K0108.4A61X30	4	5/8-11	7,5	30/40/50/60
K0108.4A72X30	K0108.4A71X30	4	3/4-10	7,5	30/40/50/60

KIPP Adjustable Tension Levers, with external thread, metric

Item No. 0°	Item No. 20°	Size	X	H1	L
K0108.1082X15	K0108.1081X15	1	M8	4,5	15/20/25/30/40/50/60
K0108.1102X15	K0108.1101X15	1	M10	4,5	15/20/25/30/40/50/60
K0108.1122X15	K0108.1121X15	1	M12	4,5	15/20/25/30/40/50/60
K0108.2122X20	K0108.2121X20	2	M12	5,5	20/25/30/40/50/60
K0108.3122X20	K0108.3121X20	3	M12	6	20/25/30/40/50/60/70/80/90
K0108.3162X20	K0108.3161X20	3	M16	6	20/25/30/40/50/60/70/80/90
K0108.4162X30	K0108.4161X30	4	M16	7,5	30/40/50/60/70/80/90
K0108.4202X30	K0108.4201X30	4	M20	7,5	30/40/50/60/70/80/90
K0108.4242X30	K0108.4241X30	4	M24	7,5	30/40/50/60/70/80/90

Adjustable Tension Levers in stainless steel

external thread



Material:

Steel parts in stainless steel, 1.4305.
black plastic ball knob.

Type:

Steel parts natural finish.

Part Number Example:

K0109.1A32X15
(include length L)

Note:

For dimensions not shown, see Tension Levers with internal thread.

On request:

Other external threads, screw lengths and special versions.
Dimension "H1", "A" and "A1" available in other lengths at an extra charge.

Drawing reference:

1) flat point DIN 78

KIPP Adjustable Tension Levers, in stainless steel, with external thread, inch

Item No. 0°	Item No. 20°	Size	X	H1	L
K0109.1A32X15	K0109.1A31X15	1	5/16-18	4,5	15/20/25/30/40/50/60
K0109.1A42X15	K0109.1A41X15	1	3/8-16	4,5	15/20/25/30/40/50/60
K0109.1A52X15	K0109.1A51X15	1	1/2-13	4,5	15/20/25/30/40/50/60
K0109.2A52X20	K0109.2A51X20	2	1/2-13	5,5	20/25/30/40/50/60
K0109.3A52X20	K0109.3A51X20	3	1/2-13	6	20/25/30/40/50/60/70/80/90
K0109.3A62X20	K0109.3A61X20	3	5/8-11	6	20/25/30/40/50/60/70/80/90
K0109.4A62X30	K0109.4A61X30	4	5/8-11	7,5	30/40/50/60/70/80/90
K0109.4A72X30	K0109.4A71X30	4	3/4-10	7,5	30/40/50/60/70/80/90

KIPP Adjustable Tension Levers, in stainless steel, with external thread, metric

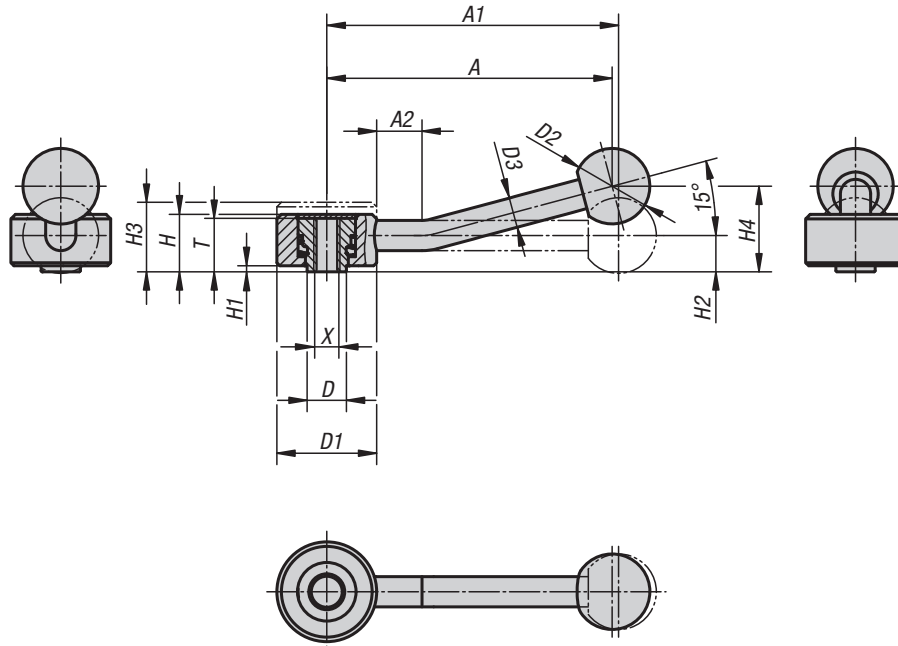
Item No. 0°	Item No. 20°	Size	X	H1	L
K0109.1082X15	K0109.1081X15	1	M8	4,5	15/20/25/30/40/50/60
K0109.1102X15	K0109.1101X15	1	M10	4,5	15/20/25/30/40/50/60
K0109.1122X15	K0109.1121X15	1	M12	4,5	15/20/25/30/40/50/60
K0109.2122X20	K0109.2121X20	2	M12	5,5	20/25/30/40/50/60
K0109.3122X20	K0109.3121X20	3	M12	6	20/25/30/40/50/60/70/80/90
K0109.3162X20	K0109.3161X20	3	M16	6	20/25/30/40/50/60/70/80/90
K0109.4162X30	K0109.4161X30	4	M16	7,5	30/40/50/60/70/80/90
K0109.4202X30	K0109.4201X30	4	M20	7,5	30/40/50/60/70/80/90

Adjustable Tension Levers

low profile, internal thread



INCH Parts METRIC Parts



Material:
Steel parts quality class 5.8.
Ball knob black plastic.

Type:
Black oxide finish.

Part Number Example:
K0114.1A21

On request:
Other internal threads and special versions.
Dimension "H1", "A" and "A1" available in other lengths at an additional charge.



KIPP Adjustable Tension Levers, low profile, internal thread, inch

Item No. 0°	Item No. 15°	Size	X	T	D	D1	D2	D3	H	H1	H2	H3	H4	A	A1	A2	No. of teeth
K0114.1A21	K0114.1A22	1	1/4-20	18	13,5	33	25	10	19	2	12	23	-/29	-/100	102/-	-/15	26
K0114.1A31	K0114.1A32	1	5/16-18	18	13,5	33	25	10	19	2	12	23	-/29	-/100	102/-	-/15	26
K0114.2A41	K0114.2A42	2	3/8-16	21	19	41	30	12	22	2	13,5	26	-/38	-/127	131/-	-/15	30
K0114.2A51	K0114.2A52	2	1/2-13	21	19	41	30	12	22	2	13,5	26	-/38	-/127	131/-	-/15	30
K0114.3A51	K0114.3A52	3	1/2-13	27	23	45	37	14	28	2	17	33	-/48	-/145	148/-	-/15	36
K0114.3A61	K0114.3A62	3	5/8-11	27	23	45	37	14	28	2	17	33	-/48	-/145	148/-	-/15	36

KIPP Adjustable Tension Levers, low profile, internal thread, metric

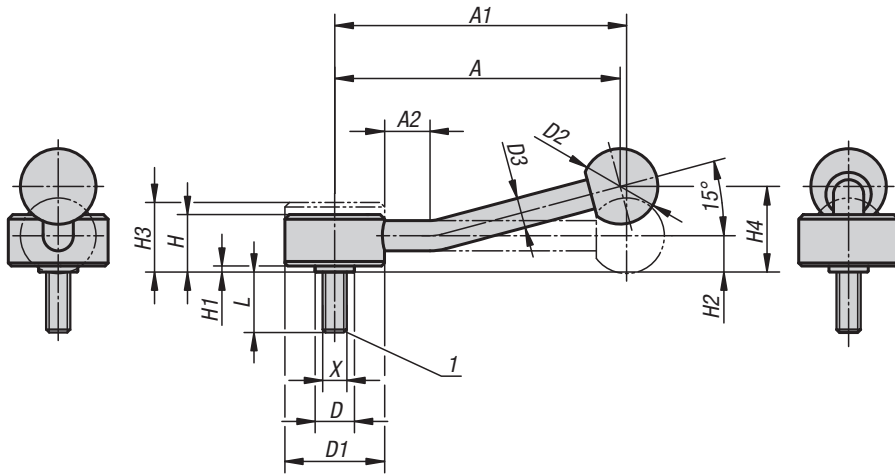
Item No. 0°	Item No. 15°	Size	X	T	D	D1	D2	D3	H	H1	H2	H3	H4	A	A1	A2	No. of teeth
K0114.1061	K0114.1062	1	M6	18	13,5	33	25	10	19	2	12	23	-/29	-/100	102/-	-/15	26
K0114.1081	K0114.1082	1	M8	18	13,5	33	25	10	19	2	12	23	-/29	-/100	102/-	-/15	26
K0114.2101	K0114.2102	2	M10	21	19	41	30	12	22	2	13,5	26	-/38	-/127	131/-	-/15	30
K0114.2121	K0114.2122	2	M12	21	19	41	30	12	22	2	13,5	26	-/38	-/127	131/-	-/15	30
K0114.3121	K0114.3122	3	M12	27	23	45	37	14	28	2	17	33	-/48	-/145	148/-	-/15	36
K0114.3161	K0114.3162	3	M16	27	23	45	37	14	28	2	17	33	-/48	-/145	148/-	-/15	36

Adjustable Tension Levers

low profile, external thread



INCH Parts METRIC Parts



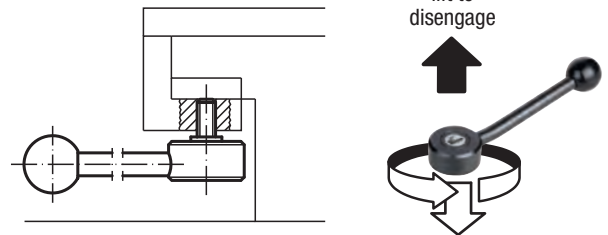
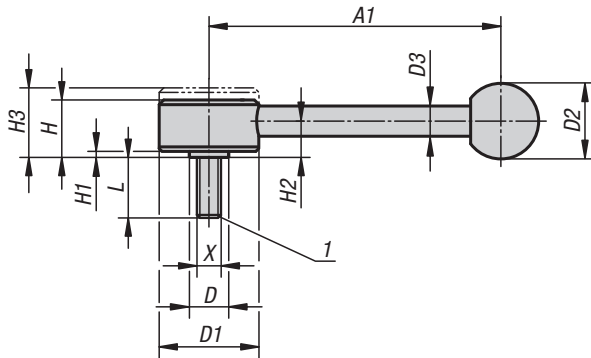
Material:
Steel parts quality class 5.8.
Ball knob black plastic.

Type:
Black oxide finish.

Part Number Example:
K0114.1A31X20
(include length L)

On request:
Other external threads, screw lengths and special versions.
Dimension "H1", "A" and "A1" available in other lengths at an additional charge.

Drawing reference:
1) flat point DIN 78



KIPP Adjustable Tension Levers, low profile, external thread, inch

Item No. 0°	Item No. 15°	Size	X	D	D1	D2	D3	H	H1	H2	H3	H4	A	A1	A2	No. of teeth	L
K0114.1A31X	K0114.1A32X	1	5/16-18	13,5	33	25	10	19	2	12	23	-/29	-/100	102/-	-/15	20	20/25/30/40/50/60
K0114.1A41X	K0114.1A42X	1	3/8-16	13,5	33	25	10	19	2	12	23	-/29	-/100	102/-	-/15	20	20/25/30/40/50/60
K0114.2A41X	K0114.2A42X	2	3/8-16	19	41	30	12	22	2	13,5	26	-/38	-/127	131/-	-/15	24	20/25/30/40/50/60
K0114.2A51X	K0114.2A52X	2	1/2-13	19	41	30	12	22	2	13,5	26	-/38	-/127	131/-	-/15	24	20/25/30/40/50/60
K0114.3A51X	K0114.3A52X	3	1/2-13	23	45	37	14	28	2	17	33	-/48	-/145	148/-	-/15	26	20/25/30/40/50/60
K0114.3A61X	K0114.3A62X	3	5/8-11	23	45	37	14	28	2	17	33	-/48	-/145	148/-	-/15	26	20/25/30/40/50/60

KIPP Adjustable Tension Levers, low profile, external thread, metric

Item No. 0°	Item No. 15°	Size	X	D	D1	D2	D3	H	H1	H2	H3	H4	A	A1	A2	No. of teeth	L
K0114.1081X	K0114.1082X	1	M8	13,5	33	25	10	19	2	12	23	-/29	-/100	102/-	-/15	20	15/20/25/30/40/50/60
K0114.1101X	K0114.1102X	1	M10	13,5	33	25	10	19	2	12	23	-/29	-/100	102/-	-/15	20	15/20/25/30/40/50/60
K0114.2101X	K0114.2102X	2	M10	19	41	30	12	22	2	13,5	26	-/38	-/127	131/-	-/15	24	20/25/30/40/50/60
K0114.2121X	K0114.2122X	2	M12	19	41	30	12	22	2	13,5	26	-/38	-/127	131/-	-/15	24	20/25/30/40/50/60
K0114.3121X	K0114.3122X	3	M12	23	45	37	14	28	2	17	33	-/48	-/145	148/-	-/15	26	20/25/30/40/50/60
K0114.3161X	K0114.3162X	3	M16	23	45	37	14	28	2	17	33	-/48	-/145	148/-	-/15	26	20/25/30/40/50/60

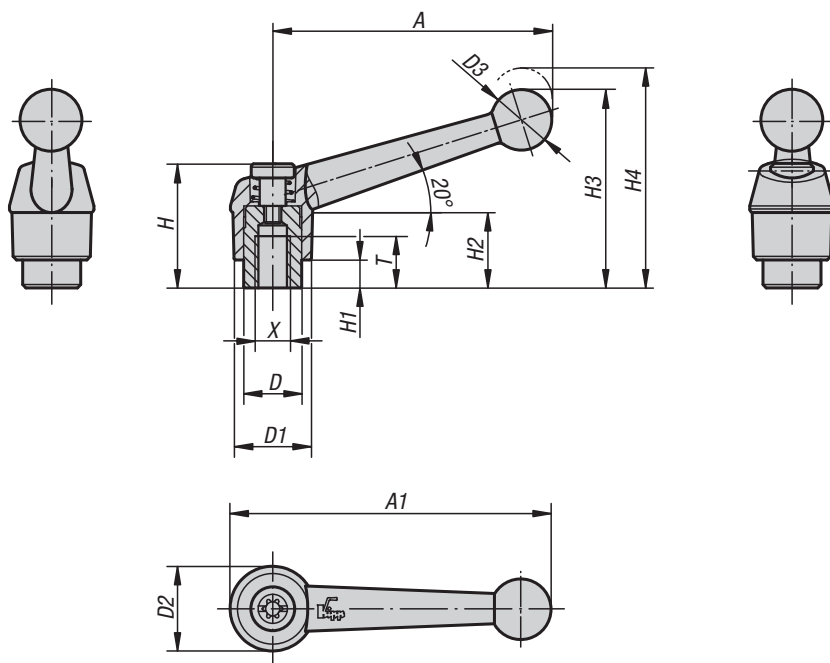
Adjustable Handles

Classic Ball Style, Zinc, inserts and internal components steel, internal thread



INCH
Parts

METRIC
Parts



Material:

Handle die-cast zinc DIN EN 12844.
Steel parts quality class 5.8.

Type:

Handle powder-coated,
steel parts black oxide finish

Part Number Example:

K0116.1AE1

Note:

Standard colors are:
black satin finish, silver metallic.

On request:

Other internal threads, colors and special versions.
Dimension "H1" can be produced in other lengths at
an additional charge.



Adjustable Handles

Classic Ball Style, Zinc, inserts and internal components steel, internal thread



KIPP Adjustable Handles, Classic Ball Style, Zinc, with internal thread, components in steel, inch

Item No. Black satin finish	Item No. Silver metallic	Size	X	T	D	D1	D2	D3	H	H1	H2	H3	H4	A	A1	No. of teeth
K0116.1AE1	K0116.1AE3	1	8-32	9	10	13	14	10,5	24,5	4	15	32,5	35,5	39	46	16
K0116.1A01	K0116.1A03	1	10-24	9	10	13	14	10,5	24,5	4	15	32,5	35,5	39	46	16
K0116.1A11	K0116.1A13	1	10-32	9	10	13	14	10,5	24,5	4	15	32,5	35,5	39	46	16
K0116.1A21	K0116.1A23	1	1/4-20	9	10	13	14	10,5	24,5	4	15	32,5	35,5	39	46	16
K0116.2A21	K0116.2A23	2	1/4-20	12	13,5	18	18,5	15,5	28,5	6,5	16,5	45,5	49,5	64	73	20
K0116.2A31	K0116.2A33	2	5/16-18	12	13,5	18	18,5	15,5	28,5	6,5	16,5	45,5	49,5	64	73	20
K0116.3A31	K0116.3A33	3	5/16-18	14	16	21	22	17	37	10	23	57,5	61,5	79	90	22
K0116.3A41	K0116.3A43	3	3/8-16	14	16	21	22	17	37	10	23	57,5	61,5	79	90	22
K0116.4A41	K0116.4A43	4	3/8-16	17	19	25	26	19	42,5	10	26	67	72	95	108	24
K0116.4A51	K0116.4A53	4	1/2-13	17	19	25	26	19	42,5	10	26	67	72	95	108	24
K0116.5A51	K0116.5A53	5	1/2-13	23	23	30	31	22	49	12	32	79	84	110	126	26
K0116.5A61	K0116.5A63	5	5/8-11	23	23	30	31	22	49	12	32	79	84	110	126	26

KIPP Adjustable Handles, Classic Ball Style, Zinc, with internal thread, components in steel, metric

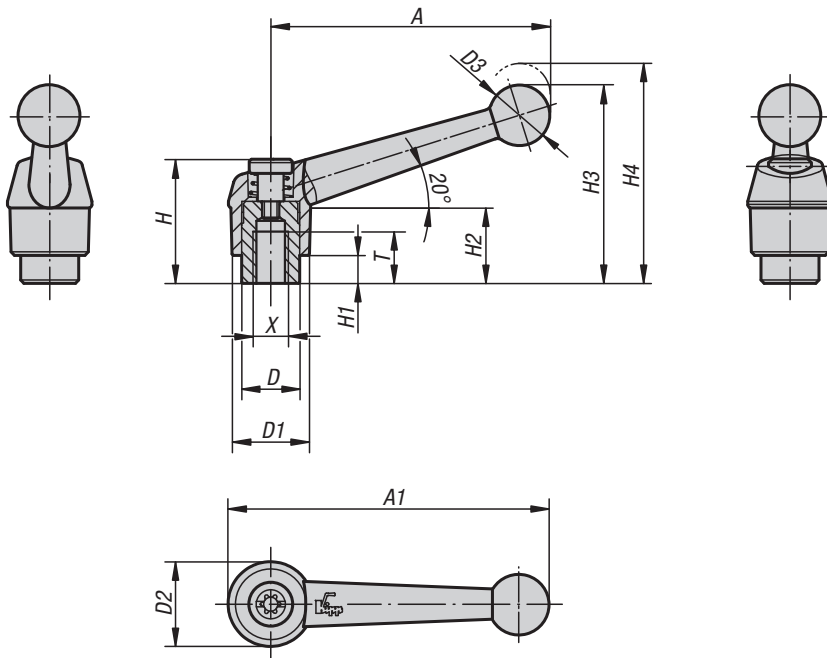
Item No. Black satin finish	Item No. Silver metallic	Size	X	T	D	D1	D2	D3	H	H1	H2	H3	H4	A	A1	No. of teeth
K0116.1041	K0116.1043	1	M4	9	10	13	14	10,5	24,5	4	15	32,5	35,5	39	46	16
K0116.1051	K0116.1053	1	M5	9	10	13	14	10,5	24,5	4	15	32,5	35,5	39	46	16
K0116.1061	K0116.1063	1	M6	9	10	13	14	10,5	24,5	4	15	32,5	35,5	39	46	16
K0116.2061	K0116.2063	2	M6	12	13,5	18	18,5	15,5	28,5	6,5	16,5	45,5	49,5	64	73	20
K0116.2081	K0116.2083	2	M8	12	13,5	18	18,5	15,5	28,5	6,5	16,5	45,5	49,5	64	73	20
K0116.3081	K0116.3083	3	M8	14	16	21	22	17	37	10	23	57,5	61,5	79	90	22
K0116.3101	K0116.3103	3	M10	14	16	21	22	17	37	10	23	57,5	61,5	79	90	22
K0116.4101	K0116.4103	4	M10	17	19	25	26	19	42,5	10	26	67	72	95	108	24
K0116.4121	K0116.4123	4	M12	17	19	25	26	19	42,5	10	26	67	72	95	108	24
K0116.5121	K0116.5123	5	M12	23	23	30	31	22	49	12	32	79	84	110	126	26
K0116.5161	K0116.5163	5	M16	23	23	30	31	22	49	12	32	79	84	110	126	26

Adjustable Handles

Classic Ball Style, Zinc, inserts and internal components stainless steel, internal thread



INCH Parts
METRIC Parts



Material:

Handle die-cast zinc DIN EN 12844.
Steel parts stainless steel 1.4305.

Type:

Handle powder-coated,
steel parts natural finish.

Part Number Example:

K0117.1A01

Note:

Standard colors are:
black satin finish, silver metallic.

On request:

Other internal threads, colors and special versions.
Dimension "H1" can be produced in other lengths
at an additional charge.



Adjustable Handles

Classic Ball Style, Zinc, inserts and internal components stainless steel, internal thread



KIPP Adjustable Handles, Classic Ball Style, Zinc, with internal thread, components in stainless steel, inch

Item No. Black satin finish	Item No. Silver metallic	Size	X	T	D	D1	D2	D3	H	H1	H2	H3	H4	A	A1	No. of teeth
K0117.1A01	K0117.1A03	1	10-24	9	10	13	14	10,5	24,5	4	15	32,5	35,5	39	46	16
K0117.1A11	K0117.1A13	1	10-32	9	10	13	14	10,5	24,5	4	15	32,5	35,5	39	46	16
K0117.1A21	K0117.1A23	1	1/4-20	9	10	13	14	10,5	24,5	4	15	32,5	35,5	39	46	16
K0117.2A21	K0117.2A23	2	1/4-20	12	13,5	18	18,5	15,5	28,5	6,5	16,5	45,5	49,5	64	73	20
K0117.2A31	K0117.2A33	2	5/16-18	12	13,5	18	18,5	15,5	28,5	6,5	16,5	45,5	49,5	64	73	20
K0117.3A31	K0117.3A33	3	5/16-18	14	16	21	22	17	37	10	23	57,5	61,5	79	90	22
K0117.3A41	K0117.3A43	3	3/8-16	14	16	21	22	17	37	10	23	57,5	61,5	79	90	22
K0117.4A41	K0117.4A43	4	3/8-16	17	19	25	26	19	42,5	10	26	67	72	95	108	24
K0117.4A51	K0117.4A53	4	1/2-13	17	19	25	26	19	42,5	10	26	67	72	95	108	24
K0117.5A51	K0117.5A53	5	1/2-13	23	23	30	31	22	49	12	32	79	84	110	126	26
K0117.5A61	K0117.5A63	5	5/8-11	23	23	30	31	22	49	12	32	79	84	110	126	26

KIPP Adjustable Handles, Classic Ball Style, Zinc, with internal thread, components in stainless steel, metric

Item No. Black satin finish	Item No. Silver metallic	Size	X	T	D	D1	D2	D3	H	H1	H2	H3	H4	A	A1	No. of teeth
K0117.1041	K0117.1043	1	M4	9	10	13	14	10,5	24,5	4	15	32,5	35,5	39	46	16
K0117.1051	K0117.1053	1	M5	9	10	13	14	10,5	24,5	4	15	32,5	35,5	39	46	16
K0117.1061	K0117.1063	1	M6	9	10	13	14	10,5	24,5	4	15	32,5	35,5	39	46	16
K0117.2061	K0117.2063	2	M6	12	13,5	18	18,5	15,5	28,5	6,5	16,5	45,5	49,5	64	73	20
K0117.2081	K0117.2083	2	M8	12	13,5	18	18,5	15,5	28,5	6,5	16,5	45,5	49,5	64	73	20
K0117.3081	K0117.3083	3	M8	14	16	21	22	17	37	10	23	57,5	61,5	79	90	22
K0117.3101	K0117.3103	3	M10	14	16	21	22	17	37	10	23	57,5	61,5	79	90	22
K0117.4101	K0117.4103	4	M10	17	19	25	26	19	42,5	10	26	67	72	95	108	24
K0117.4121	K0117.4123	4	M12	17	19	25	26	19	42,5	10	26	67	72	95	108	24
K0117.5121	K0117.5123	5	M12	23	23	30	31	22	49	12	32	79	84	110	126	26
K0117.5161	K0117.5163	5	M16	23	23	30	31	22	49	12	32	79	84	110	126	26

Adjustable Handles

Classic Ball Style, Zinc, bolts and internal components in steel, external thread



Material:
Handle die-cast zinc DIN EN 12844.
Steel parts quality class 5.8.

Type:
Handle powder-coated;
steel bolts and internal components black oxide finish

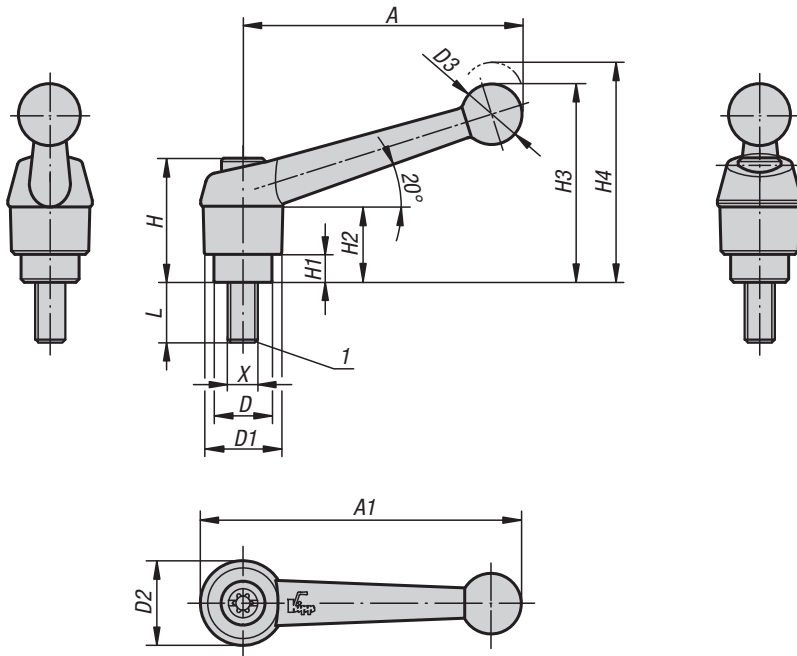
Part Number Example:
K0116.1A01X10
(include length L)

Note:
Standard colors are:
black satin finish, silver metallic.

On request:
Other external threads, screw lengths, colors and
special versions.
Dimension "H1" can be produced in other lengths at
an additional charge.

Drawing reference:
1) flat point DIN 78

lift to
disengage



KIPP Measurements, external thread

Size	X	D	D1	D2	D3	H	H1	H2	H3	H4	A	A1	No. of teeth
1	10-24 / M5	10	13	14	10,5	24,5	4	15	32,5	35,5	39	46	16
1	10-32	10	13	14	10,5	24,5	4	15	32,5	35,5	39	46	16
1	1/4-20 / M6	10	13	14	10,5	24,5	4	15	32,5	35,5	39	46	16
2	1/4-20 / M6	13,5	18	18,5	15,5	28,5	6,5	16,5	45,5	49,5	64	73	20
2	5/16-18 / M8	13,5	18	18,5	15,5	28,5	6,5	16,5	45,5	49,5	64	73	20
2	3/8-16 / M10	13,5	18	18,5	15,5	28,5	6,5	16,5	45,5	49,5	64	73	20
3	5/16-18 / M8	16	21	22	17	37	10	23	57,5	61,5	79	90	22
3	3/8-16 / M10	16	21	22	17	37	10	23	57,5	61,5	79	90	22
4	3/8-16 / M10	19	25	26	19	42,5	10	26	67	72	95	108	24
4	1/2-13 / M12	19	25	26	19	42,5	10	26	67	72	95	108	24
5	1/2-13 / M12	23	30	31	22	49	12	32	79	84	110	126	26
5	5/8-11 / M16	23	30	31	22	49	12	32	79	84	110	126	26

Adjustable Handles

Classic Ball Style, Zinc, bolts and internal components in steel, external thread



KIPP Adjustable Handles, Classic Ball Style, Zinc, with external thread, components in steel, inch

Item No. Black satin finish	Item No. Silver metallic	Size	X	L
K0116.1A01X	K0116.1A03X	1	10-24	10/15/20/25/30/35/40/45/50
K0116.1A11X	K0116.1A13X	1	10-32	10/15/20/25/30/35/40/45/50
K0116.1A21X	K0116.1A23X	1	1/4-20	10/15/20/25/30/35/40/45/50
K0116.2A21X	K0116.2A23X	2	1/4-20	15/20/25/30/35/40/45/50/55/60
K0116.2A31X	K0116.2A33X	2	5/16-18	15/20/25/30/35/40/45/50/55/60
K0116.2A41X	K0116.2A43X	2	3/8-16	15/20/25/30/35/40/45/50/55/60
K0116.3A31X	K0116.3A33X	3	5/16-18	15/20/25/30/35/40/45/50/55/60
K0116.3A41X	K0116.3A43X	3	3/8-16	15/20/25/30/35/40/45/50/55/60
K0116.4A41X	K0116.4A43X	4	3/8-16	20/25/30/35/40/45/50/55/60/70/80/90
K0116.4A51X	K0116.4A53X	4	1/2-13	20/25/30/35/40/45/50/55/60/70/80/90
K0116.5A51X	K0116.5A53X	5	1/2-13	25/30/35/40/45/50/55/60/70/80/90
K0116.5A61X	K0116.5A63X	5	5/8-11	25/30/35/40/45/50/55/60/70/80/90

KIPP Adjustable Handles, Classic Ball Style, Zinc, with external thread, components in steel, metric

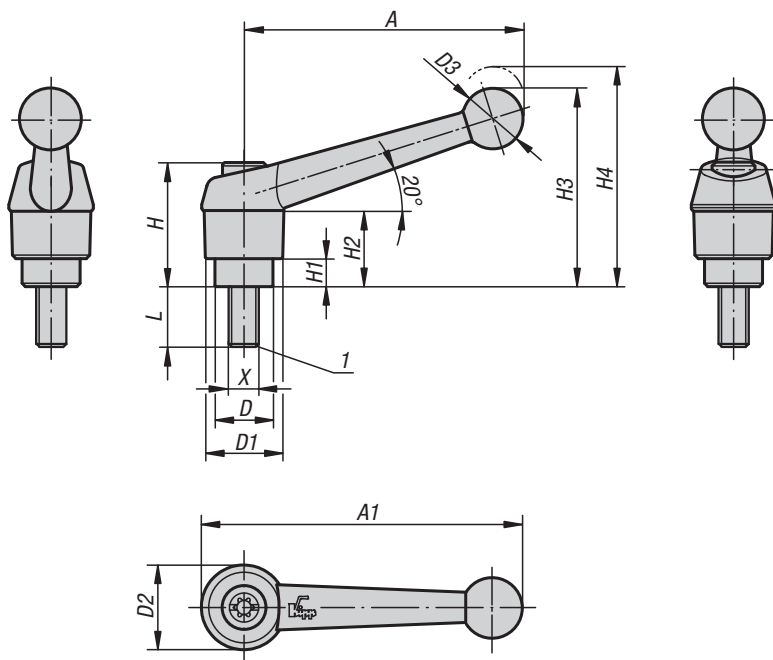
Item No. Black satin finish	Item No. Silver metallic	Size	X	L
K0116.1051X	K0116.1053X	1	M5	10/15/20/25/30/35/40/45/50
K0116.1061X	K0116.1063X	1	M6	10/15/20/25/30/35/40/45/50
K0116.2061X	K0116.2063X	2	M6	15/20/25/30/35/40/45/50/55/60
K0116.2081X	K0116.2083X	2	M8	15/20/25/30/35/40/45/50/55/60
K0116.2101X	K0116.2103X	2	M10	15/20/25/30/35/40/45/50/55/60
K0116.3081X	K0116.3083X	3	M8	15/20/25/30/35/40/45/50/55/60
K0116.3101X	K0116.3103X	3	M10	15/20/25/30/35/40/45/50/55/60
K0116.4101X	K0116.4103X	4	M10	20/25/30/35/40/45/50/55/60/70/80/90
K0116.4121X	K0116.4123X	4	M12	20/25/30/35/40/45/50/55/60/70/80/90
K0116.5121X	K0116.5123X	5	M12	25/30/35/40/45/50/55/60/70/80/90
K0116.5161X	K0116.5163X	5	M16	25/30/35/40/45/50/55/60/70/80/90

Adjustable Handles

Classic Ball Style, Zinc, bolts and internal components in stainless steel, external thread



INCH Parts METRIC Parts



Material:

Handle die-cast zinc DIN EN 12844.
Steel parts stainless steel 1.4305.

Type:

Handle powder-coated;
stainless steel bolts and internal components natural finish

Part Number Example:

K0117.1A01X15
(include length L)

Note:

Standard colors are:
black satin finish, silver metallic.

On request:

Other external threads, screw lengths, colors and special versions.
Dimension "H1" can be produced in other lengths at an additional charge.

Drawing reference:

1) flat point DIN 78



KIPP Measurements, external thread

Size	X	D	D1	D2	D3	H	H1	H2	H3	H4	A	A1	No. of teeth
1	10-24 / M5	10	13	14	10,5	24,5	4	15	32,5	35,5	39	46	16
1	10-32	10	13	14	10,5	24,5	4	15	32,5	35,5	39	46	16
1	1/4-20 / M6	10	13	14	10,5	24,5	4	15	32,5	35,5	39	46	16
2	1/4-20 / M6	13,5	18	18,5	15,5	28,5	6,5	16,5	45,5	49,5	64	73	20
2	5/16-18 / M8	13,5	18	18,5	15,5	28,5	6,5	16,5	45,5	49,5	64	73	20
2	3/8-16 / M10	13,5	18	18,5	15,5	28,5	6,5	16,5	45,5	49,5	64	73	20
3	5/16-18 / M8	16	21	22	17	37	10	23	57,5	61,5	79	90	22
3	3/8-16 / M10	16	21	22	17	37	10	23	57,5	61,5	79	90	22
4	1/2-13 / M12	19	25	26	19	42,5	10	26	67	72	95	108	24
5	5/8-11 / M16	23	30	31	22	49	12	32	79	84	110	126	26

Adjustable Handles

Classic Ball Style, Zinc, bolts and internal components in stainless steel, external thread



KIPP Adjustable Handles, Classic Ball Style, Zinc, with external thread, components in stainless steel, inch

Item No. Black satin finish	Item No. Silver metallic	Size	X	L
K0117.1A01X	K0117.1A03X	1	10-24	15/20/25
K0117.1A11X	K0117.1A13X	1	10-32	15/20/25
K0117.1A21X	K0117.1A23X	1	1/4-20	10/15/20/25/30/40/50
K0117.2A21X	K0117.2A23X	2	1/4-20	15/20/25/30/40/50/60
K0117.2A31X	K0117.2A33X	2	5/16-18	15/20/25/30/40/50/60
K0117.2A41X	K0117.2A43X	2	3/8-16	20/25/30/40/50/60
K0117.3A31X	K0117.3A33X	3	5/16-18	20/25/30/40/50/60
K0117.3A41X	K0117.3A43X	3	3/8-16	20/25/30/40/50/60
K0117.4A51X	K0117.4A53X	4	1/2-13	25/30/40/50/60
K0117.5A61X	K0117.5A63X	5	5/8-11	30/40/50/60

KIPP Adjustable Handles, Classic Ball Style, Zinc, with external thread, components in stainless steel, metric

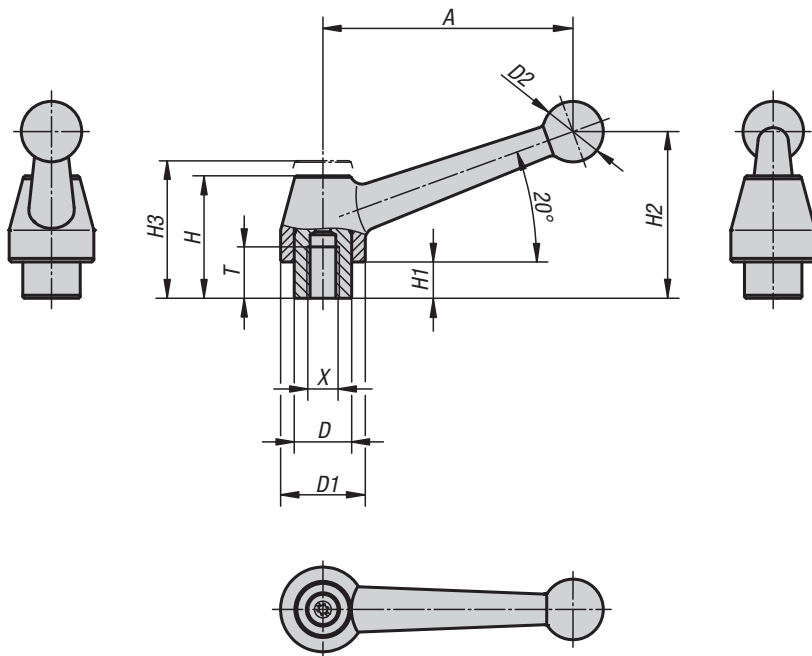
Item No. Black satin finish	Item No. Silver metallic	Size	X	L
K0117.1051X	K0117.1053X	1	M5	10/15/20/25
K0117.1061X	K0117.1063X	1	M6	10/15/20/25/30/40/50
K0117.2061X	K0117.2063X	2	M6	15/20/25/30/40/50/60
K0117.2081X	K0117.2083X	2	M8	15/20/25/30/40/50/60
K0117.2101X	K0117.2103X	2	M10	20/25/30/40/50/60
K0117.3081X	K0117.3083X	3	M8	20/25/30/40/50/60
K0117.3101X	K0117.3103X	3	M10	20/25/30/40/50/60
K0117.4121X	K0117.4123X	4	M12	25/30/40/50/60
K0117.5161X	K0117.5163X	5	M16	30/40/50/60

Adjustable Handles

Classic Ball Style, Steel, internal thread



INCH Parts METRIC Parts

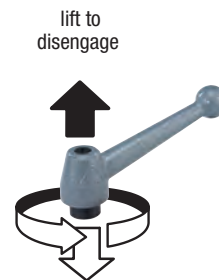


Material:
Handle 1.0401.
All other steel parts quality class 5.8.

Type:
Handle painted silver-gray with hammertone finish, steel parts black oxide finish.

Part Number Example:
K0120.1A3

On request:
Other internal threads and special versions.
Dimension "H1" can be produced in other lengths at an additional charge.



KIPP Adjustable Handles, Classic Ball Style, with internal thread, inch

Item No.	Base material	Size	X	T	D	D1	D2	H	H1	H2	H3	A	No. of teeth
K0120.1A3	Steel	1	5/16-18	17	19	28	20	41	12	54	49	83	24
K0120.1A4	Steel	1	3/8-16	17	19	28	20	41	12	54	49	83	24
K0120.1A5	Steel	1	1/2-13	17	19	28	20	41	12	54	49	83	24
K0120.2A5	Steel	2	1/2-13	23	23	35	25	50	12	69	56	108	26
K0120.2A6	Steel	2	5/8-11	23	23	35	25	50	12	69	56	108	26
K0120.3A6	Steel	3	5/8-11	27	30	43	30	58.5	12	78	65	132	36
K0120.3A7	Steel	3	3/4-10	27	30	43	30	58.5	12	78	65	132	36

KIPP Adjustable Handles, Classic Ball Style, with internal thread, metric

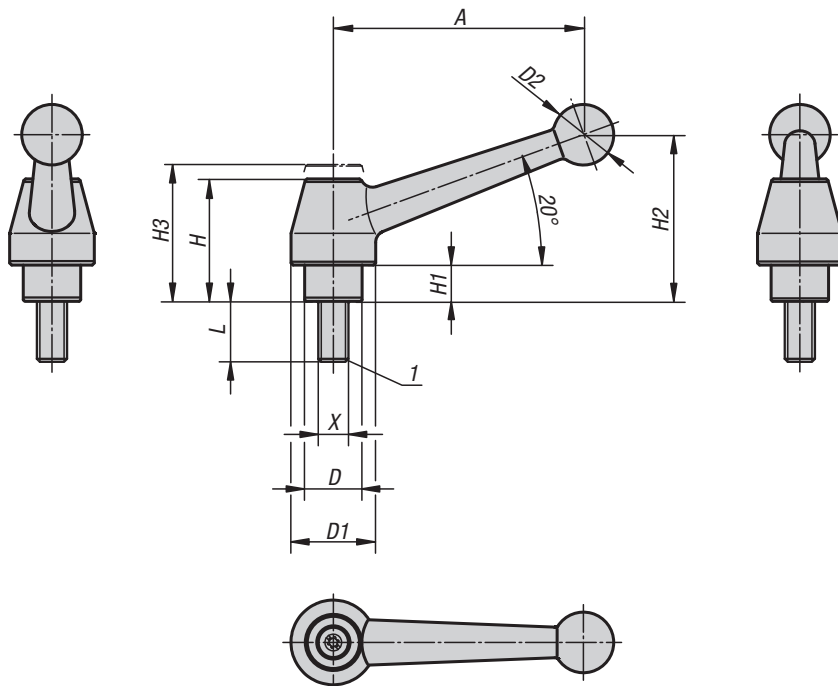
Item No.	Base material	Size	X	T	D	D1	D2	H	H1	H2	H3	A	No. of teeth
K0120.108	Steel	1	M8	17	19	28	20	41	12	54	49	83	24
K0120.110	Steel	1	M10	17	19	28	20	41	12	54	49	83	24
K0120.112	Steel	1	M12	17	19	28	20	41	12	54	49	83	24
K0120.212	Steel	2	M12	23	23	35	25	50	12	69	56	108	26
K0120.216	Steel	2	M16	23	23	35	25	50	12	69	56	108	26
K0120.316	Steel	3	M16	27	30	43	30	58,5	12	78	65	132	36
K0120.320	Steel	3	M20	27	30	43	30	58,5	12	78	65	132	36

Adjustable Handles

Classic Ball Style, Steel, external thread

INCH
Parts

METRIC
Parts



Material:

Handle 1.0401.

All other steel parts quality class 5.8.

Type:

Handle painted silver-gray with hammertone finish, steel parts black oxide finish.

Part Number Example:

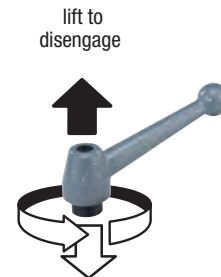
K0120.1A4X20
(include length L)

On request:

Other external threads, screw lengths and special versions.
Dimension "H1" can be produced in other lengths at an additional charge.

Drawing reference:

1) flat point DIN 78



KIPP Adjustable Handles, Classic Ball Style, with external thread, inch

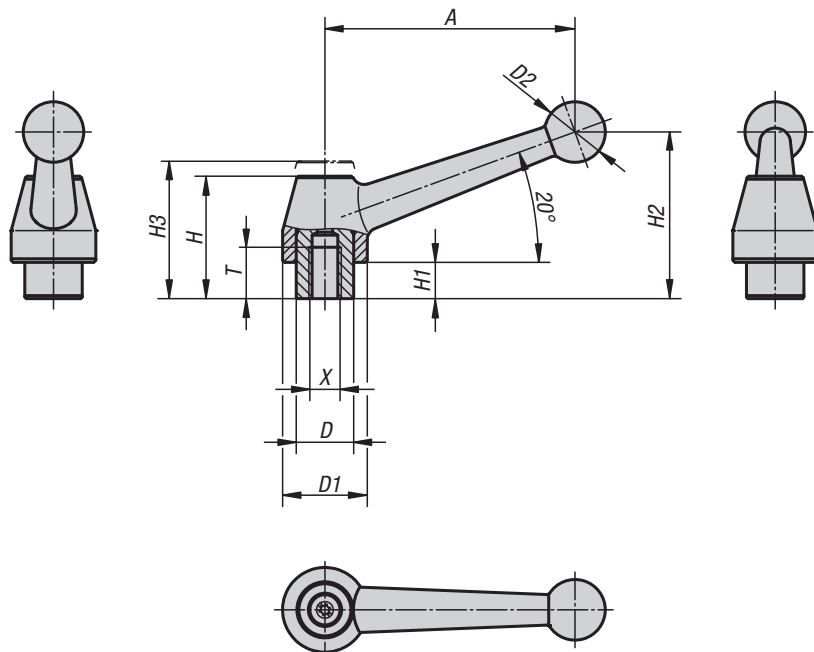
Item No.	Base material	Size	X	D	D1	D2	H	H1	H2	H3	A	No. of teeth	L
K0120.1A4X	Steel	1	3/8-16	19	28	20	41	12	54	49	83	24	20/30/40/45/50/60
K0120.1A5X	Steel	1	1/2-13	19	28	20	41	12	54	49	83	24	20/30/40/45/50/60
K0120.2A5X	Steel	2	1/2-13	23	35	25	50	12	69	56	108	26	25/30/40/45/50/60
K0120.2A6X	Steel	2	5/8-11	23	35	25	50	12	69	56	108	26	25/30/40/45/50/60
K0120.3A6X	Steel	3	5/8-11	30	43	30	58.5	12	78	65	132	36	30/40/50/60
K0120.3A7X	Steel	3	3/4-10	30	43	30	58.5	12	78	65	132	36	30/40/50/60

KIPP Adjustable Handles, Classic Ball Style, with external thread, metric

Item No.	Base material	Size	X	D	D1	D2	H	H1	H2	H3	A	No. of teeth	L
K0120.110X	Steel	1	M10	19	28	20	41	12	54	49	83	24	20/25/30/35/40/45/50/55/60/70/80/90
K0120.112X	Steel	1	M12	19	28	20	41	12	54	49	83	24	20/25/30/35/40/45/50/55/60/70/80/90
K0120.212X	Steel	2	M12	23	35	25	50	12	69	56	108	26	25/30/35/40/45/50/55/60/70/80/90
K0120.216X	Steel	2	M16	23	35	25	50	12	69	56	108	26	25/30/35/40/45/50/55/60/70/80/90
K0120.316X	Steel	3	M16	30	43	30	58,5	12	78	65	132	36	30/40/50/60/70/80/90
K0120.320X	Steel	3	M20	30	43	30	58,5	12	78	65	132	36	30/40/50/60/70/80/90

Adjustable Handles

Classic Ball Style, Stainless steel components, internal thread



Material:

Handle in stainless steel 1.4308;
all other steel parts stainless steel 1.4305

Type:

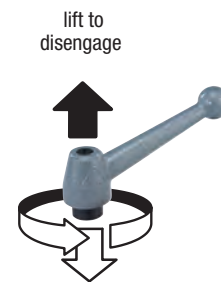
Handle in stainless steel electrolytic-polish.
Steel parts natural finish.

Part Number Example:

K0121.11A3

On request:

Other internal threads and special versions.
Dimension "H1" can be produced in other lengths at an additional charge.



KIPP Adjustable Handles, Classic Ball Style, with internal thread, inch

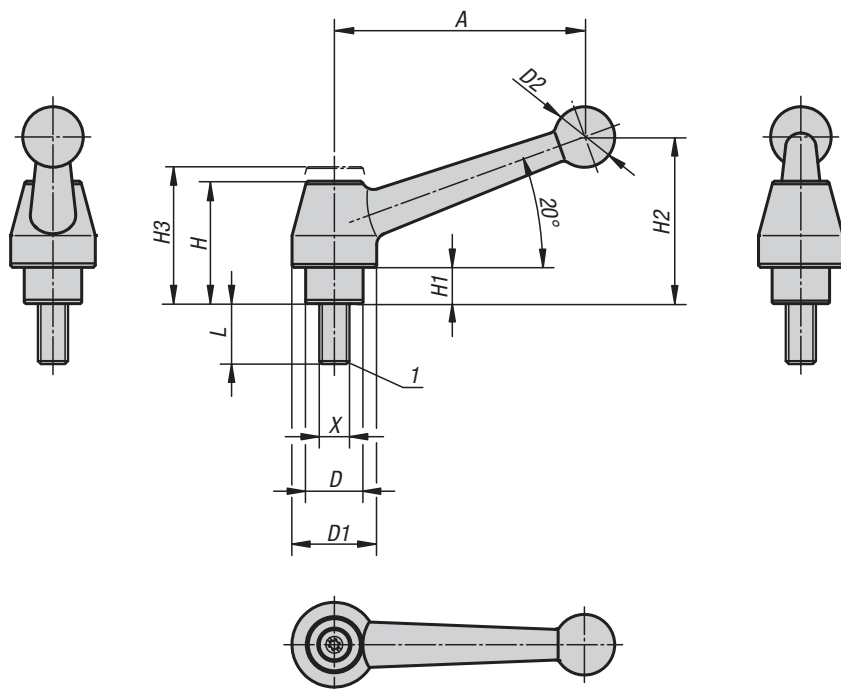
Item No.	Base material	Size	X	T	D	D1	D2	H	H1	H2	H3	A	No. of teeth
K0121.11A3	Stainless steel	1	5/16-18	17	19	28	20	41	12	54	49	83	24
K0121.11A4	Stainless steel	1	3/8-16	17	19	28	20	41	12	54	49	83	24
K0121.11A5	Stainless steel	1	1/2-13	17	19	28	20	41	12	54	49	83	24

KIPP Adjustable Handles, Classic Ball Style, with internal thread, metric

Item No.	Base material	Size	X	T	D	D1	D2	H	H1	H2	H3	A	No. of teeth
K0121.1108	Stainless steel	1	M8	17	19	28	20	41	12	54	49	83	24
K0121.1110	Stainless steel	1	M10	17	19	28	20	41	12	54	49	83	24
K0121.1112	Stainless steel	1	M12	17	19	28	20	41	12	54	49	83	24

Adjustable Handles

Classic Ball Style, Stainless steel components, external thread



Material:

Handle in stainless steel 1.4308;
all other steel parts stainless steel 1.4305

Type:

Handle in stainless steel electrolytic-polish.
Steel parts natural finish.

Part Number Example:

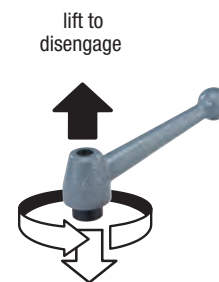
K0121.11A4X20
(include length L)

On request:

Other external threads, screw lengths and special versions.
Dimension "H1" can be produced in other lengths at an additional charge.

Drawing reference:

1) flat point DIN 78



KIPP Adjustable Handles, Classic Ball Style, with external thread, inch

Item No.	Base material	Size	X	D	D1	D2	H	H1	H2	H3	A	No. of teeth	L
K0121.11A4X	Stainless steel	1	3/8-16	19	28	20	41	12	54	49	83	24	20/30/40/45/50/60
K0121.11A5X	Stainless steel	1	1/2-13	19	28	20	41	12	54	49	83	24	20/30/40/45/50/60

KIPP Adjustable Handles, Classic Ball Style, with external thread, metric

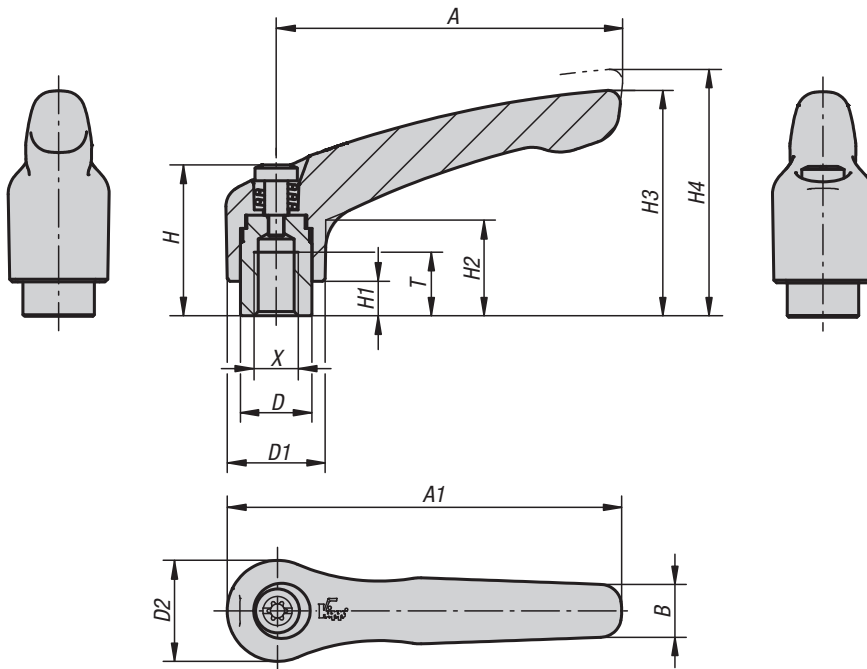
Item No.	Base material	Size	X	D	D1	D2	H	H1	H2	H3	A	No. of teeth	L
K0121.1110X	Stainless steel	1	M10	19	28	20	41	12	54	49	83	24	25/30/40/50/60
K0121.1112X	Stainless steel	1	M12	19	28	20	41	12	54	49	83	24	25/30/40/50/60

Adjustable Handles steel

internal thread

INCH Parts METRIC Parts

New Item



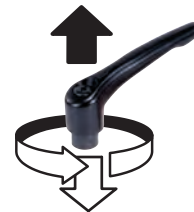
Material:
Handle 1.0401.
All other steel parts quality class 5.8.

Type:
Handle powder-coated, fine-textured structure.
Steel parts black oxidized.

Part Number Example:
K0752.1051

Note:
Standard colors are:
black or red RAL 3003.

lift to
disengage



Adjustable Handles steel

internal thread



KIPP Adjustable Handles with internal thread, steel, inch

Item No. black	Item No. Ruby red RAL 3003	Size	X	T	D	D1	D2	H	H1	H2	H3	H4	A	A1	B	No. of teeth
K0752.1AE1	K0752.1AE27	1	8-32	9	10	13	14	24,5	4	14,5	31	34	40	47	7	16
K0752.1A01	K0752.1A027	1	10-24	9	10	13	14	24,5	4	14,5	31	34	40	47	7	16
K0752.1A11	K0752.1A127	1	10-32	9	10	13	14	24,5	4	14,5	31	34	40	47	7	16
K0752.1A21	K0752.1A227	1	1/4-20	9	10	13	14	24,5	4	14,5	31	34	40	47	7	16
K0752.2A21	K0752.2A227	2	1/4-20	12	13,5	18,5	19	28,5	6,5	17,5	42,5	45,5	65	74,5	9,5	20
K0752.2A31	K0752.2A327	2	5/16-18	12	13,5	18,5	19	28,5	6,5	17,5	42,5	45,5	65	74,5	9,5	20
K0752.3A31	K0752.3A327	3	5/16-18	14	16	21	22	37	10	24	54,5	58,5	80	91	11	22
K0752.3A41	K0752.3A427	3	3/8-16	14	16	21	22	37	10	24	54,5	58,5	80	91	11	22
K0752.4A41	K0752.4A427	4	3/8-16	17	19	27	27,5	43	10	27	63	67,5	95	109	13	24
K0752.4A51	K0752.4A527	4	1/2-13	17	19	27	27,5	43	10	27	63	67,5	95	109	13	24
K0752.5A51	K0752.5A527	5	1/2-13	23	23	31	32	49	12	31,5	73	77,5	110	126	15	26
K0752.5A61	K0752.5A627	5	5/8-11	23	23	31	32	49	12	31,5	73	77,5	110	126	15	26

KIPP Adjustable Handles with internal thread, steel, metric

Item No. black	Item No. Ruby red RAL 3003	Size	X	T	D	D1	D2	H	H1	H2	H3	H4	A	A1	B	No. of teeth
K0752.1041	K0752.10427	1	M4	9	10	13	14	24,5	4	14,5	31	34	40	47	7	16
K0752.1051	K0752.10527	1	M5	9	10	13	14	24,5	4	14,5	31	34	40	47	7	16
K0752.1061	K0752.10627	1	M6	9	10	13	14	24,5	4	14,5	31	34	40	47	7	16
K0752.2061	K0752.20627	2	M6	12	13,5	18,5	19	28,5	6,5	17,5	42,5	45,5	65	74,5	10	20
K0752.2081	K0752.20827	2	M8	12	13,5	18,5	19	28,5	6,5	17,5	42,5	45,5	65	74,5	10	20
K0752.3081	K0752.30827	3	M8	14	16	21	22	37	10	24	54,5	58,5	80	91	11	22
K0752.3101	K0752.31027	3	M10	14	16	21	22	37	10	24	54,5	58,5	80	91	11	22
K0752.4101	K0752.41027	4	M10	17	19	27	27,5	43	10	27	63	67,5	95	109	13	24
K0752.4121	K0752.41227	4	M12	17	19	27	27,5	43	10	27	63	67,5	95	109	13	24
K0752.5121	K0752.51227	5	M12	23	23	31	32	49	12	31,5	73	77,5	110	126	15	26
K0752.5161	K0752.51627	5	M16	23	23	31	32	49	12	31,5	73	77,5	110	126	15	26

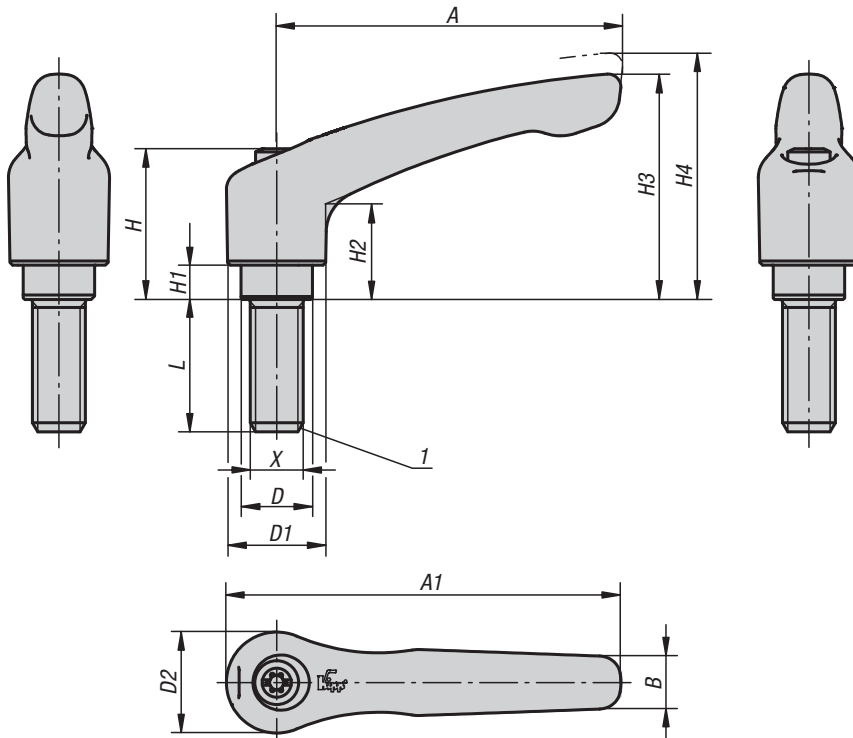
Adjustable Handles steel

external thread

INCH
Parts

METRIC
Parts

New Item



Material:

Handle 1.0401.
All other steel parts quality class 5.8.

Type:

Handle powder-coated, fine-textured structure.
Steel parts black oxidized.

Part Number Example:

K0752.1051X20

Note:

Standard colors are:
black or red RAL 3003.

Drawing reference:

1) flat point DIN 78

lift to
disengage



Adjustable Handles steel

external thread



KIPP Measurements, external thread

Size	X	D	D1	D2	H	H1	H2	H3	H4	A	A1	B	No. of teeth
1	10-24 ; M5	10	13	14	24,5	4	14,5	31	34	40	47	7	16
1	10-32 ; 1/4-20 ; M6	10	13	14	24,5	4	14,5	31	34	40	47	7	16
2	1/4-20 ; M6	13,5	18,5	19	28,5	6,5	17,5	42,5	45,5	65	74,5	9,5	20
2	5/16-18 ; M8	13,5	18,5	19	28,5	6,5	17,5	42,5	45,5	65	74,5	9,5	20
2	3/8-16 ; M10	13,5	18,5	19	28,5	6,5	17,5	42,5	45,5	65	74,5	9,5	20
3	5/16-18 ; M8	16	21	22	37	10	24	54,5	58,5	80	91	11	22
3	3/8-16 ; M10	16	21	22	37	10	24	54,5	58,5	80	91	11	22
4	3/8-16 ; M10	19	27	27,5	43	10	27	63	67,5	95	109	13	24
4	1/2-13 ; M12	19	27	27,5	43	10	27	63	67,5	95	109	13	24
5	1/2-13 ; M12	23	31	32	49	12	31,5	73	77,5	110	126	15	26
5	5/8-11 ; M16	23	31	32	49	12	31,5	73	77,5	110	126	15	26

KIPP Adjustable Handles with external thread, steel, inch

Item No. black	Item No. Ruby red RAL 3003	Size	X	L
K0752.1A01X10	K0752.1A027X10	1	10-24	10/15/20/25/30/35/40/45/50
K0752.1A11X10	K0752.1A127X10	1	10-32	10/15/20/25/30/35/40/45/50
K0752.1A21X10	K0752.1A227X10	1	1/4-20	10/15/20/25/30/35/40/45/50
K0752.2A21X15	K0752.2A227X15	2	1/4-20	15/20/25/30/35/40/45/50/55/60
K0752.2A31X15	K0752.2A327X15	2	5/16-18	15/20/25/30/35/40/45/50/55/60
K0752.2A41X15	K0752.2A427X15	2	3/8-16	15/20/25/30/35/40/45/50/55/60
K0752.3A31X15	K0752.3A327X15	3	5/16-18	15/20/25/30/35/40/45/50/55/60
K0752.3A41X15	K0752.3A427X15	3	3/8-16	15/20/25/30/35/40/45/50/55/60
K0752.4A41X20	K0752.4A427X20	4	3/8-16	20/25/30/35/40/45/50/55/60/70/80/90
K0752.4A51X20	K0752.4A527X20	4	1/2-13	20/25/30/35/40/45/50/55/60/70/80/90
K0752.5A51X25	K0752.5A527X25	5	1/2-13	25/30/35/40/45/50/55/60/70/80/90
K0752.5A61X25	K0752.5A627X25	5	5/8-11	25/30/35/40/45/50/55/60/70/80/90

KIPP Adjustable Handles with external thread, steel, metric

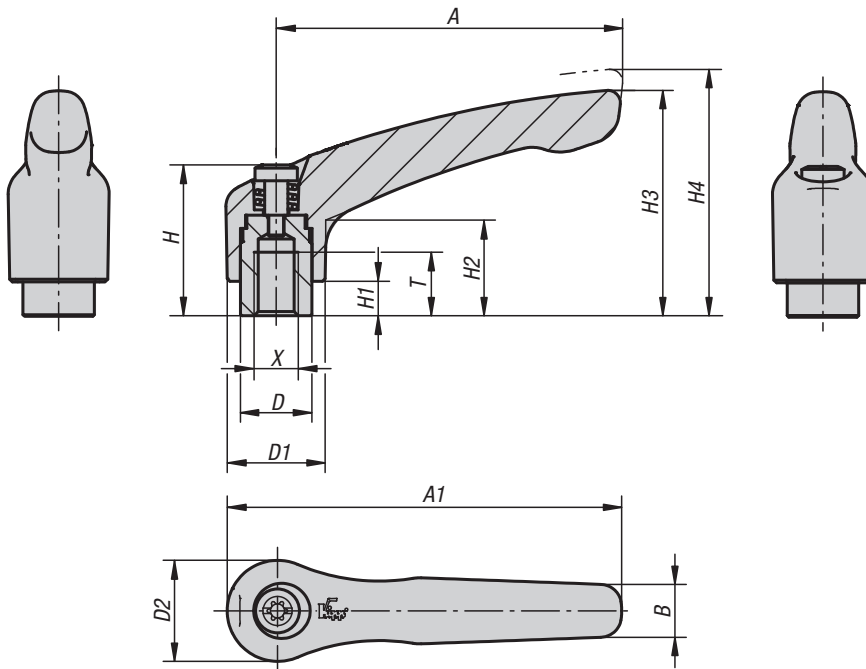
Item No. black	Item No. Ruby red RAL 3003	Size	X	L
K0752.1051X	K0752.10527X	1	M5	10/15/20/25/30/35/40/45/50
K0752.1061X	K0752.10627X	1	M6	10/15/20/25/30/35/40/45/50
K0752.2061X	K0752.20627X	2	M6	15/20/25/30/35/40/45/50/55/60
K0752.2081X	K0752.20827X	2	M8	15/20/25/30/35/40/45/50/55/60
K0752.2101X	K0752.21027X	2	M10	15/20/25/30/35/40/45/50/55/60
K0752.3081X	K0752.30827X	3	M8	15/20/25/30/35/40/45/50/55/60
K0752.3101X	K0752.31027X	3	M10	15/20/25/30/35/40/45/50/55/60
K0752.4101X	K0752.41027X	4	M10	20/25/30/35/40/45/50/55/60/70/80/90
K0752.4121X	K0752.41227X	4	M12	20/25/30/35/40/45/50/55/60/70/80/90
K0752.5121X	K0752.51227X	5	M12	25/30/35/40/45/50/55/60/70/80/90
K0752.5161X	K0752.51627X	5	M16	25/30/35/40/45/50/55/60/70/80/90

Adjustable Handles

Modern Design Style, Zinc, inserts and internal components in steel, internal thread



INCH Parts
METRIC Parts



Material:
Handle die-cast zinc DIN EN 12844.
Steel parts quality class 5.8.

Type:
Handle powder-coated, except high-polished chromium plated versions, steel parts black oxide finish

Part Number Example:
K0122.OAD1
(handle color black satin finish)

Note:
Δ Add the desired lever color here.
Standard colors are:
black satin finish, orange RAL 2004, ruby red RAL 3003, silver metallic, high gloss chromate.

On request:
Other internal threads, colors and special versions.
Dimension "H1" can be produced in other lengths at an additional charge.



black satin finish Δ = 1	orange Δ = 2 RAL 2004	ruby red Δ = 27 RAL 3003	silver metallic Δ = 3	high-polish chromium-plated Δ = 6
--------------------------	--------------------------	-----------------------------	-----------------------	-----------------------------------

Adjustable Handles

Modern Design Style, Zinc, inserts and internal components in steel, internal thread



KIPP Adjustable Handles, Modern Design Style, Zinc, with internal thread, components in steel, inch

Item No.	Size	X	T	D	D1	D2	H	H1	H2	H3	H4	A	A1	B	No. of teeth
K0122.0A0Δ	0	6-32	9	10	13	14	24.5	4	14,5	30	33	30	37	7	16
K0122.0A1Δ	0	8-32	9	10	13	14	24.5	4	14,5	30	33	30	37	7	16
K0122.0A0Δ	0	10-24	9	10	13	14	24.5	4	14,5	30	33	30	37	7	16
K0122.0A1Δ	0	10-32	9	10	13	14	24.5	4	14,5	30	33	30	37	7	16
K0122.0A2Δ	0	1/4-20	9	10	13	14	24.5	4	14,5	30	33	30	37	7	16
K0122.1A0Δ	1	8-32	9	10	13	14	24.5	4	14,5	31	34	40	47	7	16
K0122.1A1Δ	1	10-24	9	10	13	14	24.5	4	14,5	31	34	40	47	7	16
K0122.1A1Δ	1	10-32	9	10	13	14	24.5	4	14,5	31	34	40	47	7	16
K0122.1A2Δ	1	1/4-20	9	10	13	14	24.5	4	14,5	31	34	40	47	7	16
K0122.2A2Δ	2	1/4-20	12	13,5	18,5	19	28.5	6,5	17,5	42,5	45,5	65	74,5	9,5	20
K0122.2A3Δ	2	5/16-18	12	13,5	18,5	19	28.5	6,5	17,5	42,5	45,5	65	74,5	9,5	20
K0122.3A3Δ	3	5/16-18	14	16	21	22	37	10	24	54,5	58,5	80	91	11	22
K0122.3A4Δ	3	3/8-16	14	16	21	22	37	10	24	54,5	58,5	80	91	11	22
K0122.4A4Δ	4	3/8-16	17	19	27	27,5	43	10	27	63	67,5	95	109	13	24
K0122.4A5Δ	4	1/2-13	17	19	27	27,5	43	10	27	63	67,5	95	109	13	24
K0122.5A5Δ	5	1/2-13	23	23	31	32	49	12	31,5	73	77,5	110	126	15	26
K0122.5A6Δ	5	5/8-11	23	23	31	32	49	12	31,5	73	77,5	110	126	15	26

KIPP Adjustable Handles, Modern Design Style, Zinc, with internal thread, components in steel, metric

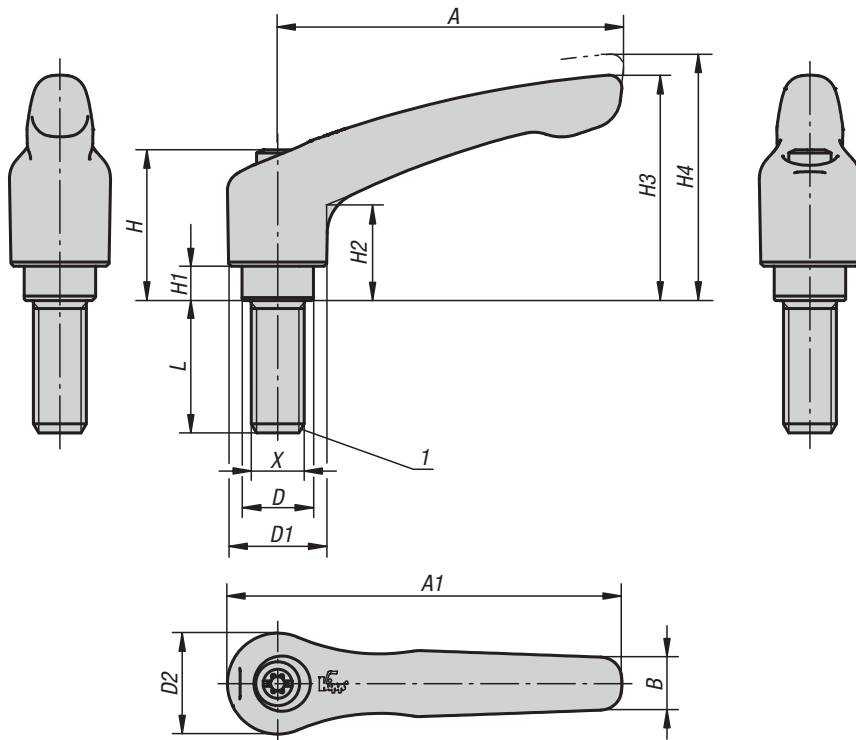
Item No.	Size	X	T	D	D1	D2	H	H1	H2	H3	H4	A	A1	B	No. of teeth
K0122.003Δ	0	M3	9	10	13	14	24,5	4	14,5	30	33	30	37	7	16
K0122.004Δ	0	M4	9	10	13	14	24,5	4	14,5	30	33	30	37	7	16
K0122.005Δ	0	M5	9	10	13	14	24,5	4	14,5	30	33	30	37	7	16
K0122.104Δ	1	M4	9	10	13	14	24,5	4	14,5	31	34	40	47	7	16
K0122.105Δ	1	M5	9	10	13	14	24,5	4	14,5	31	34	40	47	7	16
K0122.106Δ	1	M6	9	10	13	14	24,5	4	14,5	31	34	40	47	7	16
K0122.206Δ	2	M6	12	13,5	18,5	19	28,5	6,5	17,5	42,5	45,5	65	74,5	9,5	20
K0122.208Δ	2	M8	12	13,5	18,5	19	28,5	6,5	17,5	42,5	45,5	65	74,5	9,5	20
K0122.308Δ	3	M8	14	16	21	22	37	10	24	54,5	58,5	80	91	11	22
K0122.310Δ	3	M10	14	16	21	22	37	10	24	54,5	58,5	80	91	11	22
K0122.410Δ	4	M10	17	19	27	27,5	43	10	27	63	67,5	95	109	13	24
K0122.412Δ	4	M12	17	19	27	27,5	43	10	27	63	67,5	95	109	13	24
K0122.512Δ	5	M12	23	23	31	32	49	12	31,5	73	77,5	110	126	15	26
K0122.516Δ	5	M16	23	23	31	32	49	12	31,5	73	77,5	110	126	15	26

Adjustable Handles

Modern Design Style, Zinc, bolts and internal components in steel, external thread



INCH Parts METRIC Parts



Material:

Handle die-cast zinc DIN EN 12844.
Steel parts quality class 5.8.

Type:

Handle powder-coated, except high-polished chromium plated versions, steel parts black oxide finish

Part Number Example:

K0122.0AE1X10
(handle color black satin finish;
include length L)

Note:

Δ Add the desired handle color here

On request:

Other external threads, screw lengths, colors and special versions.
Dimension "H1" can be produced in other lengths at an additional charge.

Drawing reference:

1) flat point DIN 78



black satin finish Δ = 1 	orange Δ = 2 RAL 2004 	ruby red Δ = 27 RAL 3003 	silver metallic Δ = 3 	high-polish chromium-plated Δ = 6 
---	---	--	--	--

Adjustable Handles

Modern Design Style, Zinc, bolts and internal components in steel, external thread



KIPP Adjustable Handles, Modern Design Style, Zinc, with external thread, components in steel, inch

Item No.	Size	X	D	D1	D2	H	H1	H2	H3	H4	A	A1	B	No. of teeth	L
K0122.0AEΔX	0	8-32	10	13	14	24,5	4	14,5	30	33	30	37	7	16	10/15/20/25/30/35/40/45/50
K0122.0A0ΔX	0	10-24	10	13	14	24,5	4	14,5	30	33	30	37	7	16	10/15/20/25/30/35/40/45/50
K0122.0A1ΔX	0	10-32	10	13	14	24,5	4	14,5	30	33	30	37	7	16	10/15/20/25/30/35/40/45/50
K0122.0A2ΔX	0	1/4-20	10	13	14	24,5	4	14,5	30	33	30	37	7	16	10/15/20/25/30/35/40/45/50
K0122.1A0ΔX	1	10-24	10	13	14	24,5	4	14,5	31	34	40	47	7	16	10/15/20/25/30/35/40/45/50
K0122.1A1ΔX	1	10-32	10	13	14	24,5	4	14,5	31	34	40	47	7	16	10/15/20/25/30/35/40/45/50
K0122.1A2ΔX	1	1/4-20	10	13	14	24,5	4	14,5	31	34	40	47	7	16	10/15/20/25/30/35/40/45/50
K0122.2A2ΔX	2	1/4-20	13,5	18,5	19	28,5	6,5	17,5	42,5	45,5	65	74,5	9,5	20	15/20/25/30/35/40/45/50/55/60
K0122.2A3ΔX	2	5/16-18	13,5	18,5	19	28,5	6,5	17,5	42,5	45,5	65	74,5	9,5	20	15/20/25/30/35/40/45/50/55/60
K0122.2A4ΔX	2	3/8-16	13,5	18,5	19	28,5	6,5	17,5	42,5	45,5	65	74,5	9,5	20	15/20/25/30/35/40/45/50/55/60
K0122.3A3ΔX	3	5/16-18	16	21	22	37	10	24	54,5	58,5	80	91	11	22	15/20/25/30/35/40/45/50/55/60
K0122.3A4ΔX	3	3/8-16	16	21	22	37	10	24	54,5	58,5	80	91	11	22	15/20/25/30/35/40/45/50/55/60
K0122.4A4ΔX	4	3/8-16	19	27	27,5	43	10	27	63	67,5	95	109	13	24	20/25/30/35/40/45/50/55/60/70/80/90
K0122.4A5ΔX	4	1/2-13	19	27	27,5	43	10	27	63	67,5	95	109	13	24	20/25/30/35/40/45/50/55/60/70/80/90
K0122.5A5ΔX	5	1/2-13	23	31	32	49	12	31,5	73	77,5	110	126	15	26	25/30/35/40/45/50/55/60/70/80/90
K0122.5A6ΔX	5	5/8-11	23	31	32	49	12	31,5	73	77,5	110	126	15	26	25/30/35/40/45/50/55/60/70/80/90

KIPP Adjustable Handles, Modern Design Style, Zinc, with external thread, components in steel, metric

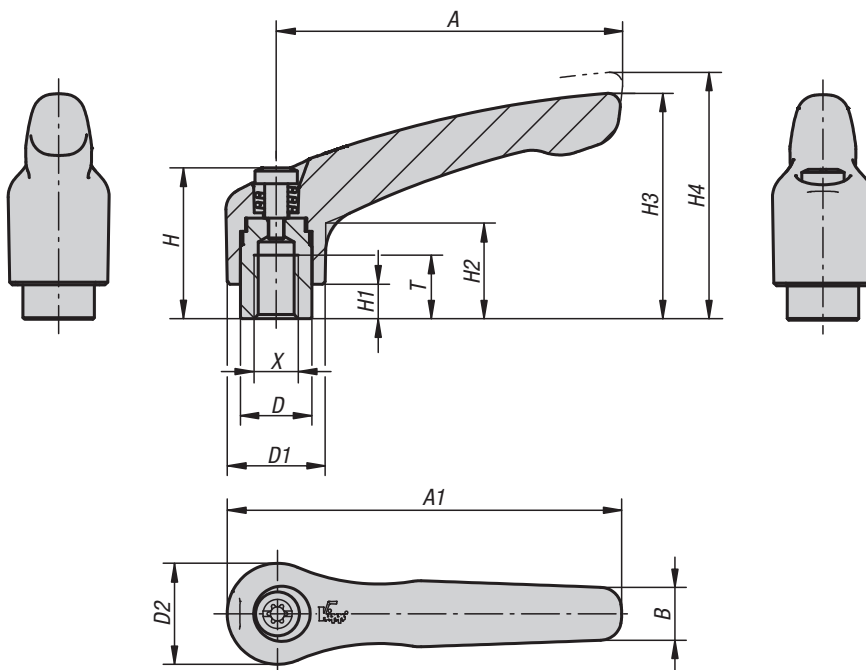
Item No.	Size	X	D	D1	D2	H	H1	H2	H3	H4	A	A1	B	No. of teeth	L
K0122.004ΔX	0	M4	10	13	14	24,5	4	14,5	30	33	30	37	7	16	10/15/20/25/30/35/40/45/50
K0122.005ΔX	0	M5	10	13	14	24,5	4	14,5	30	33	30	37	7	16	10/15/20/25/30/35/40/45/50
K0122.105ΔX	1	M5	10	13	14	24,5	4	14,5	31	34	40	47	7	16	10/15/20/25/30/35/40/45/50
K0122.106ΔX	1	M6	10	13	14	24,5	4	14,5	31	34	40	47	7	16	10/15/20/25/30/35/40/45/50
K0122.206ΔX	2	M6	13,5	18,5	19	28,5	6,5	17,5	42,5	45,5	65	74,5	9,5	20	15/20/25/30/35/40/45/50/55/60
K0122.208ΔX	2	M8	13,5	18,5	19	28,5	6,5	17,5	42,5	45,5	65	74,5	9,5	20	15/20/25/30/35/40/45/50/55/60
K0122.210ΔX	2	M10	13,5	18,5	19	28,5	6,5	17,5	42,5	45,5	65	74,5	9,5	20	15/20/25/30/35/40/45/50/55/60
K0122.308ΔX	3	M8	16	21	22	37	10	24	54,5	58,5	80	91	11	22	15/20/25/30/35/40/45/50/55/60
K0122.310ΔX	3	M10	16	21	22	37	10	24	54,5	58,5	80	91	11	22	15/20/25/30/35/40/45/50/55/60
K0122.410ΔX	4	M10	19	27	27,5	43	10	27	63	67,5	95	109	13	24	20/25/30/35/40/45/50/55/60/70/80/90
K0122.412ΔX	4	M12	19	27	27,5	43	10	27	63	67,5	95	109	13	24	20/25/30/35/40/45/50/55/60/70/80/90
K0122.512ΔX	5	M12	23	31	32	49	12	31,5	73	77,5	110	126	15	26	25/30/35/40/45/50/55/60/70/80/90
K0122.516ΔX	5	M16	23	31	32	49	12	31,5	73	77,5	110	126	15	26	25/30/35/40/45/50/55/60/70/80/90

Adjustable Handles

Modern Design Style, Zinc, inserts and internal components stainless steel, internal thread



INCH Parts
METRIC Parts



Material:

Handle die-cast zinc DIN EN 12844.
Steel parts stainless steel 1.4305.

Type:

Handle powder-coated, except high-polished chromium plated versions, steel parts natural finish

Part Number Example:

K0123.0AD1
(handle color black satin finish)

Note:

Δ Add the desired handle color here

On request:

Other internal threads, colors and special versions.
Dimension "H1" can be produced in other lengths at an additional charge.



black satin finish Δ = 1 	orange Δ = 2 RAL 2004 	ruby red Δ = 27 RAL 3003 	silver metallic Δ = 3 	high-polish chromium-plated Δ = 6 
---	---	--	--	--

Adjustable Handles

Modern Design Style, Zinc, inserts and internal components stainless steel, internal thread



KIPP Adjustable Handles, Modern Design Style, Zinc, with internal thread, components in stainless steel, inch

Item No.	Size	X	T	D	D1	D2	H	H1	H2	H3	H4	A	A1	B	No. of teeth
K0123.0A0Δ	0	6-32	9	10	13	14	24,5	4	14,5	30	33	30	37	7	16
K0123.0AEΔ	0	8-32	9	10	13	14	24,5	4	14,5	30	33	30	37	7	16
K0123.0A0Δ	0	10-24	9	10	13	14	24,5	4	14,5	30	33	30	37	7	16
K0123.0A1Δ	0	10-32	9	10	13	14	24,5	4	14,5	30	33	30	37	7	16
K0123.0A2Δ	0	1/4-20	9	10	13	14	24,5	4	14,5	30	33	30	37	7	16
K0123.1A0Δ	1	10-24	9	10	13	14	24,5	4	14,5	31	34	40	47	7	16
K0123.1A1Δ	1	10-32	9	10	13	14	24,5	4	14,5	31	34	40	47	7	16
K0123.1A2Δ	1	1/4-20	9	10	13	14	24,5	4	14,5	31	34	40	47	7	16
K0123.2A2Δ	2	1/4-20	12	13,5	18,5	19	28,5	6,5	17,5	42,5	45,5	65	74,5	9,5	20
K0123.2A3Δ	2	5/16-18	12	13,5	18,5	19	28,5	6,5	17,5	42,5	45,5	65	74,5	9,5	20
K0123.3A3Δ	3	5/16-18	14	16	21	22	37	10	24	54,5	58,5	80	91	11	22
K0123.3A4Δ	3	3/8-16	14	16	21	22	37	10	24	54,5	58,5	80	91	11	22
K0123.4A4Δ	4	3/8-16	17	19	27	27,5	43	10	27	63	67,5	95	109	13	24
K0123.4A5Δ	4	1/2-13	17	19	27	27,5	43	10	27	63	67,5	95	109	13	24
K0123.5A5Δ	5	1/2-13	23	23	31	32	49	12	31,5	73	77,5	110	126	15	26
K0123.5A6Δ	5	5/8-11	23	23	31	32	49	12	31,5	73	77,5	110	126	15	26

KIPP Adjustable Handles, Modern Design Style, Zinc, with internal thread, components in stainless steel, metric

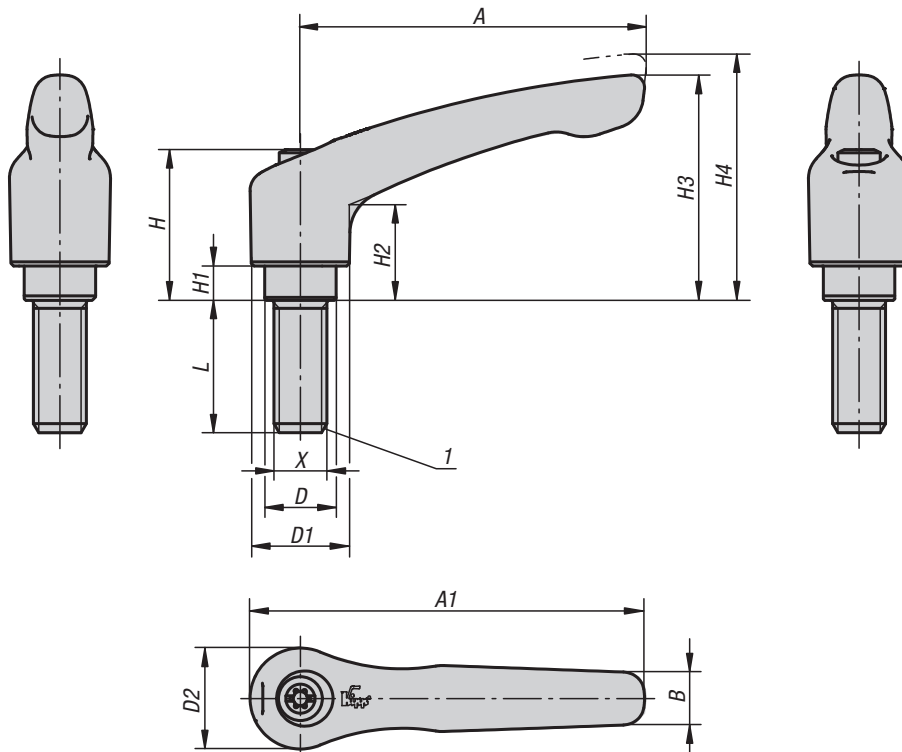
Item No.	Size	X	T	D	D1	D2	H	H1	H2	H3	H4	A	A1	B	No. of teeth
K0123.003Δ	0	M3	9	10	13	14	24,5	4	14,5	30	33	30	37	7	16
K0123.004Δ	0	M4	9	10	13	14	24,5	4	14,5	30	33	30	37	7	16
K0123.005Δ	0	M5	9	10	13	14	24,5	4	14,5	30	33	30	37	7	16
K0123.104Δ	1	M4	9	10	13	14	24,5	4	14,5	31	34	40	47	7	16
K0123.105Δ	1	M5	9	10	13	14	24,5	4	14,5	31	34	40	47	7	16
K0123.106Δ	1	M6	9	10	13	14	24,5	4	14,5	31	34	40	47	7	16
K0123.206Δ	2	M6	12	13,5	18,5	19	28,5	6,5	17,5	42,5	45,5	65	74,5	9,5	20
K0123.208Δ	2	M8	12	13,5	18,5	19	28,5	6,5	17,5	42,5	45,5	65	74,5	9,5	20
K0123.308Δ	3	M8	14	16	21	22	37	10	24	54,5	58,5	80	91	11	22
K0123.310Δ	3	M10	14	16	21	22	37	10	24	54,5	58,5	80	91	11	22
K0123.410Δ	4	M10	17	19	27	27,5	43	10	27	63	67,5	95	109	13	24
K0123.412Δ	4	M12	17	19	27	27,5	43	10	27	63	67,5	95	109	13	24
K0123.512Δ	5	M12	23	23	31	32	49	12	31,5	73	77,5	110	126	15	26
K0123.516Δ	5	M16	23	23	31	32	49	12	31,5	73	77,5	110	126	15	26

Adjustable Handles

Modern Design Style, Zinc, bolts and internal components in stainless steel, external thread



INCH Parts METRIC Parts



Material:

Handle die-cast zinc DIN EN 12844.
Steel parts stainless steel 1.4305.

Type:

Handle powder-coated, except high-polished chromium plated versions, steel parts natural finish

Part Number Example:

K0123.0AE1X10
(handle color black satin finish;
include length L)

Note:

Δ Add the desired handle color here

On request:

Other external threads, screw lengths, colors and special versions.
Dimension „H1“ can be produced in other lengths at an additional charge.

Drawing reference:

1) flat point DIN 78

lift to disengage



black satin finish Δ = 1 	orange Δ = 2 RAL 2004 	ruby red Δ = 27 RAL 3003 	silver metallic Δ = 3 	high-polish chromium-plated Δ = 6 
---	---	--	--	--

Adjustable Handles

Modern Design Style, Zinc, bolts and internal components in stainless steel, external thread



KIPP Adjustable Handles, Modern Design Style, Zinc, with external thread, components in stainless steel, inch

Item No.	Size	X	D	D1	D2	H	H1	H2	H3	H4	A	A1	B	No. of teeth	L
K0123.0AEΔX	0	8-32	10	13	14	24,5	4	14,5	30	33	30	37	7	16	10/15/20/25
K0123.0A0ΔX	0	10-24	10	13	14	24,5	4	14,5	30	33	30	37	7	16	10/15/20/25
K0123.0A1ΔX	0	10-32	10	13	14	24,5	4	14,5	30	33	30	37	7	16	10/15/20/25
K0123.0A2ΔX	0	1/4-20	10	13	14	24,5	4	14,5	30	33	30	37	7	16	10/15/20/25/30/40/50
K0123.1A0ΔX	1	10-24	10	13	14	24,5	4	14,5	31	34	40	47	7	16	15/20/25
K0123.1A1ΔX	1	10-32	10	13	14	24,5	4	14,5	31	34	40	47	7	16	15/20/25
K0123.1A2ΔX	1	1/4-20	10	13	14	24,5	4	14,5	31	34	40	47	7	16	10/15/20/25/30/40/50
K0123.2A2ΔX	2	1/4-20	13,5	18,5	19	28,5	6,5	17,5	42,5	45,5	65	74,5	9,5	20	15/20/25/30/40/50/60
K0123.2A3ΔX	2	5/16-18	13,5	18,5	19	28,5	6,5	17,5	42,5	45,5	65	74,5	9,5	20	15/20/25/30/40/50/60
K0123.2A4ΔX	2	3/8-16	13,5	18,5	19	28,5	6,5	17,5	42,5	45,5	65	74,5	9,5	20	20/25/30/40/50/60
K0123.3A3ΔX	3	5/16-18	16	21	22	37	10	24	54,5	58,5	80	91	11	22	20/25/30/40/50/60
K0123.3A4ΔX	3	3/8-16	16	21	22	37	10	24	54,5	58,5	80	91	11	22	20/25/30/40/50/60
K0123.4A5ΔX	4	1/2-13	19	27	27,5	43	10	27	63	67,5	95	109	13	24	25/30/40/50/60
K0123.5A6ΔX	5	5/8-11	23	31	32	49	12	31,5	73	77,5	110	126	15	26	30/40/50/60

KIPP Adjustable Handles, Modern Design Style, Zinc, with external thread, components in stainless steel, metric

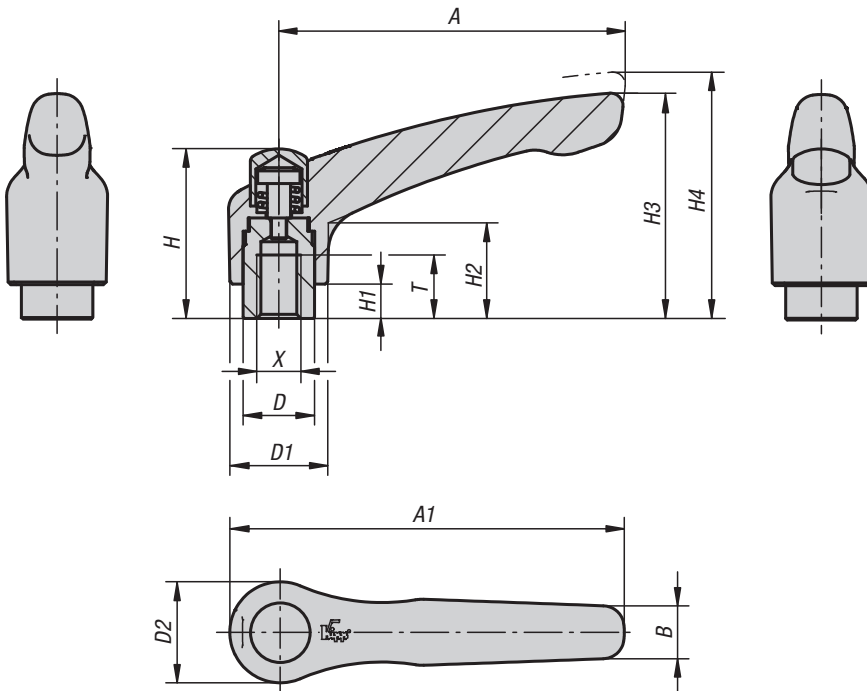
Item No.	Size	X	D	D1	D2	H	H1	H2	H3	H4	A	A1	B	No. of teeth	L
K0123.004ΔX	0	M4	10	13	14	24,5	4	14,5	30	33	30	37	7	16	10/15/20/25
K0123.005ΔX	0	M5	10	13	14	24,5	4	14,5	30	33	30	37	7	16	10/15/20/25
K0123.105ΔX	1	M5	10	13	14	24,5	4	14,5	31	34	40	47	7	16	10/15/20/25
K0123.106ΔX	1	M6	10	13	14	24,5	4	14,5	31	34	40	47	7	16	10/15/20/25/30/40/50
K0123.206ΔX	2	M6	13,5	18,5	19	28,5	6,5	17,5	42,5	45,5	65	74,5	9,5	20	15/20/25/30/40/50/60
K0123.208ΔX	2	M8	13,5	18,5	19	28,5	6,5	17,5	42,5	45,5	65	74,5	9,5	20	15/20/25/30/40/50/60
K0123.210ΔX	2	M10	13,5	18,5	19	28,5	6,5	17,5	42,5	45,5	65	74,5	9,5	20	20/25/30/40/50/60
K0123.308ΔX	3	M8	16	21	22	37	10	24	54,5	58,5	80	91	11	22	20/25/30/40/50/60
K0123.310ΔX	3	M10	16	21	22	37	10	24	54,5	58,5	80	91	11	22	20/25/30/40/50/60
K0123.412ΔX	4	M12	19	27	27,5	43	10	27	63	67,5	95	109	13	24	25/30/40/50/60
K0123.516ΔX	5	M16	23	31	32	49	12	31,5	73	77,5	110	126	15	26	30/40/50/60

Adjustable Handles with protective cap

Modern Design Style, Zinc, inserts and internal components in steel, internal thread



INCH Parts
METRIC Parts



Material:

Handle die-cast zinc DIN EN 12844.
Steel parts quality class 5.8.
Protective cap stainless steel, 1.4305.

Type:

Handle powder-coated;
steel parts black oxide finish;
protective cap in stainless steel, natural finish

Part Number Example:

K0122.92A21

Note:

Standard colors are:
black satin finish, orange RAL 2004.

On request:

Other internal threads, colors and special versions.
Dimension "H1" can be produced in other lengths at an additional charge.

lift to disengage



Adjustable Handles with protective cap

Modern Design Style, Zinc, inserts and internal components in steel, internal thread



KIPP Adjustable Handles with protective cap, Zinc, bolts and internal components in steel, internal thread, inch

Item No. Black satin finish	Item No. Pure orange RAL 2004	Size	X	T	D	D1	D2	H	H1	H2	H3	H4	A	A1	B	No. of teeth
K0122.92A21	K0122.92A22	2	1/4-20	12	13,5	18,5	19	32	6,5	17,5	42,5	45,5	65	74,5	9,5	20
K0122.92A31	K0122.92A32	2	5/16-18	12	13,5	18,5	19	32	6,5	17,5	42,5	45,5	65	74,5	9,5	20
K0122.93A31	K0122.93A32	3	5/16-18	14	16	21	22	41,5	10	24	54,5	58,5	80	91	11	22
K0122.93A41	K0122.93A42	3	3/8-16	14	16	21	22	41,5	10	24	54,5	58,5	80	91	11	22

KIPP Adjustable Handles with protective cap, Zinc, bolts and internal components in steel, internal thread, metric

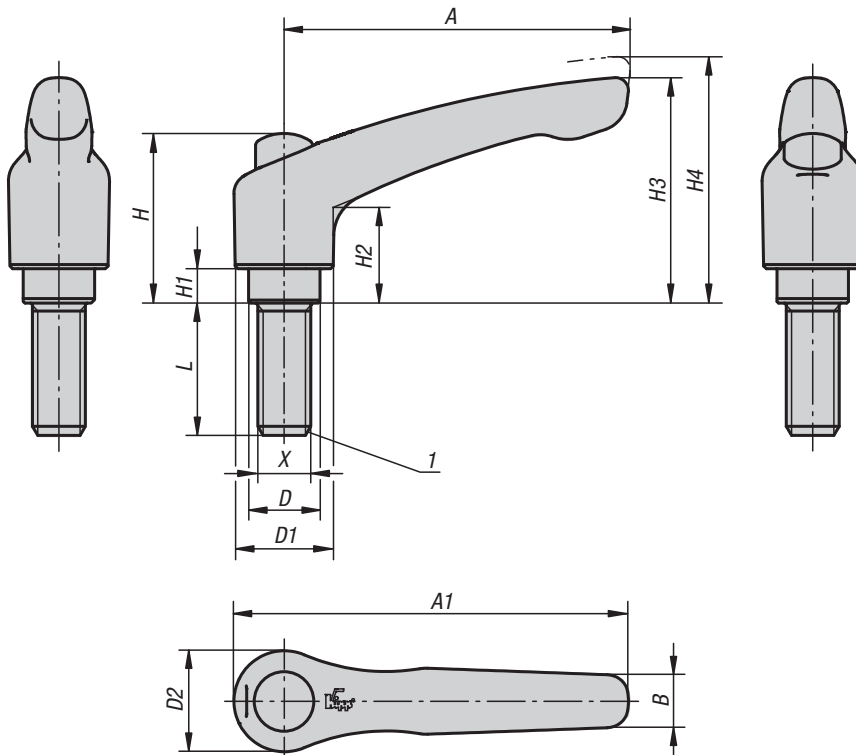
Item No. Black satin finish	Item No. Pure orange RAL 2004	Size	X	T	D	D1	D2	H	H1	H2	H3	H4	A	A1	B	No. of teeth
K0122.92061	K0122.92062	2	M6	12	13,5	18,5	19	32	6,5	17,5	42,5	45,5	65	74,5	9,5	20
K0122.92081	K0122.92082	2	M8	12	13,5	18,5	19	32	6,5	17,5	42,5	45,5	65	74,5	9,5	20
K0122.93081	K0122.93082	3	M8	14	16	21	22	41,5	10	24	54,5	58,5	80	91	11	22
K0122.93101	K0122.93102	3	M10	14	16	21	22	41,5	10	24	54,5	58,5	80	91	11	22

Adjustable Handles with protective cap

Modern Design Style, Zinc, bolts and internal components in steel, external thread



INCH Parts METRIC Parts



Material:

Handle die-cast zinc DIN EN 12844.
Steel parts quality class 5.8.
Protective cap stainless steel, 1.4305.

Type:

Handle powder-coated;
steel parts black oxide finish;
protective cap stainless steel, natural finish

Part Number Example:

K0122.92A21X15
(include length L)

Note:

Standard colors are:
black satin finish, orange RAL 2004.

On request:

Other internal threads, colors and special versions.
Dimension "H1" can be produced in other lengths at an additional charge.

Drawing reference:

1) flat point DIN 78

lift to disengage



Adjustable Handles with protective cap

Modern Design Style, Zinc, bolts and internal components in steel, external thread



KIPP Measurements, external thread

Size	X	D	D1	D2	H	H1	H2	H3	H4	A	A1	B	No. of teeth
2	1/4-20 ; 5/16-18 ; 3/8-16	13,5	18,5	19	32	6,5	17,5	42,5	45,5	65	74,5	9,5	20
3	5/16-18 ; 3/8-16	16	21	22	41,5	10	24	54,5	58,5	80	91	11	22
2	M6 ; M8 ; M10	13,5	18,5	19	32	6,5	17,5	42,5	45,5	65	74,5	9,5	20
3	M8 ; M10	16	21	22	41,5	10	24	54,5	58,5	80	91	11	22

KIPP Adjustable Handles with protective cap, Zinc, bolts and internal components in steel, external thread, inch

Item No. Black satin finish	Item No. Pure orange RAL 2004	Size	X	L
K0122.92A21X	K0122.92A22X	2	1/4-20	15/20/25/30/35/40/45/50/55/60
K0122.92A31X	K0122.92A32X	2	5/16-18	15/20/25/30/35/40/45/50/55/60
K0122.92A41X	K0122.92A42X	2	3/8-16	15/20/25/30/35/40/45/50/55/60
K0122.93A31X	K0122.93A32X	3	5/16-18	15/20/25/30/35/40/45/50/55/60
K0122.93A41X	K0122.93A42X	3	3/8-16	15/20/25/30/35/40/45/50/55/60

KIPP Adjustable Handles with protective cap, Zinc, bolts and internal components in steel, external thread, metric

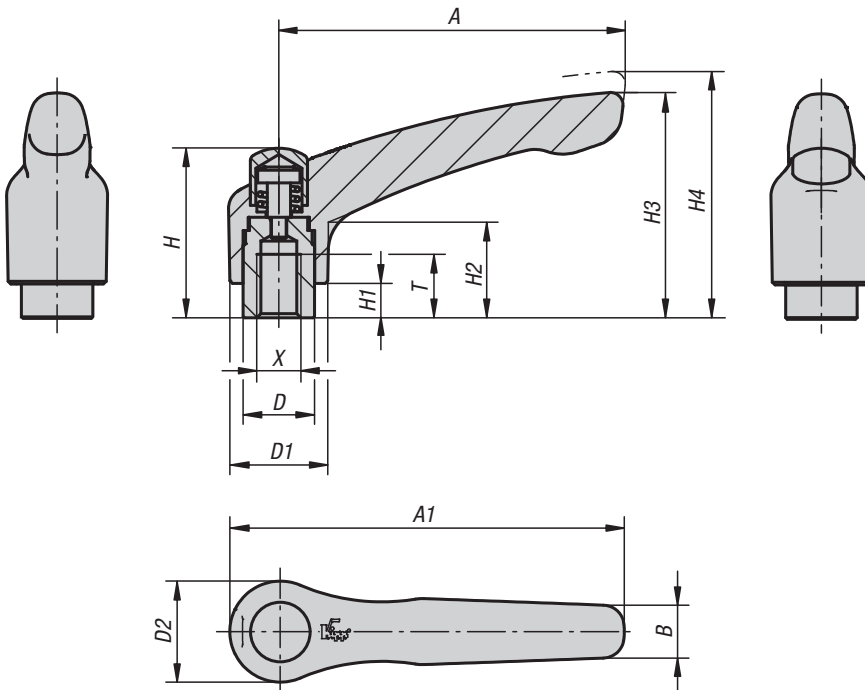
Item No. Black satin finish	Item No. Pure orange RAL 2004	Size	X	L
K0122.92061X	K0122.92062X	2	M6	15/20/25/30/35/40/45/50/55/60
K0122.92081X	K0122.92082X	2	M8	15/20/25/30/35/40/45/50/55/60
K0122.92101X	K0122.92102X	2	M10	15/20/25/30/35/40/45/50/55/60
K0122.93081X	K0122.93082X	3	M8	15/20/25/30/35/40/45/50/55/60
K0122.93101X	K0122.93102X	3	M10	15/20/25/30/35/40/45/50/55/60

Adjustable Handles with protective cap

Modern Design Style, Zinc, inserts and internal components in stainless steel, internal thread



INCH Parts METRIC Parts



Material:

Handle in die cast zinc to DIN EN 12844;
steel parts in stainless steel, 1.4305;
protective cap in stainless steel, 1.4305

Type:

Handle powder-coated;
steel parts natural finish;
protective cap stainless steel, natural finish

Part Number Example:

K0123.92A21

Note:

Standard colors are:
black satin finish, orange RAL 2004.

On request:

Other internal threads, colors and special versions.
Dimension "H1" can be produced in other lengths
at an additional charge.



Adjustable Handles with protective cap

Modern Design Style, Zinc, inserts and internal components in stainless steel, internal thread



KIPP Adjustable Handles with protective cap, inserts and internal components in stainless steel, internal thread, inch

Item No. Black satin finish	Item No. Pure orange RAL 2004	Size	X	T	D	D1	D2	H	H1	H2	H3	H4	A	A1	B	No. of teeth
K0123.92A21	K0123.92A22	2	1/4-20	12	13,5	18,5	19	32	6,5	17,5	42,5	45,5	65	74,5	9,5	20
K0123.92A31	K0123.92A32	2	5/16-18	12	13,5	18,5	19	32	6,5	17,5	42,5	45,5	65	74,5	9,5	20
K0123.93A31	K0123.93A32	3	5/16-18	14	16	21	22	41,5	10	24	54,5	58,5	80	91	11	22
K0123.93A41	K0123.93A42	3	3/8-16	14	16	21	22	41,5	10	24	54,5	58,5	80	91	11	22

KIPP Adjustable Handles with protective cap, inserts and internal components in stainless steel, internal thread, metric

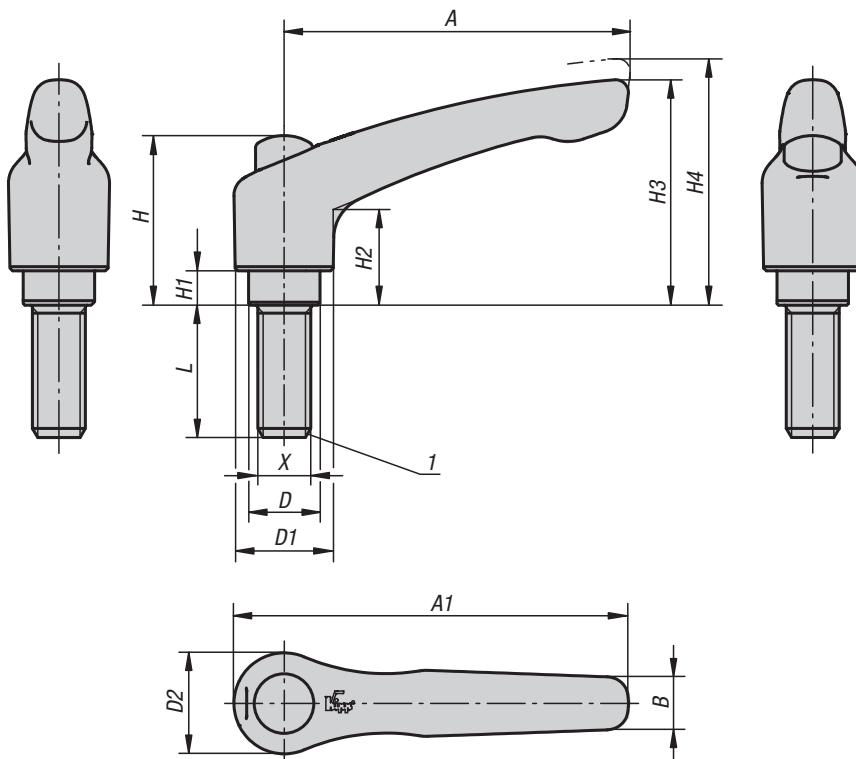
Item No. Black satin finish	Item No. Pure orange RAL 2004	Size	X	T	D	D1	D2	H	H1	H2	H3	H4	A	A1	B	No. of teeth
K0123.92061	K0123.92062	2	M6	12	13,5	18,5	19	32	6,5	17,5	42,5	45,5	65	74,5	9,5	20
K0123.92081	K0123.92082	2	M8	12	13,5	18,5	19	32	6,5	17,5	42,5	45,5	65	74,5	9,5	20
K0123.93081	K0123.93082	3	M8	14	16	21	22	41,5	10	24	54,5	58,5	80	91	11	22
K0123.93101	K0123.93102	3	M10	14	16	21	22	41,5	10	24	54,5	58,5	80	91	11	22

Adjustable Handles with protective cap

Modern Design Style, Zinc, bolts and internal components in stainless steel, external thread



INCH Parts METRIC Parts



Material:

Handle in die cast zinc to DIN EN 12844; steel parts in stainless steel, 1.4305; protective cap in stainless steel, 1.4305

Type:

Handle powder-coated; steel parts natural finish; protective cap stainless steel, natural finish

Part Number Example:

K0123.92A21X15
(include length L)

Note:

Standard colors are: black satin finish, orange RAL 2004.

On request:

Other external threads, screw lengths, colors and special versions.

Dimension "H1" can be produced in other lengths at an additional charge.

Drawing reference:

1) flat point DIN 78

lift to disengage



Adjustable Handles with protective cap

Modern Design Style, Zinc, bolts and internal components in stainless steel, external thread



KIPP Measurements, external thread

Size	X	D	D1	D2	H	H1	H2	H3	H4	A	A1	B	No. of teeth
2	1/4-20 ; 5/16-18 ; 3/8-16 ; 5/16-18	13,5	18,5	19	32	6,5	17,5	42,5	45,5	65	74,5	9,5	20
3	5/16-18 ; 3/8-16	16	21	22	41,5	10	24	54,5	58,5	80	91	11	22
2	M6 ; M8 ; M10	13,5	18,5	19	32	6,5	17,5	42,5	45,5	65	74,5	9,5	20
3	M8 ; M10	16	21	22	41,5	10	24	54,5	58,5	80	91	11	22

KIPP Adjustable Handles with protective cap, Zinc, bolts and internal components in stainless steel, external thread, inch

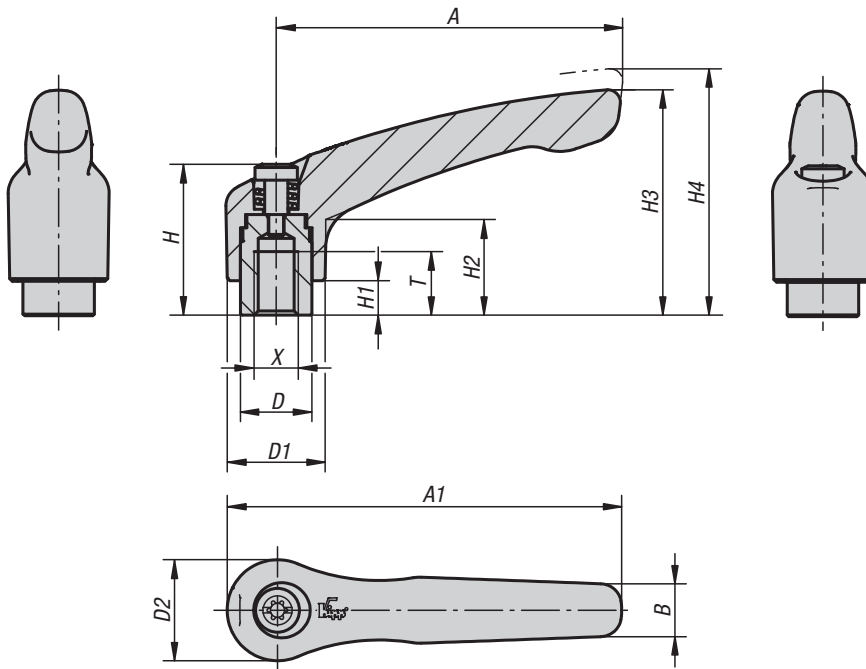
Item No. Black satin finish	Item No. Pure orange RAL 2004	Size	X	L
K0123.92A21X	K0123.92A22X	2	1/4-20	15/20/25/30/40/50/60
K0123.92A31X	K0123.92A32X	2	5/16-18	15/20/25/30/40/50/60
K0123.92A41X	K0123.92A42X	2	3/8-16	20/25/30/40/50/60
K0123.93A31X	K0123.93A32X	3	5/16-18	20/25/30/40/50/60
K0123.93A41X	K0123.93A42X	3	3/8-16	20/25/30/40/50/60

KIPP Adjustable Handles with protective cap, Zinc, bolts and internal components in stainless steel, external thread, metric

Item No. Black satin finish	Item No. Pure orange RAL 2004	Size	X	L
K0123.92061X	K0123.92062X	2	M6	15/20/25/30/40/50/60
K0123.92081X	K0123.92082X	2	M8	15/20/25/30/40/50/60
K0123.92101X	K0123.92102X	2	M10	20/25/30/40/50/60
K0123.93081X	K0123.93082X	3	M8	20/25/30/40/50/60
K0123.93101X	K0123.93102X	3	M10	20/25/30/40/50/60

Adjustable Handles

Modern Design Style, stainless steel, internal thread



Material:

Handle in precision cast 1.4308, other steel parts 1.4305

Type:

Handle electrolytic polished. Steel parts natural finish.

Part Number Example:

K0124.1A0

On request:

Other internal threads and special versions. Dimension "H1" can be produced in other lengths at an additional charge.



Adjustable Handles

Modern Design Style, stainless steel, internal thread



KIPP Adjustable Handles, Modern Design Style, stainless steel, internal thread, inch

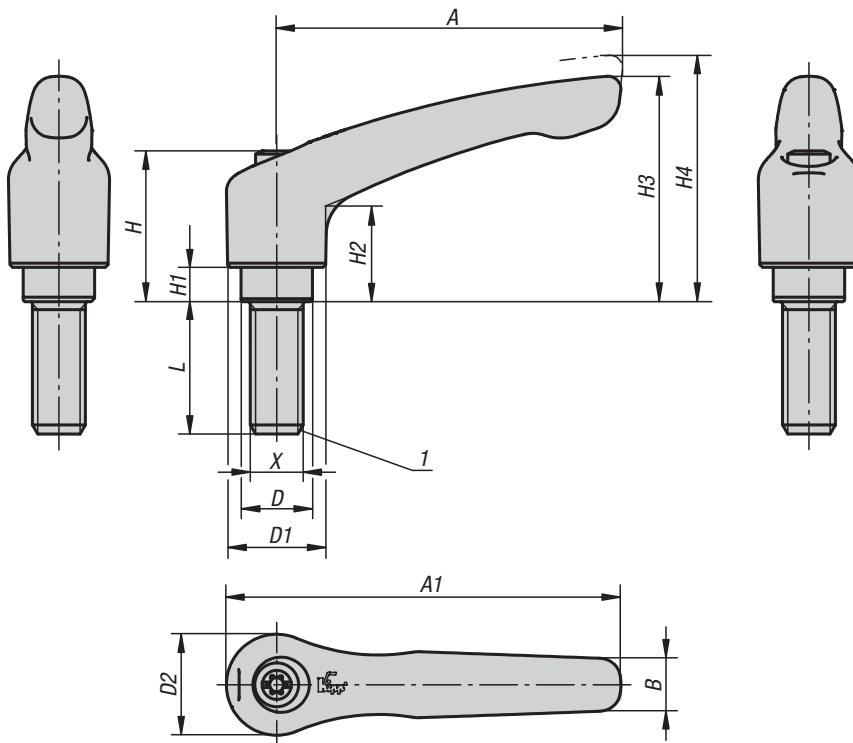
Item No.	Size	X	T	D	D1	D2	H	H1	H2	H3	H4	A	A1	B	No. of teeth
K0124.1A0	1	10-24	9	10	13	14	24,5	4	14,5	31	34	40	47	7	16
K0124.1A1	1	10-32	9	10	13	14	24,5	4	14,5	31	34	40	47	7	16
K0124.1A2	1	1/4-20	9	10	13	14	24,5	4	14,5	31	34	40	47	7	16
K0124.2A2	2	1/4-20	12	13,5	18,5	19	28,5	6,5	17,5	42,5	45,5	65	74,5	10	20
K0124.2A3	2	5/16-18	12	13,5	18,5	19	28,5	6,5	17,5	42,5	45,5	65	74,5	10	20
K0124.3A3	3	5/16-18	14	16	21	22	37	10	24	54,5	58,5	80	91	11	22
K0124.3A4	3	3/8-16	14	16	21	22	37	10	24	54,5	58,5	80	91	11	22
K0124.4A4	4	3/8-16	17	19	27	27,5	43	10	27	63	67,5	95	109	13	24
K0124.4A5	4	1/2-13	17	19	27	27,5	43	10	27	63	67,5	95	109	13	24
K0124.5A5	5	1/2-13	23	23	31	32	49	12	31,5	73	77,5	110	126	15	26
K0124.5A6	5	5/8-11	23	23	31	32	49	12	31,5	73	77,5	110	126	15	26

KIPP Adjustable Handles, Modern Design Style, stainless steel, internal thread, metric

Item No.	Size	X	T	D	D1	D2	H	H1	H2	H3	H4	A	A1	B	No. of teeth
K0124.104	1	M4	9	10	13	14	24,5	4	14,5	31	34	40	47	7	16
K0124.105	1	M5	9	10	13	14	24,5	4	14,5	31	34	40	47	7	16
K0124.106	1	M6	9	10	13	14	24,5	4	14,5	31	34	40	47	7	16
K0124.206	2	M6	12	13,5	18,5	19	28,5	6,5	17,5	42,5	45,5	65	74,5	10	20
K0124.208	2	M8	12	13,5	18,5	19	28,5	6,5	17,5	42,5	45,5	65	74,5	10	20
K0124.308	3	M8	14	16	21	22	37	10	24	54,5	58,5	80	91	11	22
K0124.310	3	M10	14	16	21	22	37	10	24	54,5	58,5	80	91	11	22
K0124.410	4	M10	17	19	27	27,5	43	10	27	63	67,5	95	109	13	24
K0124.412	4	M12	17	19	27	27,5	43	10	27	63	67,5	95	109	13	24
K0124.512	5	M12	23	23	31	32	49	12	31,5	73	77,5	110	126	15	26
K0124.516	5	M16	23	23	31	32	49	12	31,5	73	77,5	110	126	15	26

Adjustable Handles

Modern Design Style, stainless steel, external thread



Material:

Handle in precision cast 1.4308, other steel parts 1.4305.

Type:

Handle electrolytic polished. Steel parts natural finish.

Part Number Example:

K0124.1A0X10 (include length L)

On request:

Other external threads, screw lengths and special versions. Dimension "H1" can be produced in other lengths at an additional charge.

Drawing reference:

1) flat point DIN 78

lift to disengage



Adjustable Handles

Modern Design Style, stainless steel, external thread



KIPP Adjustable Handles, Modern Design Style, stainless steel, external thread, inch

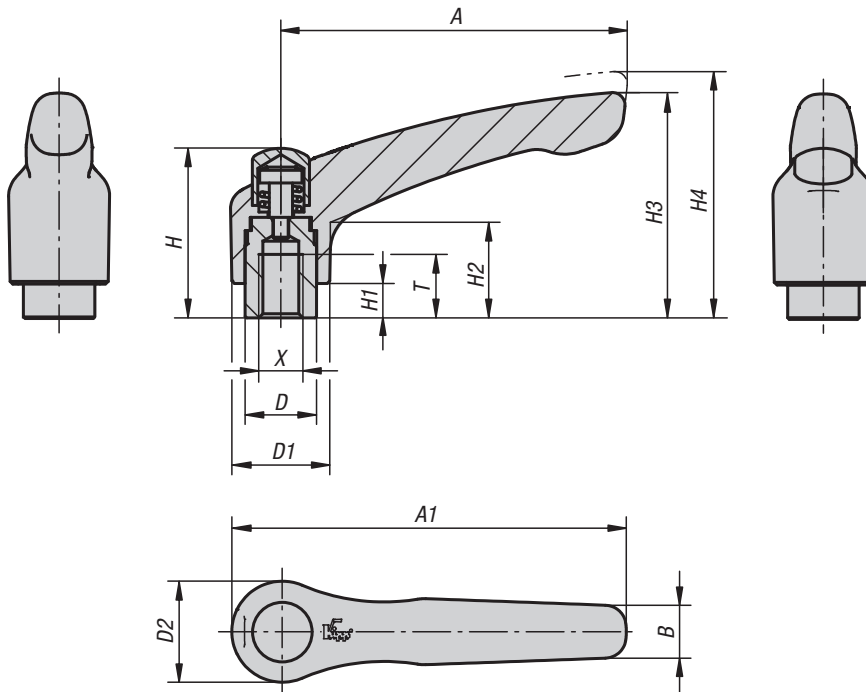
Item No.	Size	X	D	D1	D2	H	H1	H2	H3	H4	A	A1	B	No. of teeth	L
K0124.1A0X	1	10-24	10	13	14	24,5	4	14,5	31	34	40	47	7	16	10/15/20/25
K0124.1A1X	1	10-32	10	13	14	24,5	4	14,5	31	34	40	47	7	16	10/15/20/25
K0124.1A2X	1	1/4-20	10	13	14	24,5	4	14,5	31	34	40	47	7	16	10/15/20/25/30/40/50
K0124.2A2X	2	1/4-20	13,5	18,5	19	28,5	6,5	17,5	42,5	45,5	65	74,5	10	20	15/20/25/30/40/50/60
K0124.2A3X	2	5/16-18	13,5	18,5	19	28,5	6,5	17,5	42,5	45,5	65	74,5	10	20	15/20/25/30/40/50/60
K0124.2A4X	2	3/8-16	13,5	18,5	19	28,5	6,5	17,5	42,5	45,5	65	74,5	10	20	20/25/30/40/50/60
K0124.3A3X	3	5/16-18	16	21	22	37	10	24	54,5	58,5	80	91	11	22	20/25/30/40/50/60
K0124.3A4X	3	3/8-16	16	21	22	37	10	24	54,5	58,5	80	91	11	22	20/25/30/40/50/60
K0124.4A5X	4	1/2-13	19	27	27,5	43	10	27	63	67,5	95	109	13	24	25/30/40/50/60
K0124.5A6X	5	5/8-11	23	31	32	49	12	31,5	73	77,5	110	126	15	26	30/40/50/60

KIPP Adjustable Handles, Modern Design Style, stainless steel, external thread, metric

Item No.	Size	X	D	D1	D2	H	H1	H2	H3	H4	A	A1	B	No. of teeth	L
K0124.105X	1	M5	10	13	14	24,5	4	14,5	31	34	40	47	7	16	10/15/20/25
K0124.106X	1	M6	10	13	14	24,5	4	14,5	31	34	40	47	7	16	10/15/20/25/30/40/50
K0124.206X	2	M6	13,5	18,5	19	28,5	6,5	17,5	42,5	45,5	65	74,5	10	20	15/20/25/30/40/50/60
K0124.208X	2	M8	13,5	18,5	19	28,5	6,5	17,5	42,5	45,5	65	74,5	10	20	15/20/25/30/40/50/60
K0124.210X	2	M10	13,5	18,5	19	28,5	6,5	17,5	42,5	45,5	65	74,5	10	20	20/25/30/40/50/60
K0124.308X	3	M8	16	21	22	37	10	24	54,5	58,5	80	91	11	22	20/25/30/40/50/60
K0124.310X	3	M10	16	21	22	37	10	24	54,5	58,5	80	91	11	22	20/25/30/40/50/60
K0124.412X	4	M12	19	27	27,5	43	10	27	63	67,5	95	109	13	24	25/30/40/50/60
K0124.516X	5	M16	23	31	32	49	12	31,5	73	77,5	110	126	15	26	30/40/50/60

Adjustable Handles with protective cap

Modern Design Style, stainless steel, internal thread



Material:

Handle in precision cast 1.4308, other steel parts 1.4305.

Type:

Handle electrolytic polished. Steel parts natural finish.

Part Number Example:

K0124.92A2

On request:

Other internal threads and special versions. Dimension "H1" can be produced in other lengths at an additional charge.



KIPP Adjustable Handles with protective cap, Modern Design Style, stainless steel, internal thread, inch

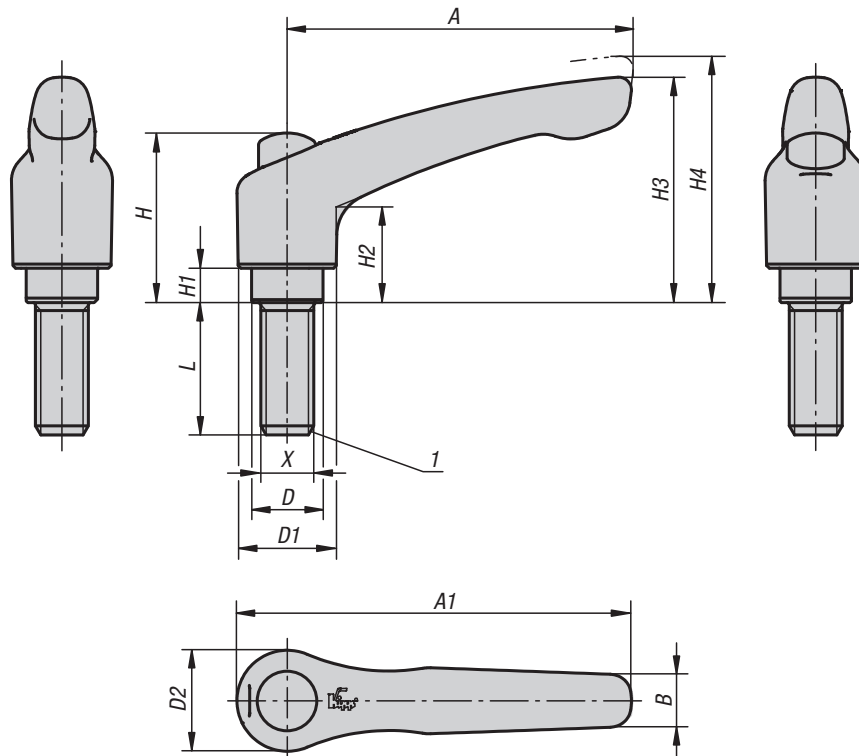
Item No.	Size	X	T	D	D1	D2	H	H1	H2	H3	H4	A	A1	B	No. of teeth
K0124.92A2	2	1/4-20	12	13,5	18,5	19	32	6,5	17,5	42,5	45,5	65	74,5	10	10
K0124.92A3	2	5/16-18	12	13,5	18,5	19	32	6,5	17,5	42,5	45,5	65	74,5	10	10
K0124.93A3	3	5/16-18	14	16	21	22	41,5	10	24	54,5	58,5	80	91	11	11
K0124.93A4	3	3/8-16	14	16	21	22	41,5	10	24	54,5	58,5	80	91	11	11

KIPP Adjustable Handles with protective cap, Modern Design Style, stainless steel, internal thread, metric

Item No.	Size	X	T	D	D1	D2	H	H1	H2	H3	H4	A	A1	B	No. of teeth
K0124.9206	2	M6	12	13,5	18,5	19	32	6,5	17,5	42,5	45,5	65	74,5	10	20
K0124.9208	2	M8	12	13,5	18,5	19	32	6,5	17,5	42,5	45,5	65	74,5	10	20
K0124.9308	3	M8	14	16	21	22	41,5	10	24	54,5	58,5	80	91	11	22
K0124.9310	3	M10	14	16	21	22	41,5	10	24	54,5	58,5	80	91	11	22

Adjustable Handles with protective cap

Modern Design Style, stainless steel, external thread



Material:

Handle in precision cast 1.4308, other steel parts 1.4305.

Type:

Handle electrolytic polished. Steel parts natural finish.

Part Number Example:

K0124.92A2X15
(include length L)

On request:

Other external threads, screw lengths and special versions. Dimension "H1" can be produced in other lengths at an additional charge.

Drawing reference:

1) flat point DIN 78



KIPP Adjustable Handles with protective cap, Modern Design Style, stainless steel, external thread, inch

Item No.	Size	X	D	D1	D2	H	H1	H2	H3	H4	A	A1	B	No. of teeth	L
K0124.92A2X	2	1/4-20	13,5	18,5	19	32	6,5	17,5	42,5	45,5	65	74,5	10	10	15/20/25/30/40/50/60
K0124.92A3X	2	5/16-18	13,5	18,5	19	32	6,5	17,5	42,5	45,5	65	74,5	10	10	15/20/25/30/40/50/60
K0124.92A4X	2	3/8-16	13,5	18,5	19	32	6,5	17,5	42,5	45,5	65	74,5	10	10	20/25/30/40/50/60
K0124.93A3X	3	5/16-18	16	21	22	41,5	10	24	54,5	58,5	80	91	11	11	20/25/30/40/50/60
K0124.93A4X	3	3/8-16	16	21	22	41,5	10	24	54,5	58,5	80	91	11	11	20/25/30/40/50/60

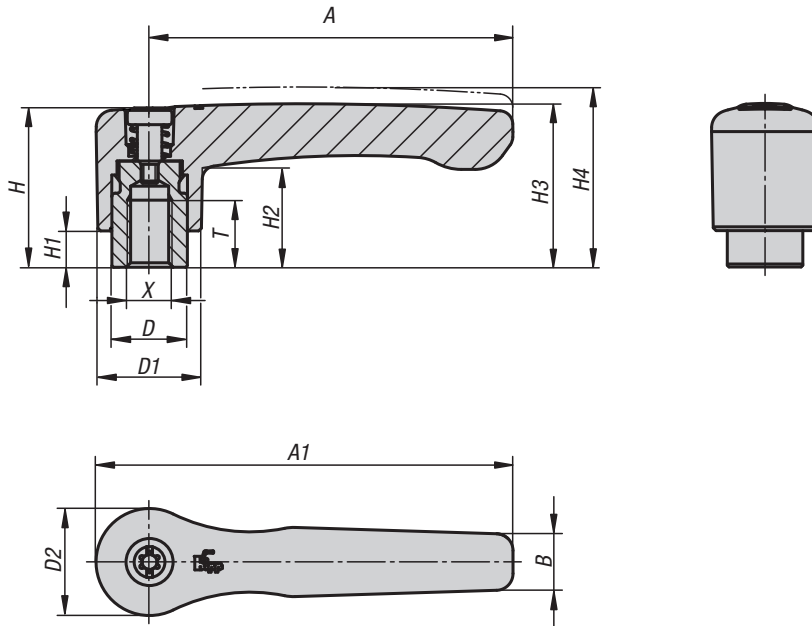
KIPP Adjustable Handles with protective cap, Modern Design Style, stainless steel, external thread, metric

Item No.	Size	X	D	D1	D2	H	H1	H2	H3	H4	A	A1	B	No. of teeth	L
K0124.9206X	2	M6	13,5	18,5	19	32	6,5	17,5	42,5	45,5	65	74,5	10	20	15/20/25/30/40/50/60
K0124.9208X	2	M8	13,5	18,5	19	32	6,5	17,5	42,5	45,5	65	74,5	10	20	15/20/25/30/40/50/60
K0124.9210X	2	M10	13,5	18,5	19	32	6,5	17,5	42,5	45,5	65	74,5	10	20	20/25/30/40/50/60
K0124.9308X	3	M8	16	21	22	41,5	10	24	54,5	58,5	80	91	11	22	20/25/30/40/50/60
K0124.9310X	3	M10	16	21	22	41,5	10	24	54,5	58,5	80	91	11	22	20/25/30/40/50/60

Adjustable Handles straight

inserts and internal components steel, internal thread

INCH Parts METRIC Parts



Material:
Handle die-cast zinc DIN EN 12844.
Steel parts quality class 5.8.

Type:
Handle powder-coated.
Steel parts black oxide finish.

Part Number Example:
K0737.2061

Note:
Standard colors are:
black satin finish, orange RAL 2004.

On request:
Other internal threads, colors and special versions.
Dimension "H1" available in other lengths at an additional charge.



KIPP Adjustable Handles straight, internal thread, inch

Item No. Black satin finish	Item No. Pure orange RAL 2004	Size	X	T	D	D2	D2	H	H1	H2	H3	H4	A	A1	B	No. of teeth
K0737.2A21	K0737.2A22	2	1/4-20	12	13,5	18,5	19,1	28,5	6,5	17,8	29,2	32,2	65	74,5	10,1	20
K0737.2A31	K0737.2A32	2	5/16-18	12	13,5	18,5	19,1	28,5	6,5	17,8	29,2	32,2	65	74,5	10,1	20
K0737.3A31	K0737.3A32	3	5/16-18	14	16	21,2	22	37	10	23,8	38	42	80	91	11,7	22
K0737.3A41	K0737.3A42	3	3/8-16	14	16	21,2	22	37	10	23,8	38	42	80	91	11,7	22

KIPP Adjustable Handles straight, internal thread, metric

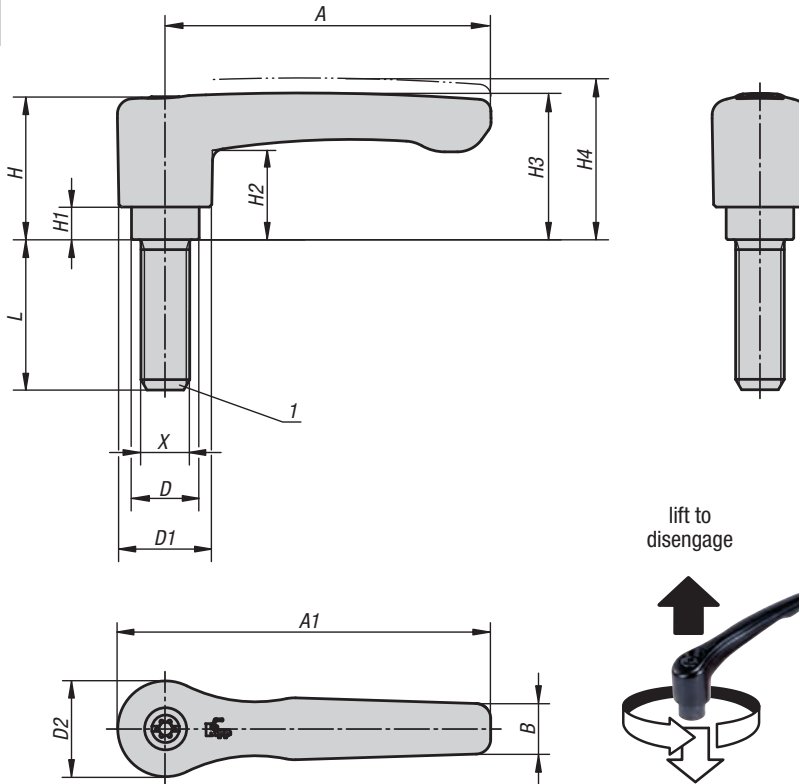
Item No. Black satin finish	Item No. Pure orange RAL 2004	Size	X	T	D	D2	D2	H	H1	H2	H3	H4	A	A1	B	No. of teeth
K0737.2061	K0737.2062	2	M6	12	13,5	18,5	19,1	28,5	6,5	17,8	29,2	32,2	65	74,5	10,1	20
K0737.2081	K0737.2082	2	M8	12	13,5	18,5	19,1	28,5	6,5	17,8	29,2	32,2	65	74,5	10,1	20
K0737.3081	K0737.3082	3	M8	14	16	21,2	22	37	10	23,8	38	42	80	91	11,7	22
K0737.3101	K0737.3102	3	M10	14	16	21,2	22	37	10	23,8	38	42	80	91	11,7	22

Adjustable Handles straight

bolts and internal components in steel, external thread



INCH Parts
METRIC Parts



Material:
Handle die-cast zinc DIN EN 12844.
Steel parts quality class 5.8.

Type:
Handle powder-coated.
Steel parts black oxide finish.

Part Number Example:
K0737.2061X15 (include length L)

Note:
Standard colors are:
black satin finish, orange RAL 2004.

On request:
Other external threads, screw lengths, colors
and special versions.
Dimension "H1" available in other lengths at
an additional charge.

Drawing reference:
1) flat point DIN 78

KIPP Measurements, external thread

Size	X	D	D1	D2	H	H1	H2	H3	H4	A	A1	B	No. of teeth
2	1/4-20 ; 5/16-18 ; 3/8-16	13,5	18,5	19,1	28,5	6,5	17,8	29,2	32,2	65	74,5	10,1	20
3	5/16-18 ; 3/8-16	16	21,2	22	37	10	23,8	38	42	80	91	11,7	22
2	M6 ; M8 ; M10	13,5	18,5	19,1	28,5	6,5	17,8	29,2	32,2	65	74,5	10,1	20
3	M8 ; M10	16	21,2	22	37	10	23,8	38	42	80	91	11,7	22

KIPP Adjustable Handles straight, external thread, inch

Item No. Black satin finish	Item No. Pure orange RAL 2004	Size	X	L
K0737.2A21X	K0737.2A22X	2	1/4-20	15/20/25/30/35/40/45/50/55/60
K0737.2A31X	K0737.2A32X	2	5/16-18	15/20/25/30/35/40/45/50/55/60
K0737.2A41X	K0737.2A42X	2	3/8-16	15/20/25/30/35/40/45/50/55/60
K0737.3A31X	K0737.3A32X	3	5/16-18	15/20/25/30/35/40/45/50/55/60
K0737.3A41X	K0737.3A42X	3	3/8-16	15/20/25/30/35/40/45/50/55/60

KIPP Adjustable Handles straight, external thread, metric

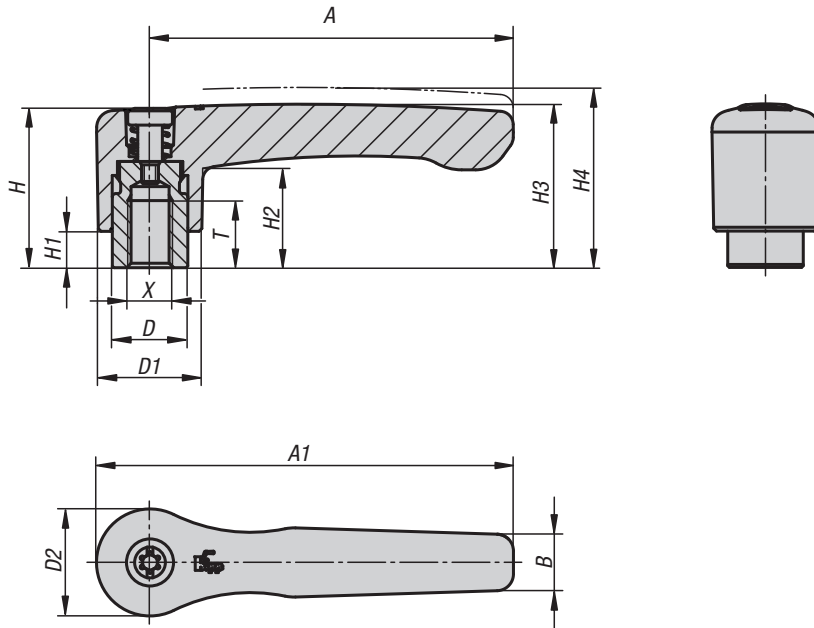
Item No. Black satin finish	Item No. Pure orange RAL 2004	Size	X	L
K0737.2061X	K0737.2062X	2	M6	15/20/25/30/35/40/45/50/55/60
K0737.2081X	K0737.2082X	2	M8	15/20/25/30/35/40/45/50/55/60
K0737.2101X	K0737.2102X	2	M10	15/20/25/30/35/40/45/50/55/60
K0737.3081X	K0737.3082X	3	M8	15/20/25/30/35/40/45/50/55/60
K0737.3101X	K0737.3102X	3	M10	15/20/25/30/35/40/45/50/55/60

Adjustable Handles straight

inserts and internal components stainless steel, internal thread



INCH Parts METRIC Parts



Material:

Handle die-cast zinc DIN EN 12844.
Steel parts stainless steel 1.4305.

Type:

Handle powder-coated,
steel parts natural finish.

Part Number Example:

K0738.2061

Note:

Standard colors are:
black satin finish, orange RAL 2004.

On request:

Other internal threads, colors and special versions.
Dimension "H1" available in other lengths at an additional charge.



KIPP Adjustable Handles straight, internal thread, stainless steel, inch

Item No. Black satin finish	Item No. Pure orange RAL 2004	Size	X	T	D	D1	D2	H	H1	H2	H3	H4	A	A1	B	No. of teeth
K0738.2A21	K0738.2A22	2	1/4-20	12	13,5	18,5	19,1	28,5	6,5	17,8	29,2	32,2	65	74,5	10,1	20
K0738.2A31	K0738.2A32	2	5/16-18	12	13,5	18,5	19,1	28,5	6,5	17,8	29,2	32,2	65	74,5	10,1	20
K0738.3A31	K0738.3A32	3	5/16-18	14	16	21,2	22	37	10	23,8	38	42	80	91	11,7	22
K0738.3A41	K0738.3A42	3	3/8-16	14	16	21,2	22	37	10	23,8	38	42	80	91	11,7	22

KIPP Adjustable Handles straight, internal thread, stainless steel, metric

Item No. Black satin finish	Item No. Pure orange RAL 2004	Size	X	T	D	D1	D2	H	H1	H2	H3	H4	A	A1	B	No. of teeth
K0738.2061	K0738.2062	2	M6	12	13,5	18,5	19,1	28,5	6,5	17,8	29,2	32,2	65	74,5	10,1	20
K0738.2081	K0738.2082	2	M8	12	13,5	18,5	19,1	28,5	6,5	17,8	29,2	32,2	65	74,5	10,1	20
K0738.3081	K0738.3082	3	M8	14	16	21,2	22	37	10	23,8	38	42	80	91	11,7	22
K0738.3101	K0738.3102	3	M10	14	16	21,2	22	37	10	23,8	38	42	80	91	11,7	22

Adjustable Handles straight

bolts and internal components stainless steel, external thread



Material:

Handle die-cast zinc DIN EN 12844.
Steel parts stainless steel 1.4305.

Type:

Handle powder-coated,
steel parts natural finish.

Part Number Example:

K0738.2061X15 (include length L)

Note:

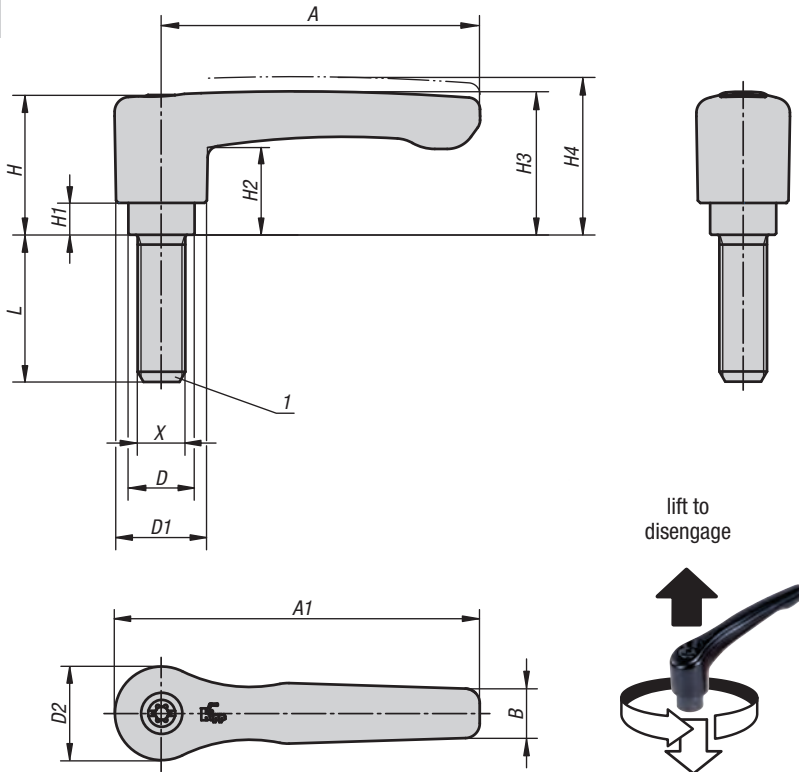
Standard colors are:
black satin finish, orange RAL 2004.

On request:

Other external threads, screw lengths, colors
and special versions.
Dimension "H1" available in other lengths at
an additional charge.

Drawing reference:

1) flat point DIN 78



KIPP Measurements, external thread

Size	X	D	D1	D2	H	H1	H2	H3	H4	A	A1	B	No. of teeth
2	1/4-20 ; 5/16-18 ; 3/8-16	13,5	18,5	19,1	28,5	6,5	17,8	29,2	32,2	65	74,5	10,1	20
3	5/16-18 ; 3/8-16	16	21,2	22	37	10	23,8	38	42	80	91	11,7	22
2	M6 ; M8 ; M10	13,5	18,5	19,1	28,5	6,5	17,8	29,2	32,2	65	74,5	10,1	20
3	M8 ; M10	16	21,2	22	37	10	23,8	38	42	80	91	11,7	22

KIPP Adjustable Handles straight, external thread, stainless steel, inch

Item No. Black satin finish	Item No. Pure orange RAL 2004	Size	X	L
K0738.2A21X	K0738.2A22X	2	1/4-20	15/20/25/30/40/50/60
K0738.2A31X	K0738.2A32X	2	5/16-18	15/20/25/30/40/50/60
K0738.2A41X	K0738.2A42X	2	3/8-16	20/25/30/40/50/60
K0738.3A31X	K0738.3A32X	3	5/16-18	20/25/30/40/50/60
K0738.3A41X	K0738.3A42X	3	3/8-16	20/25/30/40/50/60

KIPP Adjustable Handles straight, external thread, stainless steel, metric

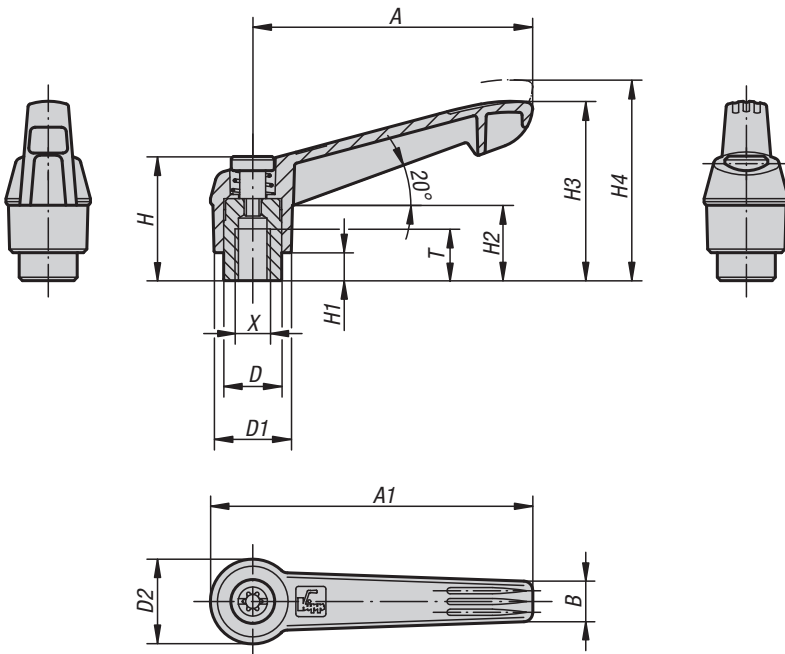
Item No. Black satin finish	Item No. Pure orange RAL 2004	Size	X	L
K0738.2061X	K0738.2062X	2	M6	15/20/25/30/40/50/60
K0738.2081X	K0738.2082X	2	M8	15/20/25/30/40/50/60
K0738.2101X	K0738.2102X	2	M10	20/25/30/40/50/60
K0738.3081X	K0738.3082X	3	M8	20/25/30/40/50/60
K0738.3101X	K0738.3102X	3	M10	20/25/30/40/50/60

Adjustable Handles

Modern Design Style, plastic, inserts and internal components steel, internal thread



INCH Parts
METRIC Parts



For many people the Novo-Grip Adjustable Handle represents the key to secure and comfortable gripping. This handle provides a future-oriented and powerful solution for almost any operating and clamping problem.

Material:

Handle fiberglass reinforced plastic with toothed wheel in die cast zinc.
Steel parts quality class 5.8.

Type:

Steel parts black oxide finish.

Part Number Example:

K0269.1AE86 (handle color signal green)

Note:







Δ Add the desired handle color here

On request:

Other internal threads and special versions.
Dimension "H1" can be produced in other lengths at an additional charge.

lift to disengage



black gray Δ = 1	orange Δ = 2	signal green Δ = 86	traffic red Δ = 84	bright yellow Δ = 16	traffic blue Δ = 87
					
RAL 7021	RAL 2004	RAL 6032	RAL 3020	RAL 1021	RAL 5017

Adjustable Handles

Modern Design Style, plastic, inserts and internal components steel, internal thread



KIPP Adjustable Handles, Modern Design Style, with internal thread, components in steel, inch

Item No.	Size	X	T	D	D1	D2	H	H1	H2	H3	H4	A	A1	B	No. of teeth
K0269.1AEΔ	1	8-32	9	10	13	14,5	24,5	4	15	30	33,5	40	47	7,5	16
K0269.1A0Δ	1	10-24	9	10	13	14,5	24,5	4	15	30	33,5	40	47	7,5	16
K0269.1A1Δ	1	10-32	9	10	13	14,5	24,5	4	15	30	33,5	40	47	7,5	16
K0269.1A2Δ	1	1/4-20	9	10	13	14,5	24,5	4	15	30	33,5	40	47	7,5	16
K0269.2A2Δ	2	1/4-20	12	13,5	18	19,5	28,5	6,5	17,5	41,5	45,5	65	75	9,5	20
K0269.2A3Δ	2	5/16-18	12	13,5	18	19,5	28,5	6,5	17,5	41,5	45,5	65	75	9,5	20
K0269.3A3Δ	3	5/16-18	14	16	21,5	23	37	10	24	53,5	58	80	91,5	11	22
K0269.3A4Δ	3	3/8-16	14	16	21,5	23	37	10	24	53,5	58	80	91,5	11	22
K0269.4A4Δ	4	3/8-16	17	19	25,5	27,5	43	10	26	61	66	95	109	13	24
K0269.4A5Δ	4	1/2-13	17	19	25,5	27,5	43	10	26	61	66	95	109	13	24
K0269.5A5Δ	5	1/2-13	23	23	30	32,5	49	12	33	72	77	110	126	15,5	26
K0269.5A6Δ	5	5/8-11	23	23	30	32,5	49	12	33	72	77	110	126	15,5	26

KIPP Adjustable Handles, Modern Design Style with internal thread, components in steel, metric

Item No.	Size	X	T	D	D1	D2	H	H1	H2	H3	H4	A	A1	B	No. of teeth
K0269.104Δ	1	M4	9	10	13	14,5	24,5	4	15	30	33,5	40	47	7,5	16
K0269.105Δ	1	M5	9	10	13	14,5	24,5	4	15	30	33,5	40	47	7,5	16
K0269.106Δ	1	M6	9	10	13	14,5	24,5	4	15	30	33,5	40	47	7,5	16
K0269.206Δ	2	M6	12	13,5	18	19,5	28,5	6,5	17,5	41,5	45,5	65	75	9,5	20
K0269.208Δ	2	M8	12	13,5	18	19,5	28,5	6,5	17,5	41,5	45,5	65	75	9,5	20
K0269.308Δ	3	M8	14	16	21,5	23	37	10	24	53,5	58	80	91,5	11	22
K0269.310Δ	3	M10	14	16	21,5	23	37	10	24	53,5	58	80	91,5	11	22
K0269.410Δ	4	M10	17	19	25,5	27,5	43	10	26	61	66	95	109	13	24
K0269.412Δ	4	M12	17	19	25,5	27,5	43	10	26	61	66	95	109	13	24
K0269.512Δ	5	M12	23	23	30	32,5	49	12	33	72	77	110	126	15,5	26
K0269.516Δ	5	M16	23	23	30	32,5	49	12	33	72	77	110	126	15,5	26

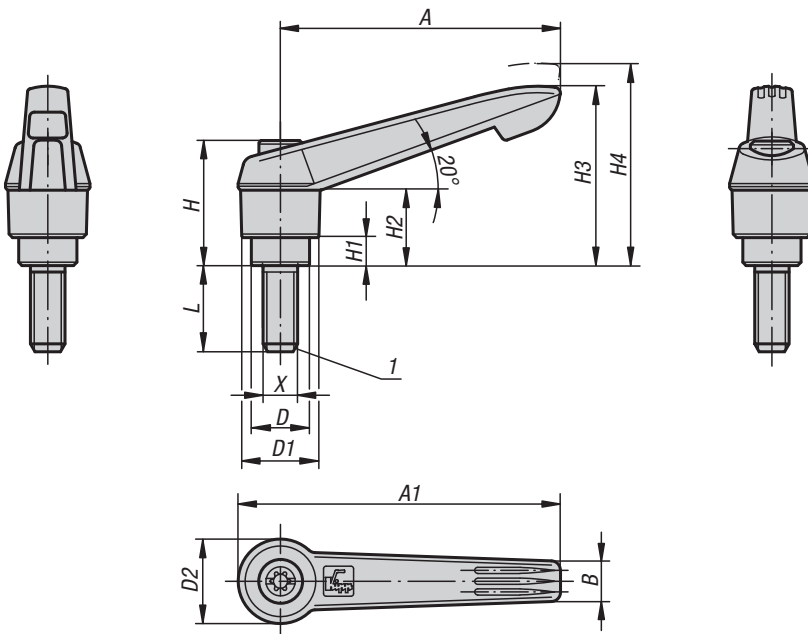
Adjustable Handles

Modern Design Style, plastic, bolts and internal components in steel, external thread



INCH
Parts

METRIC
Parts



For many people the Novo-Grip Adjustable Handle represents the key to secure and comfortable gripping. This handle provides a future-oriented and powerful solution for almost any operating and clamping problem.

Material:

Handle fiberglass reinforced plastic with toothed wheel in die cast zinc.
Steel parts quality class 5.8.

Type:

Steel parts black oxide finish.

Part Number Example:

K0269.1A01X10
(handle black gray;
include length L)

Note:

Δ Add the desired handle color here

On request:

Other external threads, screw lengths and special versions.

Dimension "H1" can be produced in other lengths at an additional charge.

Drawing reference:

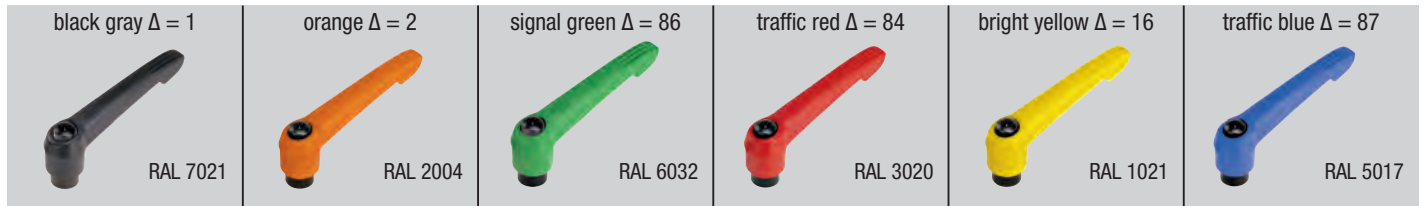
1) flat point DIN 78

lift to
disengage



Adjustable Handles

Modern Design Style, plastic, bolts and internal components in steel, external thread



KIPP Adjustable Handles, Modern Design Style, with external thread, components in steel, inch

Item No.	Size	X	D	D1	D2	H	H1	H2	H3	H4	A	A1	B	No. of teeth	L
K0269.1A0ΔX	1	10-24	10	13	14,5	24,5	4	15	30	33,5	40	47	7,5	16	10/15/20/25/30/35/40/45/50
K0269.1A1ΔX	1	10-32	10	13	14,5	24,5	4	15	30	33,5	40	47	7,5	16	10/15/20/25/30/35/40/45/50
K0269.1A2ΔX	1	1/4-20	10	13	14,5	24,5	4	15	30	33,5	40	47	7,5	16	10/15/20/25/30/35/40/45/50
K0269.2A2ΔX	2	1/4-20	13,5	18	19,5	28,5	6,5	17,5	41,5	45,5	65	75	9,5	20	15/20/25/30/35/40/45/50/55/60
K0269.2A3ΔX	2	5/16-18	13,5	18	19,5	28,5	6,5	17,5	41,5	45,5	65	75	9,5	20	15/20/25/30/35/40/45/50/55/60
K0269.2A4ΔX	2	3/8-16	13,5	18	19,5	28,5	6,5	17,5	41,5	45,5	65	75	9,5	20	15/20/25/30/35/40/45/50/55/60
K0269.3A3ΔX	3	5/16-18	16	21,5	23	37	10	24	53,5	58	80	91,5	11	22	15/20/25/30/35/40/45/50/55/60
K0269.3A4ΔX	3	3/8-16	16	21,5	23	37	10	24	53,5	58	80	91,5	11	22	15/20/25/30/35/40/45/50/55/60
K0269.4A4ΔX	4	3/8-16	19	25,5	27,5	43	10	26	61	66	95	109	13	24	20/25/30/35/40/45/50/55/60/70/80/90
K0269.4A5ΔX	4	1/2-13	19	25,5	27,5	43	10	26	61	66	95	109	13	24	20/25/30/35/40/45/50/55/60/70/80/90
K0269.5A5ΔX	5	1/2-13	23	30	32,5	49	12	33	72	77	110	126	15,5	26	25/30/35/40/45/50/55/60/70/80/90
K0269.5A6ΔX	5	5/8-11	23	30	32,5	49	12	33	72	77	110	126	15,5	26	25/30/35/40/45/50/55/60/70/80/90

KIPP Adjustable Handles, Modern Design Style, with external thread, components in steel, metric

Item No.	Size	X	D	D1	D2	H	H1	H2	H3	H4	A	A1	B	No. of teeth	L
K0269.105ΔX	1	M5	10	13	14,5	24,5	4	15	30	33,5	40	47	7,5	16	10/15/20/25/30/35/40/45/50
K0269.106ΔX	1	M6	10	13	14,5	24,5	4	15	30	33,5	40	47	7,5	16	10/15/20/25/30/35/40/45/50
K0269.206ΔX	2	M6	13,5	18	19,5	28,5	6,5	17,5	41,5	45,5	65	75	9,5	20	15/20/25/30/35/40/45/50/55/60
K0269.208ΔX	2	M8	13,5	18	19,5	28,5	6,5	17,5	41,5	45,5	65	75	9,5	20	15/20/25/30/35/40/45/50/55/60
K0269.210ΔX	2	M10	13,5	18	19,5	28,5	6,5	17,5	41,5	45,5	65	75	9,5	20	15/20/25/30/35/40/45/50/55/60
K0269.308ΔX	3	M8	16	21,5	23	37	10	24	53,5	58	80	91,5	11	22	15/20/25/30/35/40/45/50/55/60
K0269.310ΔX	3	M10	16	21,5	23	37	10	24	53,5	58	80	91,5	11	22	15/20/25/30/35/40/45/50/55/60
K0269.410ΔX	4	M10	19	25,5	27,5	43	10	26	61	66	95	109	13	24	20/25/30/35/40/45/50/55/60/70/80/90
K0269.412ΔX	4	M12	19	25,5	27,5	43	10	26	61	66	95	109	13	24	20/25/30/35/40/45/50/55/60/70/80/90
K0269.512ΔX	5	M12	23	30	32,5	49	12	33	72	77	110	126	15,5	26	25/30/35/40/45/50/55/60/70/80/90
K0269.516ΔX	5	M16	23	30	32,5	49	12	33	72	77	110	126	15,5	26	25/30/35/40/45/50/55/60/70/80/90

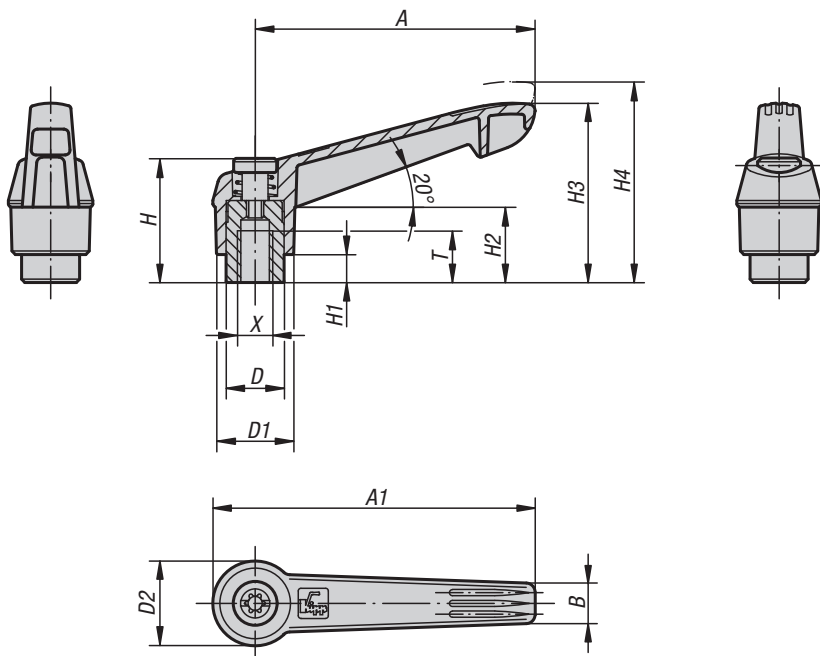
Adjustable Handles

Modern Design Style, plastic, inserts and internal components in stainless steel, internal thread



INCH
Parts

METRIC
Parts



For many people the Novo-Grip Adjustable Handle represents the key to secure and comfortable gripping. This handle provides a future-oriented and powerful solution for almost any operating and clamping problem.

Material:

Handle in fiberglass reinforced plastic with toothed wheel in die cast zinc; steel parts in stainless steel 1.4305

Type:

Steel parts natural finish.

Part Number Example:

K0270.1A086 (handle color signal green)

Note:

Δ Add the desired handle color here

On request:

Other internal threads and special versions. Dimension "H1" can be produced in other lengths at an additional charge.



black gray Δ = 1	orange Δ = 2	signal green Δ = 86	traffic red Δ = 84	bright yellow Δ = 16	traffic blue Δ = 87
RAL 7021	RAL 2004	RAL 6032	RAL 3020	RAL 1021	RAL 5017

Adjustable Handles

Modern Design Style, plastic, inserts and internal components in stainless steel, internal thread

KIPP Adjustable Handles, Modern Design Style, internal thread, components in stainless steel, inch

Item No.	Size	X	T	D	D1	D2	H	H1	H2	H3	H4	A	A1	B	No. of teeth
K0270.1A0Δ	1	10-24	9	10	13	14,5	24,5	4	15	30	33,5	40	47	7,5	16
K0270.1A1Δ	1	10-32	9	10	13	14,5	24,5	4	15	30	33,5	40	47	7,5	16
K0270.1A2Δ	1	1/4-20	9	10	13	14,5	24,5	4	15	30	33,5	40	47	7,5	16
K0270.2A2Δ	2	1/4-20	12	13,5	18	19,5	28,5	6,5	17,5	41,5	45,5	65	75	9,5	20
K0270.2A3Δ	2	5/16-18	12	13,5	18	19,5	28,5	6,5	17,5	41,5	45,5	65	75	9,5	20
K0270.3A3Δ	3	5/16-18	14	16	21,5	23	37	10	24	53,5	58	80	91,5	11	22
K0270.3A4Δ	3	3/8-16	14	16	21,5	23	37	10	24	53,5	58	80	91,5	11	22
K0270.4A4Δ	4	3/8-16	17	19	25,5	27,5	43	10	26	61	66	95	109	13	24
K0270.4A5Δ	4	1/2-13	17	19	25,5	27,5	43	10	26	61	66	95	109	13	24
K0270.5A5Δ	5	1/2-13	23	23	30	32,5	49	12	33	72	77	110	126	15,5	26
K0270.5A6Δ	5	5/8-11	23	23	30	32,5	49	12	33	72	77	110	126	15,5	26

KIPP Adjustable Handles, Modern Design Style, internal thread, components in stainless steel, metric

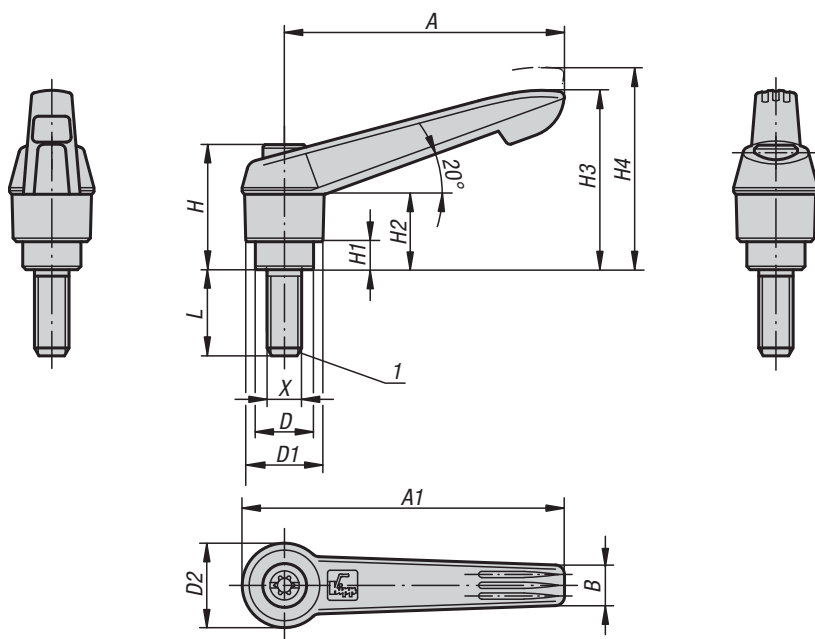
Item No.	Size	X	T	D	D1	D2	H	H1	H2	H3	H4	A	A1	B	No. of teeth
K0270.104Δ	1	M4	9	10	13	14,5	24,5	4	15	30	33,5	40	47	7,5	16
K0270.105Δ	1	M5	9	10	13	14,5	24,5	4	15	30	33,5	40	47	7,5	16
K0270.106Δ	1	M6	9	10	13	14,5	24,5	4	15	30	33,5	40	47	7,5	16
K0270.206Δ	2	M6	12	13,5	18	19,5	28,5	6,5	17,5	41,5	45,5	65	75	9,5	20
K0270.208Δ	2	M8	12	13,5	18	19,5	28,5	6,5	17,5	41,5	45,5	65	75	9,5	20
K0270.308Δ	3	M8	14	16	21,5	23	37	10	24	53,5	58	80	91,5	11	22
K0270.310Δ	3	M10	14	16	21,5	23	37	10	24	53,5	58	80	91,5	11	22
K0270.410Δ	4	M10	17	19	25,5	27,5	43	10	26	61	66	95	109	13	24
K0270.412Δ	4	M12	17	19	25,5	27,5	43	10	26	61	66	95	109	13	24
K0270.512Δ	5	M12	23	23	30	32,5	49	12	33	72	77	110	126	15,5	26
K0270.516Δ	5	M16	23	23	30	32,5	49	12	33	72	77	110	126	15,5	26

Adjustable Handles

Modern Design Style, plastic, bolts and internal components in stainless steel, external thread



INCH Parts
METRIC Parts



For many people the Novo-Grip Adjustable Handle represents the key to secure and comfortable gripping. This handle provides a future-oriented and powerful solution for almost any operating and clamping problem.

Material:
Handle in fiberglass reinforced plastic with toothed wheel in die cast zinc;
steel parts in stainless steel 1.4305

Type:
Steel parts natural finish.







Part Number Example:
K0270.1A01X15
(handle black gray;
include length L)

Note:
Δ Add the desired handle color here

On request:
Other external threads, screw lengths and special versions.
Dimension "H1" can be produced in other lengths at an additional charge.

Drawing reference:
1) flat point DIN 78



black gray Δ = 1  RAL 7021	orange Δ = 2  RAL 2004	signal green Δ = 86  RAL 6032	traffic red Δ = 84  RAL 3020	bright yellow Δ = 16  RAL 1021	traffic blue Δ = 87  RAL 5017
---	---	--	---	---	--

Adjustable Handles

Modern Design Style, plastic, bolts and internal components in stainless steel, external thread



KIPP Adjustable Handles, Modern Design Style, external thread, components in stainless steel, inch

Item No.	Size	X	D	D1	D2	H	H1	H2	H3	H4	A	A1	B	No. of teeth	L
K0270.1A0ΔX	1	10-24	10	13	14,5	24,5	4	15	30	33,5	40	47	7,5	16	15/20/25
K0270.1A1ΔX	1	10-32	10	13	14,5	24,5	4	15	30	33,5	40	47	7,5	16	15/20/25
K0270.1A2ΔX	1	1/4-20	10	13	14,5	24,5	4	15	30	33,5	40	47	7,5	16	10/15/20/25/30/40/50
K0270.2A2ΔX	2	1/4-20	13,5	18	19,5	28,5	6,5	17,5	41,5	45,5	65	75	9,5	20	15/20/25/30/40/50/60
K0270.2A3ΔX	2	5/16-18	13,5	18	19,5	28,5	6,5	17,5	41,5	45,5	65	75	9,5	20	15/20/25/30/40/50/60
K0270.2A4ΔX	2	3/8-16	13,5	18	19,5	28,5	6,5	17,5	41,5	45,5	65	75	9,5	20	20/25/30/40/50/60
K0270.3A3ΔX	3	5/16-18	16	21,5	23	37	10	24	53,5	58	80	91,5	11	22	20/25/30/40/50/60
K0270.3A4ΔX	3	3/8-16	16	21,5	23	37	10	24	53,5	58	80	91,5	11	22	20/25/30/40/50/60
K0270.4A5ΔX	4	1/2-13	19	25,5	27,5	43	10	26	61	66	95	109	13	24	25/30/40/50/60
K0270.5A6ΔX	5	5/8-11	23	30	32,5	49	12	33	72	77	110	126	15,5	26	30/40/50/60

KIPP Adjustable Handles, Modern Design Style “Novo-Grip”, external thread, components in stainless steel, metric

Item No.	Size	X	D	D1	D2	H	H1	H2	H3	H4	A	A1	B	No. of teeth	L
K0270.105ΔX	1	M5	10	13	14,5	24,5	4	15	30	33,5	40	47	7,5	16	10/15/20/25
K0270.106ΔX	1	M6	10	13	14,5	24,5	4	15	30	33,5	40	47	7,5	16	10/15/20/25/30/40/50
K0270.206ΔX	2	M6	13,5	18	19,5	28,5	6,5	17,5	41,5	45,5	65	75	9,5	20	15/20/25/30/40/50/60
K0270.208ΔX	2	M8	13,5	18	19,5	28,5	6,5	17,5	41,5	45,5	65	75	9,5	20	15/20/25/30/40/50/60
K0270.210ΔX	2	M10	13,5	18	19,5	28,5	6,5	17,5	41,5	45,5	65	75	9,5	20	20/25/30/40/50/60
K0270.308ΔX	3	M8	16	21,5	23	37	10	24	53,5	58	80	91,5	11	22	20/25/30/40/50/60
K0270.310ΔX	3	M10	16	21,5	23	37	10	24	53,5	58	80	91,5	11	22	20/25/30/40/50/60
K0270.412ΔX	4	M12	19	25,5	27,5	43	10	26	61	66	95	109	13	24	25/30/40/50/60
K0270.516ΔX	5	M16	23	30	32,5	49	12	33	72	77	110	126	15,5	26	30/40/50/60

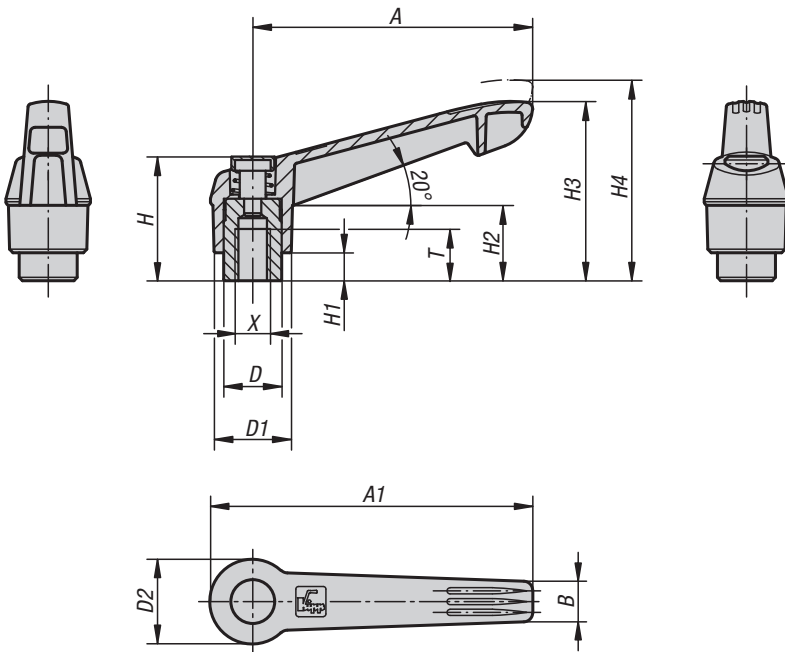
Adjustable Handles with push button

internal thread

INCH
Parts

METRIC
Parts

New Item



Material:

Handle fiberglass reinforced plastic, toothed ring die-cast zinc.
Steel parts quality class 5.8.
Push button plastic (POM).

Type:

Steel parts black oxide finish.

Part Number Example:

K0269.71104
(handle black gray, push button traffic red)

Note:

Δ Enter the desired handle color here.

The standard colors are:

Black gray handle, traffic red push button.

Orange handle, black gray push button.

Traffic red handle, black gray push button.

On request:

Other internal threads and special versions.

Dimension "H1" can be produced in other lengths at an additional charge.



Adjustable Handles with push button

internal thread



KIPP Adjustable Handles with push button, internal thread, inch

Item No.	Size	X	T	D	D1	D2	H	H1	H2	H3	H4	A	A1	B	No. of teeth
K0269.7Δ1AE	1	8-32	9	10	13	14,5	25,5	4	15	30	33,5	40	47	7,5	16
K0269.7Δ1A0	1	10-24	9	10	13	14,5	25,5	4	15	30	33,5	40	47	7,5	16
K0269.7Δ1A1	1	10-32	9	10	13	14,5	25,5	4	15	30	33,5	40	47	7,5	16
K0269.7Δ1A2	1	1/4-20	9	10	13	14,5	25,5	4	15	30	33,5	40	47	7,5	16
K0269.7Δ2A2	2	1/4-20	12	13,5	18	19,5	29,5	6,5	17,5	41,5	45,5	65	75	9,5	20
K0269.7Δ2A3	2	5/16-18	12	13,5	18	19,5	29,5	6,5	17,5	41,5	45,5	65	75	9,5	20
K0269.7Δ3A3	3	5/16-18	14	16	21,5	23	38,5	10	24	53,5	58	80	91,5	11	22
K0269.7Δ3A4	3	3/8-16	14	16	21,5	23	38,5	10	24	53,5	58	80	91,5	11	22
K0269.7Δ4A4	4	3/8-16	17	19	25,5	27,5	44,6	10	26	61	66	95	109	13	24
K0269.7Δ4A5	4	1/2-13	17	19	25,5	27,5	44,6	10	26	61	66	95	109	13	24
K0269.7Δ5A5	5	1/2-13	23	23	30	32,5	50,6	12	33	72	77	110	126	15,5	26
K0269.7Δ5A6	5	5/8-11	23	23	30	32,5	50,6	12	33	72	77	110	126	15,5	26

KIPP Adjustable Handles with push button, internal thread, metric

Item No.	Size	X	T	D	D1	D2	H	H1	H2	H3	H4	A	A1	B	No. of teeth
K0269.7Δ104	1	M4	9	10	13	14,5	25,5	4	15	30	33,5	40	47	7,5	16
K0269.7Δ105	1	M5	9	10	13	14,5	25,5	4	15	30	33,5	40	47	7,5	16
K0269.7Δ106	1	M6	9	10	13	14,5	25,5	4	15	30	33,5	40	47	7,5	16
K0269.7Δ206	2	M6	12	13,5	18	19,5	29,5	6,5	17,5	41,5	45,5	65	75	9,5	20
K0269.7Δ208	2	M8	12	13,5	18	19,5	29,5	6,5	17,5	41,5	45,5	65	75	9,5	20
K0269.7Δ308	3	M8	14	16	21,5	23	38,5	10	24	53,5	58	80	91,5	11	22
K0269.7Δ310	3	M10	14	16	21,5	23	38,5	10	24	53,5	58	80	91,5	11	22
K0269.7Δ410	4	M10	17	19	25,5	27,5	44,6	10	26	61	66	95	109	13	24
K0269.7Δ412	4	M12	17	19	25,5	27,5	44,6	10	26	61	66	95	109	13	24
K0269.7Δ512	5	M12	23	23	30	32,5	50,6	12	33	72	77	110	126	15,5	26
K0269.7Δ516	5	M16	23	23	30	32,5	50,6	12	33	72	77	110	126	15,5	26

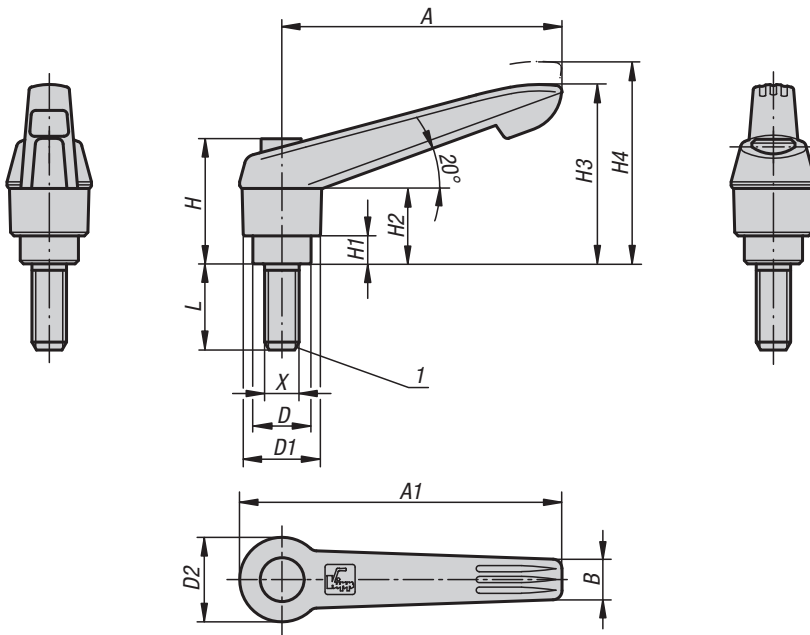
Adjustable Handles with push button

external thread

INCH
Parts

METRIC
Parts

New Item



Material:

Handle fiberglass reinforced plastic, toothed ring die-cast zinc.
Steel parts quality class 5.8.
Push button plastic (POM).

Type:

Steel parts black oxide finish.

Part Number Example:

K0269.71105X10
(handle black gray, push button traffic red. Include length L)

Note:

Δ Enter the desired handle color here.
The standard colors are:
Black gray handle, traffic red push button.
Orange handle, black gray push button.
Traffic red handle, black gray push button.

On request:

Other external threads, screw lengths and special versions.
Dimension "H1" can be produced in other lengths at an additional charge.

Drawing reference:

1) flat point DIN 78



Adjustable Handles with push button

external thread



KIPP Adjustable Handles with push button, external thread, inch

Item No.	Size	X	D	D1	D2	H	H1	H2	H3	H4	A	A1	B	No. of teeth	L
K0269.7Δ1A0X	1	10-24	10	13	14,5	25,5	4	15	30	33,5	40	47	7,5	16	10/15/20/25/30/35/40/45/50
K0269.7Δ1A1X	1	10-32	10	13	14,5	25,5	4	15	30	33,5	40	47	7,5	16	10/15/20/25/30/35/40/45/50
K0269.7Δ1A2X	1	1/4-20	10	13	14,5	25,5	4	15	30	33,5	40	47	7,5	16	10/15/20/25/30/35/40/45/50
K0269.7Δ2A2X	2	1/4-20	13,5	18	19,5	29,5	6,5	17,5	41,5	45,5	65	75	9,5	20	15/20/25/30/35/40/45/50/55/60
K0269.7Δ2A3X	2	5/16-18	13,5	18	19,5	29,5	6,5	17,5	41,5	45,5	65	75	9,5	20	15/20/25/30/35/40/45/50/55/60
K0269.7Δ2A4X	2	3/8-16	13,5	18	19,5	29,5	6,5	17,5	41,5	45,5	65	75	9,5	20	15/20/25/30/35/40/45/50/55/60
K0269.7Δ3A3X	3	5/16-18	16	21,5	23	38,5	10	24	53,5	58	80	91,5	11	22	15/25/20/30/35/40/45/50/55/60
K0269.7Δ3A4X	3	3/8-16	16	21,5	23	38,5	10	24	53,5	58	80	91,5	11	22	15/20/25/30/35/40/45/50/55/60
K0269.7Δ4A4X	4	3/8-16	19	25,5	27,5	44,6	10	26	61	66	95	109	13	24	20/25/30/35/40/50/55/45/60/70/80/90
K0269.7Δ4A5X	4	1/2-13	19	25,5	27,5	44,6	10	26	61	66	95	109	13	24	20/25/30/35/40/45/50/55/60/70/80/90
K0269.7Δ5A5X	5	1/2-13	23	30	32,5	50,6	12	33	72	77	110	126	15,5	26	25/30/35/40/45/50/55/60/70/80/90
K0269.7Δ5A6X	5	5/8-11	23	30	32,5	50,6	12	33	72	77	110	126	15,5	26	25/30/35/40/45/50/55/60/70/80/90

KIPP Adjustable Handles with push button, external thread, metric

Item No.	Size	X	D	D1	D2	H	H1	H2	H3	H4	A	A1	B	No. of teeth	L
K0269.7Δ105X	1	M5	10	13	14,5	25,5	4	15	30	33,5	40	47	7,5	16	10/15/20/25/30/35/40/45/50
K0269.7Δ106X	1	M6	10	13	14,5	25,5	4	15	30	33,5	40	47	7,5	16	10/15/20/25/30/35/40/45/50
K0269.7Δ206X	2	M6	13,5	18	19,5	29,5	6,5	17,5	41,5	45,5	65	75	9,5	20	15/20/25/30/35/40/45/50/55/60
K0269.7Δ208X	2	M8	13,5	18	19,5	29,5	6,5	17,5	41,5	45,5	65	75	9,5	20	15/20/25/30/35/40/45/50/55/60
K0269.7Δ210X	2	M10	13,5	18	19,5	29,5	6,5	17,5	41,5	45,5	65	75	9,5	20	15/20/25/30/35/40/45/50/55/60
K0269.7Δ308X	3	M8	16	21,5	23	38,5	10	24	53,5	58	80	91,5	11	22	15/20/25/30/35/40/45/50/55/60
K0269.7Δ310X	3	M10	16	21,5	23	38,5	10	24	53,5	58	80	91,5	11	22	15/20/25/30/35/40/45/50/55/60
K0269.7Δ410X	4	M10	19	25,5	27,5	44,6	10	26	61	66	95	109	13	24	20/25/30/35/40/45/50/55/60/70/80/90
K0269.7Δ412X	4	M12	19	25,5	27,5	44,6	10	26	61	66	95	109	13	24	20/25/30/35/40/45/50/55/60/70/80/90
K0269.7Δ512X	5	M12	23	30	32,5	50,6	12	33	72	77	110	126	15,5	26	25/30/35/40/45/50/55/60/70/80/90
K0269.7Δ516X	5	M16	23	30	32,5	50,6	12	33	72	77	110	126	15,5	26	25/30/35/40/45/50/55/60/70/80/90

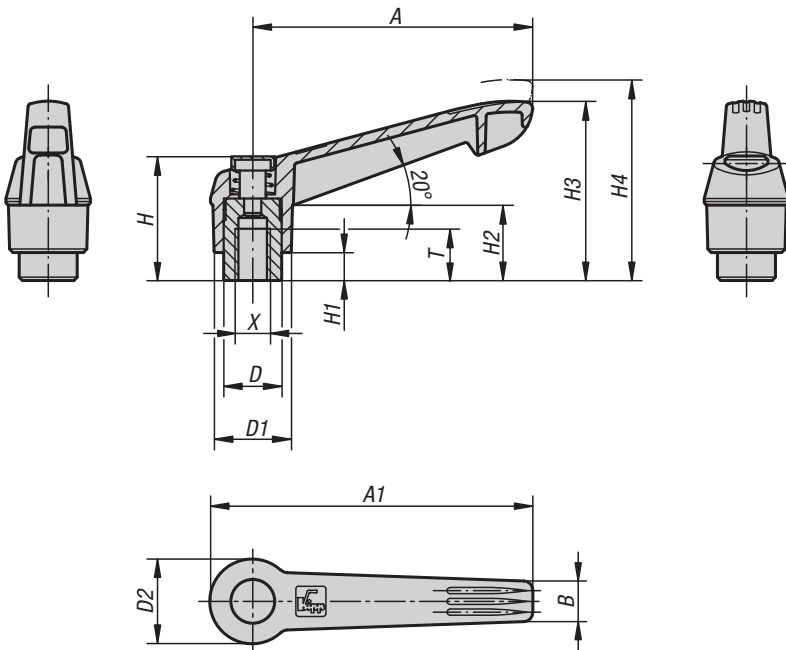
Adjustable Handles with push button

internal thread, metal parts stainless-steel

INCH
Parts

METRIC
Parts

New Item



Material:

Handle fiberglass reinforced plastic, toothed ring die-cast zinc.
Steel parts stainless steel 1.4305.
Push button plastic (POM).

Type:

Steel parts natural finish.

Part Number Example:

K0270.71104
(handle black gray, push button traffic red)

Note:

Δ Enter the desired handle color here.
The standard colors are:
Black gray handle, traffic red push button.
Orange handle, black gray push button.
Traffic red handle, black gray push button.

On request:

Other internal threads and special versions.
Dimension "H1" can be produced in other lengths at an additional charge.



Adjustable Handles with push button

internal thread, metal parts stainless-steel



KIPP Adjustable Handles with push button, internal thread, metal parts stainless steel, inch

Item No.	Size	X	T	D	D1	D2	H	H1	H2	H3	H4	A	A1	B	No. of teeth
K0270.7Δ1A0	1	10-24	9	10	13	14,5	25,5	4	15	30	33,5	40	47	7,5	16
K0270.7Δ1A1	1	10-32	9	10	13	14,5	25,5	4	15	30	33,5	40	47	7,5	16
K0270.7Δ1A2	1	1/4-20	9	10	13	14,5	25,5	4	15	30	33,5	40	47	7,5	16
K0270.7Δ2A2	2	1/4-20	12	13,5	18	19,5	29,5	6,5	17,5	41,5	45,5	65	75	9,5	20
K0270.7Δ2A3	2	5/16-18	12	13,5	18	19,5	29,5	6,5	17,5	41,5	45,5	65	75	9,5	20
K0270.7Δ3A3	3	5/16-18	14	16	21,5	23	38,5	10	24	53,5	58	80	91,5	11	22
K0270.7Δ3A4	3	3/8-16	14	16	21,5	23	38,5	10	24	53,5	58	80	91,5	11	22
K0270.7Δ4A4	4	3/8-16	17	19	25,5	27,5	44,6	10	26	61	66	95	109	13	24
K0270.7Δ4A5	4	1/2-13	17	19	25,5	27,5	44,6	10	26	61	66	95	109	13	24
K0270.7Δ5A5	5	1/2-13	23	23	30	32,5	50,6	12	33	72	77	110	126	15,5	26
K0270.7Δ5A6	5	5/8-11	23	23	30	32,5	50,6	12	33	72	77	110	126	15,5	26

KIPP Adjustable Handles with push button, internal thread, metal parts stainless steel, metric

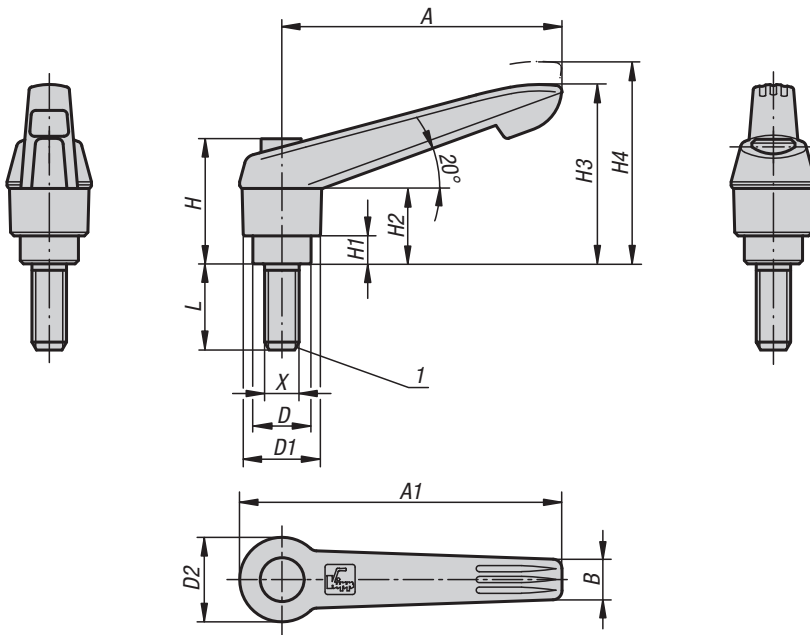
Item No.	Size	X	T	D	D1	D2	H	H1	H2	H3	H4	A	A1	B	No. of teeth
K0270.7Δ104	1	M4	9	10	13	14,5	25,5	4	15	30	33,5	40	47	7,5	16
K0270.7Δ105	1	M5	9	10	13	14,5	25,5	4	15	30	33,5	40	47	7,5	16
K0270.7Δ106	1	M6	9	10	13	14,5	25,5	4	15	30	33,5	40	47	7,5	16
K0270.7Δ206	2	M6	12	13,5	18	19,5	29,5	6,5	17,5	41,5	45,5	65	75	9,5	20
K0270.7Δ208	2	M8	12	13,5	18	19,5	29,5	6,5	17,5	41,5	45,5	65	75	9,5	20
K0270.7Δ308	3	M8	14	16	21,5	23	38,5	10	24	53,5	58	80	91,5	11	22
K0270.7Δ310	3	M10	14	16	21,5	23	38,5	10	24	53,5	58	80	91,5	11	22
K0270.7Δ410	4	M10	17	19	25,5	27,5	44,6	10	26	61	66	95	109	13	24
K0270.7Δ412	4	M12	17	19	25,5	27,5	44,6	10	26	61	66	95	109	13	24
K0270.7Δ512	5	M12	23	23	30	32,5	50,6	12	33	72	77	110	126	15,5	26
K0270.7Δ516	5	M16	23	23	30	32,5	50,6	12	33	72	77	110	126	15,5	26

Adjustable Handles with push button

external thread, metal parts stainless-steel

INCH Parts METRIC Parts

New Item



Material:

Handle fiberglass reinforced plastic, toothed ring die-cast zinc.
Steel parts stainless steel 1.4305.
Push button plastic (POM).

Type:

Steel parts natural finish.

Part Number Example:

K0270.71105X10
(handles black gray, push button traffic red. Include length L)

Note:

Δ Enter the desired handle color here.
The standard colors are:
Black gray handle, traffic red push button.
Orange handle, black gray push button.
Traffic red handle, black gray push button.

On request:

Other external threads, screw lengths and special versions.
Dimension "H1" can be produced in other lengths at an additional charge.

Drawing reference:

1) flat point DIN 78



Adjustable Handles with push button

external thread, metal parts stainless-steel



KIPP Adjustable Handles with push button, external thread, metal parts stainless steel, inch

Item No.	Size	X	D	D1	D2	H	H1	H2	H3	H4	A	A1	B	No. of teeth	L
K0270.7Δ1A0X	1	10-24	10	13	14,5	25,5	4	15	30	33,5	40	47	7,5	16	15/20/25
K0270.7Δ1A1X	1	10-32	10	13	14,5	25,5	4	15	30	33,5	40	47	7,5	16	15/20/25
K0270.7Δ1A2X	1	1/4-20	10	13	14,5	25,5	4	15	30	33,5	40	47	7,5	16	10/15/20/25/30/40/50
K0270.7Δ2A2X	2	1/4-20	13,5	18	19,5	29,5	6,5	17,5	41,5	45,5	65	75	9,5	20	15/20/25/30/40/50/60
K0270.7Δ2A3X	2	5/16-18	13,5	18	19,5	29,5	6,5	17,5	41,5	45,5	65	75	9,5	20	15/20/25/30/40/50/60
K0270.7Δ2A4X	2	3/8-16	13,5	18	19,5	29,5	6,5	17,5	41,5	45,5	65	75	9,5	20	20/25/30/40/50/60
K0270.7Δ3A3X	3	5/16-18	16	21,5	23	38,5	10	24	53,5	58	80	91,5	11	22	20/25/30/40/50/60
K0270.7Δ3A4X	3	3/8-16	16	21,5	23	38,5	10	24	53,5	58	80	91,5	11	22	20/25/30/40/50/60
K0270.7Δ4A5X	4	1/2-13	19	25,5	27,5	44,6	10	26	61	66	95	109	13	24	25/30/40/50/60
K0270.7Δ5A6X	5	5/8-11	23	30	32,5	50,6	12	33	72	77	110	126	15,5	26	30/40/50/60

KIPP Adjustable Handles with push button, external thread, metal parts stainless steel, metric

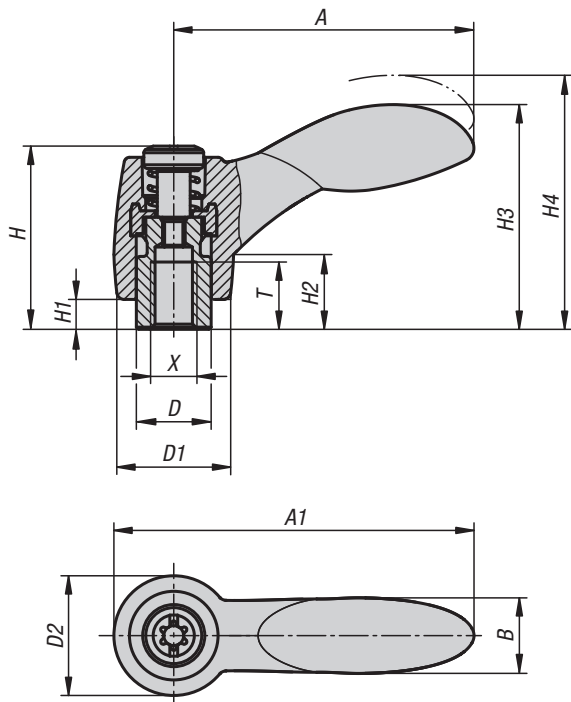
Item No.	Size	X	D	D1	D2	H	H1	H2	H3	H4	A	A1	B	No. of teeth	L
K0270.7Δ105X	1	M5	10	13	14,5	25,5	4	15	30	33,5	40	47	7,5	16	10/15/20/25
K0270.7Δ106X	1	M6	10	13	14,5	25,5	4	15	30	33,5	40	47	7,5	16	10/15/20/25/30/40/50
K0270.7Δ206X	2	M6	13,5	18	19,5	29,5	6,5	17,5	41,5	45,5	65	75	9,5	20	15/20/25/30/40/50/60
K0270.7Δ208X	2	M8	13,5	18	19,5	29,5	6,5	17,5	41,5	45,5	65	75	9,5	20	15/20/25/30/40/50/60
K0270.7Δ210X	2	M10	13,5	18	19,5	29,5	6,5	17,5	41,5	45,5	65	75	9,5	20	20/25/30/40/50/60
K0270.7Δ308X	3	M8	16	21,5	23	38,5	10	24	53,5	58	80	91,5	11	22	20/25/30/40/50/60
K0270.7Δ310X	3	M10	16	21,5	23	38,5	10	24	53,5	58	80	91,5	11	22	20/25/30/40/50/60
K0270.7Δ412X	4	M12	19	25,5	27,5	44,6	10	26	61	66	95	109	13	24	25/30/40/50/60
K0270.7Δ516X	5	M16	23	30	32,5	50,6	12	33	72	77	110	126	15,5	26	30/40/50/60

Adjustable Handles 2K

two-component with internal thread



INCH Parts METRIC Parts



Material:

Handle:
Hard component in fiberglass reinforced plastic with die cast zinc toothed ring.
Soft component:
Thermoflex based on SEBS.
Steel parts:
Quality class 5.8.

Type:

Steel parts black oxide finish.

Part Number Example:

K0125.1AE01

Note:

The hard and soft components are supplied in black gray RAL 7021 as standard.

On request:

Other internal threads, color combinations and special versions.
Dimension "H1" can be produced in other lengths at an additional charge.

KIPP Adjustable Handles 2K with internal thread, inch

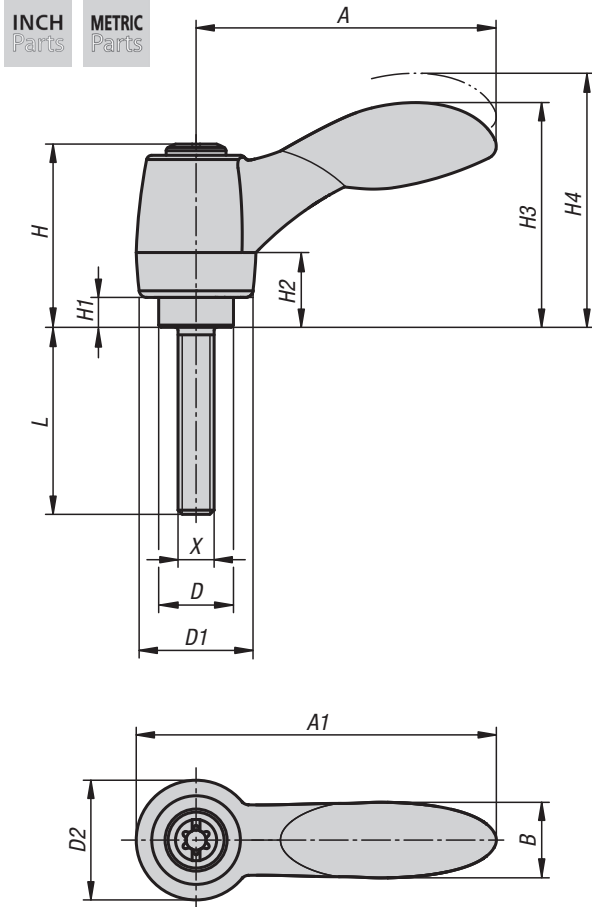
Item No.	Size	X	T	D	D1	D2	H	H1	H2	H3	H4	A	A1	B	No. of teeth
K0125.1AE01	1	8-32	9	10	15	16	24,5	4	10	30	33,5	40,1	48,1	10,1	16
K0125.1A001	1	10-24	9	10	15	16	24,5	4	10	30	33,5	40,1	48,1	10,1	16
K0125.1A101	1	10-32	9	10	15	16	24,5	4	10	30	33,5	40,1	48,1	10,1	16
K0125.1A201	1	1/4-20	9	10	15	16	24,5	4	10	30	33,5	40,1	48,1	10,1	16
K0125.2A201	2	1/4-20	12	13,5	17,5	19	28,5	6,5	12,5	41,2	45,2	64,9	74,4	17,6	20
K0125.2A301	2	5/16-18	12	13,5	17,5	19	28,5	6,5	12,5	41,2	45,2	64,9	74,4	17,6	20
K0125.3A301	3	5/16-18	14	16	21	22	37	10	17	51,6	56,1	80,2	91,2	20,7	22
K0125.3A401	3	3/8-16	14	16	21	22	37	10	17	51,6	56,1	80,2	91,2	20,7	22

KIPP Adjustable Handles 2K with internal thread, metric

Item No.	Size	X	T	D	D1	D2	H	H1	H2	H3	H4	A	A1	B	No. of teeth
K0125.10401	1	M4	9	10	15	16	24,5	4	10	30	33,5	40,1	48,1	10,1	16
K0125.10501	1	M5	9	10	15	16	24,5	4	10	30	33,5	40,1	48,1	10,1	16
K0125.10601	1	M6	9	10	15	16	24,5	4	10	30	33,5	40,1	48,1	10,1	16
K0125.20601	2	M6	12	13,5	17,5	19	28,5	6,5	12,5	41,2	45,2	64,9	74,4	17,6	20
K0125.20801	2	M8	12	13,5	17,5	19	28,5	6,5	12,5	41,2	45,2	64,9	74,4	17,6	20
K0125.30801	3	M8	14	16	21	22	37	10	17	51,6	56,1	80,2	91,2	20,7	22
K0125.31001	3	M10	14	16	21	22	37	10	17	51,6	56,1	80,2	91,2	20,7	22

Adjustable Handles 2K

two-component with external thread



Material:

Handle:

Hard component in fiberglass reinforced plastic with die cast zinc toothed ring.

Soft component:

Thermoflex based on SEBS.

Steel parts:

Quality class 5.8.

Type:

Steel parts black oxide finish.

Part Number Example:

K0125.1A001X10

(include length L)

Note:

The hard and soft components are supplied in black gray RAL 7021 as standard.

On request:

Other external threads, screw lengths, color combinations and special versions.

Dimension "H1" can be produced in other lengths at an additional charge.

KIPP Adjustable Handles 2K with external thread, inch

Item No.	Size	X	D	D1	D2	H	H1	H2	H3	H4	A	A1	B	No. of teeth	L
K0125.1A001X	1	10-24	10	15	16	24,5	4	10	30	33,5	40,1	48,1	10,1	16	10/15/20/25/30/35/40/45/50
K0125.1A101X	1	10-32	10	15	16	24,5	4	10	30	33,5	40,1	48,1	10,1	16	10/15/20/25/30/35/40/45/50
K0125.1A201X	1	1/4-20	10	15	16	24,5	4	10	30	33,5	40,1	48,1	10,1	16	10/15/20/25/30/35/40/45/50
K0125.2A201X	2	1/4-20	13,5	17,5	19	28,5	6,5	12,5	41,2	45,2	64,9	74,4	17,6	20	15/20/25/30/35/40/45/50/55/60
K0125.2A301X	2	5/16-18	13,5	17,5	19	28,5	6,5	12,5	41,2	45,2	64,9	74,4	17,6	20	15/20/25/30/35/40/45/50/55/60
K0125.2A401X	2	3/8-16	13,5	17,5	19	28,5	6,5	12,5	41,2	45,2	64,9	74,4	17,6	20	15/20/25/30/35/40/45/50/55/60
K0125.3A301X	3	5/16-18	16	21	22	37	10	17	51,6	56,1	80,2	91,2	20,7	22	15/20/25/30/35/40/45/50/55/60
K0125.3A401X	3	3/8-16	16	21	22	37	10	17	51,6	56,1	80,2	91,2	20,7	22	15/20/25/30/35/40/45/50/55/60

KIPP Adjustable Handles 2K with external thread, metric

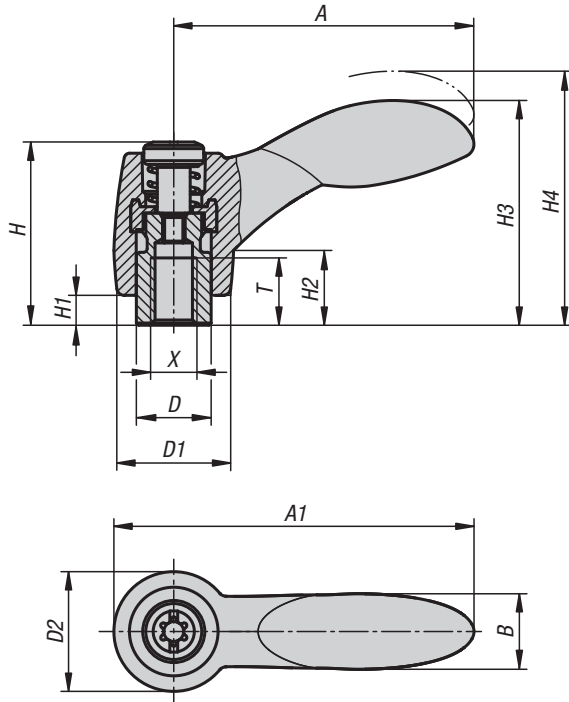
Item No.	Size	X	D	D1	D2	H	H1	H2	H3	H4	A	A1	B	No. of teeth	L
K0125.10501X	1	M5	10	15	16	24,5	4	10	30	33,5	40,1	48,1	10,1	16	10/15/20/25/30/35/40/45/50
K0125.10601X	1	M6	10	15	16	24,5	4	10	30	33,5	40,1	48,1	10,1	16	10/15/20/25/30/35/40/45/50
K0125.20601X	2	M6	13,5	17,5	19	28,5	6,5	12,5	41,2	45,2	64,9	74,4	17,6	20	15/20/25/30/35/40/45/50/55/60
K0125.20801X	2	M8	13,5	17,5	19	28,5	6,5	12,5	41,2	45,2	64,9	74,4	17,6	20	15/20/25/30/35/40/45/50/55/60
K0125.21001X	2	M10	13,5	17,5	19	28,5	6,5	12,5	41,2	45,2	64,9	74,4	17,6	20	15/20/25/30/35/40/45/50/55/60
K0125.30801X	3	M8	16	21	22	37	10	17	51,6	56,1	80,2	91,2	20,7	22	15/20/25/30/35/40/45/50/55/60
K0125.31001X	3	M10	16	21	22	37	10	17	51,6	56,1	80,2	91,2	20,7	22	15/20/25/30/35/40/45/50/55/60

Adjustable Handles 2K

two-component with internal thread, steel parts in stainless steel



INCH Parts METRIC Parts



Material:

Handle:
Hard component in fiberglass reinforced plastic with die cast zinc toothed ring.
Soft component:
Thermoflex based on SEBS.
Steel parts:
Stainless steel, 1.4305.

Type:

Steel parts natural finish.

Part Number Example:

K0126.1A001

Note:

The hard and soft components are supplied in black gray RAL 7021 as standard.

On request:

Other internal threads, color combinations and special versions.
Dimension "H1" can be produced in other lengths at an additional charge.

KIPP Adjustable Handles 2K with internal thread, steel parts in stainless steel, inch

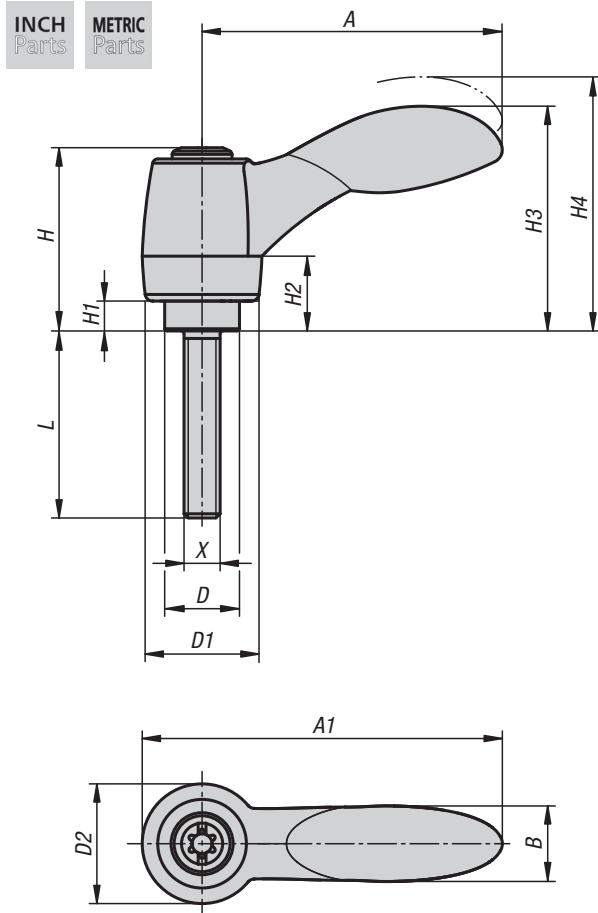
Item No.	Size	X	T	D	D1	D2	H	H1	H2	H3	H4	A	A1	B	No. of teeth
K0126.1A001	1	10-24	9	10	15	16	24,5	4	10	30	33,5	40,1	48,1	10,1	16
K0126.1A101	1	10-32	9	10	15	16	24,5	4	10	30	33,5	40,1	48,1	10,1	16
K0126.1A201	1	1/4-20	9	10	15	16	24,5	4	10	30	33,5	40,1	48,1	10,1	16
K0126.2A201	2	1/4-20	12	13,5	17,5	19	28,5	6,5	12,5	41,2	45,2	64,9	74,4	17,6	20
K0126.2A301	2	5/16-18	12	13,5	17,5	19	28,5	6,5	12,5	41,2	45,2	64,9	74,4	17,6	20
K0126.3A301	3	5/16-18	14	16	21	22	37	10	17	51,6	56,1	80,2	91,2	20,7	22
K0126.3A401	3	3/8-16	14	16	21	22	37	10	17	51,6	56,1	80,2	91,2	20,7	22

KIPP Adjustable Handles 2K with internal thread, steel parts in stainless steel, metric

Item No.	Size	X	T	D	D1	D2	H	H1	H2	H3	H4	A	A1	B	No. of teeth
K0126.10401	1	M4	9	10	15	16	24,5	4	10	30	33,5	40,1	48,1	10,1	16
K0126.10501	1	M5	9	10	15	16	24,5	4	10	30	33,5	40,1	48,1	10,1	16
K0126.10601	1	M6	9	10	15	16	24,5	4	10	30	33,5	40,1	48,1	10,1	16
K0126.20601	2	M6	12	13,5	17,5	19	28,5	6,5	12,5	41,2	45,2	64,9	74,4	17,6	20
K0126.20801	2	M8	12	13,5	17,5	19	28,5	6,5	12,5	41,2	45,2	64,9	74,4	17,6	20
K0126.30801	3	M8	14	16	21	22	37	10	17	51,6	56,1	80,2	91,2	20,7	22
K0126.31001	3	M10	14	16	21	22	37	10	17	51,6	56,1	80,2	91,2	20,7	22

Adjustable Handles 2K

two-component with external thread, steel parts in stainless steel



Material:

Handle:

Hard component in fiberglass reinforced plastic with die cast zinc toothed ring.

Soft component:

Thermoflex based on SEBS.

Steel parts:

Stainless steel 1.4305

Type:

Steel parts natural finish.

Part Number Example:

K0126.1A001X10

(include length L)

Note:

The hard and soft components are supplied in black gray RAL 7021 as standard.

On request:

Other external threads, screw lengths, color combinations and special versions.

Dimension "H1" can be produced in other lengths at an additional charge.

KIPP Adjustable Handles 2K with external thread, steel parts in stainless steel, inch

Item No.	Size	X	D	D1	D2	H	H1	H2	H3	H4	A	A1	B	No. of teeth	L
K0126.1A001X	1	10-24	10	15	16	24,5	4	10	30	33,5	40,1	48,1	10,1	16	10/15/20/25
K0126.1A101X	1	10-32	10	15	16	24,5	4	10	30	33,5	40,1	48,1	10,1	16	10/15/20/25
K0126.1A201X	1	1/4-20	10	15	16	24,5	4	10	30	33,5	40,1	48,1	10,1	16	10/15/20/25/30/40/50
K0126.2A201X	2	1/4-20	13,5	17,5	19	28,5	6,5	12,5	41,2	45,2	64,9	74,4	17,6	20	15/20/25/30/40/50/60
K0126.2A301X	2	5/16-18	13,5	17,5	19	28,5	6,5	12,5	41,2	45,2	64,9	74,4	17,6	20	15/20/25/30/40/50/60
K0126.2A401X	2	3/8-16	13,5	17,5	19	28,5	6,5	12,5	41,2	45,2	64,9	74,4	17,6	20	20/25/30/40/50/60
K0126.3A301X	3	5/16-18	16	21	22	37	10	17	51,6	56,1	80,2	91,2	20,7	22	20/25/30/40/50/60
K0126.3A401X	3	3/8-16	16	21	22	37	10	17	51,6	56,1	80,2	91,2	20,7	22	20/25/30/40/50/60

KIPP Adjustable Handles 2K with external thread, steel parts in stainless steel, metric

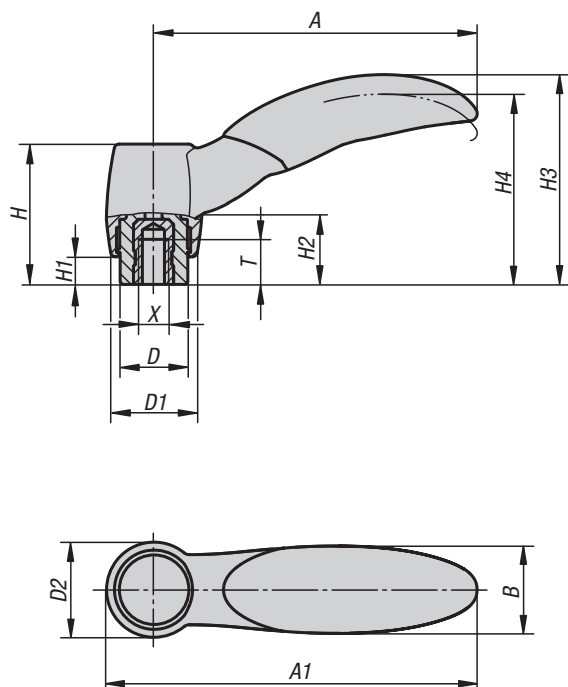
Item No.	Size	X	D	D1	D2	H	H1	H2	H3	H4	A	A1	B	No. of teeth	L
K0126.10501X	1	M5	10	15	16	24,5	4	10	30	33,5	40,1	48,1	10,1	16	10/15/20/25
K0126.10601X	1	M6	10	15	16	24,5	4	10	30	33,5	40,1	48,1	10,1	16	10/15/20/25/30/40/50
K0126.20601X	2	M6	13,5	17,5	19	28,5	6,5	12,5	41,2	45,2	64,9	74,4	17,6	20	15/20/25/30/40/50/60
K0126.20801X	2	M8	13,5	17,5	19	28,5	6,5	12,5	41,2	45,2	64,9	74,4	17,6	20	15/20/25/30/40/50/60
K0126.21001X	2	M10	13,5	17,5	19	28,5	6,5	12,5	41,2	45,2	64,9	74,4	17,6	20	20/25/30/40/50/60
K0126.30801X	3	M8	16	21	22	37	10	17	51,6	56,1	80,2	91,2	20,7	22	20/25/30/40/50/60
K0126.31001X	3	M10	16	21	22	37	10	17	51,6	56,1	80,2	91,2	20,7	22	20/25/30/40/50/60

Adjustable Handles ECO

internal thread



INCH Parts METRIC Parts



Press to disengage



Material:

Handle and insert reinforced plastic.

For size 1 and 2, brass bushing.
For size 3, steel bushing.

Type:

Steel blue chromate.

Part Number Example:

K0252.1AE1

Note:

Standard color is black gray RAL 7021.

On request:

Other internal threads, colors and special versions at an additional charge.

KIPP Adjustable Handles ECO internal thread, inch

Item No.	Size	X	T	D	D1	D2	H	H1	H2	H3	H4	A	A1	B	No. of teeth
K0252.1AE1	1	8-32	6	10	12,6	14,1	21,7	5	11,3	32	29,1	47,9	55	13	12
K0252.1A11	1	10-32	6	10	12,6	14,1	21,7	5	11,3	32	29,1	47,9	55	13	12
K0252.2A11	2	10-32	7,5	13,5	17	19	28	5,5	14	41,9	38	64,5	74	17,5	12
K0252.2A21	2	1/4-20	9	13,5	17	19	28	5,5	14	41,9	38	64,5	74	17,5	12
K0252.2A31	2	5/16-18	9	13,5	17	19	28	5,5	14	41,9	38	64,5	74	17,5	12
K0252.3A31	3	5/16-18	14,5	17	20,4	23,9	40,7	10	23,1	58,1	53,3	81,1	93	22	12
K0252.3A41	3	3/8-16	14,5	17	20,4	23,9	40,7	10	23,1	58,1	53,3	81,1	93	22	12

KIPP Adjustable Handles ECO internal thread, metric

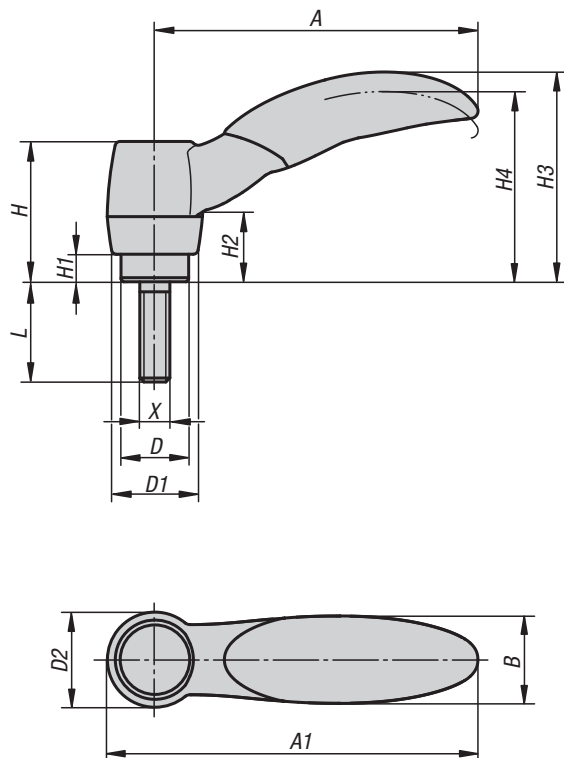
Item No.	Size	X	T	D	D1	D2	H	H1	H2	H3	H4	A	A1	B	No. of teeth
K0252.1041	1	M4	6	10	12,6	14,1	21,7	5	11,3	32	29,1	47,9	55	13	12
K0252.1051	1	M5	6	10	12,6	14,1	21,7	5	11,3	32	29,1	47,9	55	13	12
K0252.2051	2	M5	7,5	13,5	17	19	28	5,5	14	41,9	38	64,5	74	17,5	12
K0252.2061	2	M6	9	13,5	17	19	28	5,5	14	41,9	38	64,5	74	17,5	12
K0252.2081	2	M8	9	13,5	17	19	28	5,5	14	41,9	38	64,5	74	17,5	12
K0252.3081	3	M8	12	17	20,4	23,9	40,7	10	23,1	58,1	53,3	81,1	93	22	12
K0252.3101	3	M10	12	17	20,4	23,9	40,7	10	23,1	58,1	53,3	81,1	93	22	12

Adjustable Handles ECO

external thread



INCH Parts METRIC Parts



Press to disengage



Material:

Handle and insert reinforced plastic.
Steel parts quality class 5.8.

Type:

Steel blue chromate.

Part Number Example:

K0252.1041X10
(include length L)

Note:

Standard color is black gray RAL 7021.

On request:

Other external threads, colors and special versions at an additional charge.

KIPP Adjustable Handles ECO external thread, inch

Item No.	Size	X	D	D1	D2	H	H1	H2	H3	H4	A	A1	B	No. of teeth	L
K0252.1AE1X	1	8-32	10	12.6	14.1	21.7	5	11.3	32	29.1	47.9	55	13	12	10/20
K0252.1A11X	1	10-32	10	12.6	14.1	21.7	5	11.3	32	29.1	47.9	55	13	12	10/20
K0252.2A11X	2	10-32	13.5	17	19	28	5.5	14	41.9	38	64.5	74	17.5	12	20/30/40
K0252.2A21X	2	1/4-20	13.5	17	19	28	5.5	14	41.9	38	64.5	74	17.5	12	20/30/40
K0252.2A31X	2	5/16-18	13.5	17	19	28	5.5	14	41.9	38	64.5	74	17.5	12	20/30/40
K0252.3A31X	3	5/16-18	17	20.4	23.9	40.7	10	23.1	58.1	53.3	81.1	93	22	12	20/40/60
K0252.3A41X	3	3/8-16	17	20.4	23.9	40.7	10	23.1	58.1	53.3	81.1	93	22	12	20/40/60

KIPP Adjustable Handles ECO external thread, metric

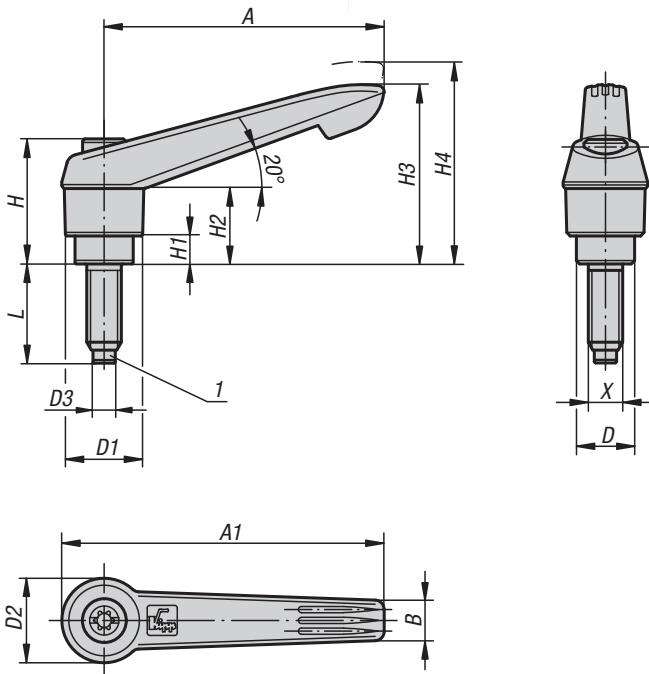
Item No.	Size	X	D	D1	D2	H	H1	H2	H3	H4	A	A1	B	No. of teeth	L
K0252.1041X	1	M4	10	12,6	14,1	21,7	5	11,3	32	29,1	47,9	55	13	12	10/15/20
K0252.1051X	1	M5	10	12,6	14,1	21,7	5	11,3	32	29,1	47,9	55	13	12	10/15/20/25
K0252.2051X	2	M5	13,5	17	19	28	5,5	14	41,9	38	64,5	74	17,5	12	10/15/20/25/30/40
K0252.2061X	2	M6	13,5	17	19	28	5,5	14	41,9	38	64,5	74	17,5	12	10/15/20/25/30/40
K0252.2081X	2	M8	13,5	17	19	28	5,5	14	41,9	38	64,5	74	17,5	12	10/15/20/25/30/40
K0252.3081X	3	M8	17	20,4	23,9	40,7	10	23,1	58,1	53,3	81,1	93	22	12	20/25/30/40/50/60
K0252.3101X	3	M10	17	20,4	23,9	40,7	10	23,1	58,1	53,3	81,1	93	22	12	20/25/30/40/50/60

Adjustable Handles with thrust pin

external thread

METRIC
Parts

New Item



Material:

Handles fiberglass reinforced plastic with die-cast zinc toothed rings.
Steel parts quality class 5.8.
Thrust pin, brass.

Type:

Steel parts black oxide finish.

Part Number Example:

K0780.12061X20

Note:

These components are used to prevent marring the workpiece surface.

On request:

Other external threads, screw lengths, clamp lever colors and thrust pin types as well as special versions.

Dimension "H1" optionally available in other lengths at an additional charge.

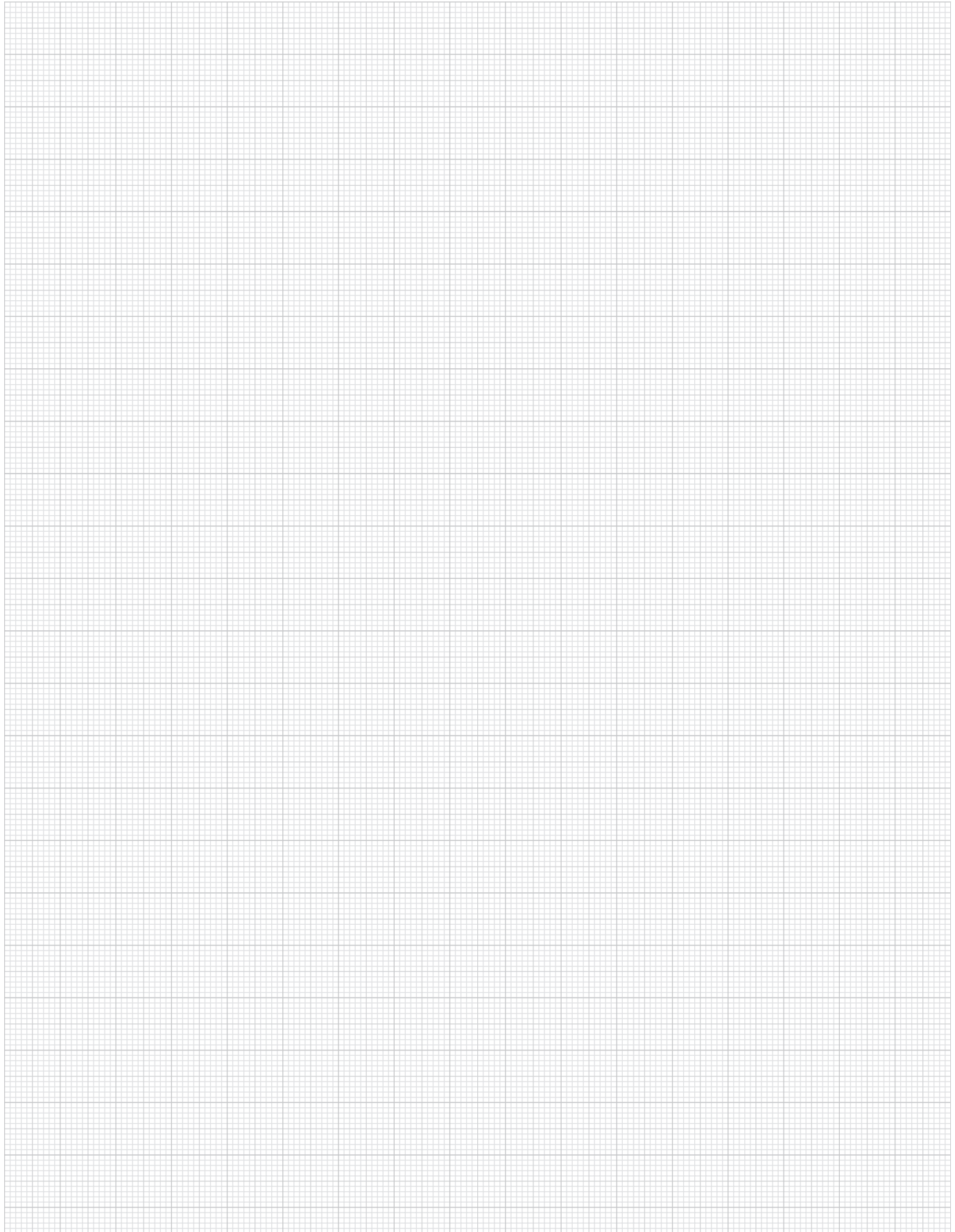
Drawing reference:

1) Thrust pin

KIPP Adjustable Handles with thrust pin external thread, metric

Item No.	Size	X	D	D1	D2	D3	H	H1	H2	H3	H4	A	A1	B	No. of teeth	L
K0780.11051X20	1	M5	10	13	14,5	3	24,5	4	15	30	33,5	40	47	7,5	16	20
K0780.11051X30	1	M5	10	13	14,5	3	24,5	4	15	30	33,5	40	47	7,5	16	30
K0780.11051X40	1	M5	10	13	14,5	3	24,5	4	15	30	33,5	40	47	7,5	16	40
K0780.11051X50	1	M5	10	13	14,5	3	24,5	4	15	30	33,5	40	47	7,5	16	50
K0780.11061X20	1	M6	10	13	14,5	4	24,5	4	15	30	33,5	40	47	7,5	16	20
K0780.11061X30	1	M6	10	13	14,5	4	24,5	4	15	30	33,5	40	47	7,5	16	30
K0780.11061X40	1	M6	10	13	14,5	4	24,5	4	15	30	33,5	40	47	7,5	16	40
K0780.11061X50	1	M6	10	13	14,5	4	24,5	4	15	30	33,5	40	47	7,5	16	50
K0780.12061X20	2	M6	13,5	18	19,5	4	28,5	6,5	17,5	41,5	45,5	65	75	9,5	20	20
K0780.12061X30	2	M6	13,5	18	19,5	4	28,5	6,5	17,5	41,5	45,5	65	75	9,5	20	30
K0780.12061X40	2	M6	13,5	18	19,5	4	28,5	6,5	17,5	41,5	45,5	65	75	9,5	20	40
K0780.12061X50	2	M6	13,5	18	19,5	4	28,5	6,5	17,5	41,5	45,5	65	75	9,5	20	50
K0780.12061X60	2	M6	13,5	18	19,5	4	28,5	6,5	17,5	41,5	45,5	65	75	9,5	20	60
K0780.12081X20	2	M8	13,5	18	19,5	5,5	28,5	6,5	17,5	41,5	45,5	65	75	9,5	20	20
K0780.12081X30	2	M8	13,5	18	19,5	5,5	28,5	6,5	17,5	41,5	45,5	65	75	9,5	20	30
K0780.12081X40	2	M8	13,5	18	19,5	5,5	28,5	6,5	17,5	41,5	45,5	65	75	9,5	20	40
K0780.12081X50	2	M8	13,5	18	19,5	5,5	28,5	6,5	17,5	41,5	45,5	65	75	9,5	20	50
K0780.12081X60	2	M8	13,5	18	19,5	5,5	28,5	6,5	17,5	41,5	45,5	65	75	9,5	20	60
K0780.12101X20	2	M10	13,5	18	19,5	7	28,5	6,5	17,5	41,5	45,5	65	75	9,5	20	20
K0780.12101X30	2	M10	13,5	18	19,5	7	28,5	6,5	17,5	41,5	45,5	65	75	9,5	20	30
K0780.12101X40	2	M10	13,5	18	19,5	7	28,5	6,5	17,5	41,5	45,5	65	75	9,5	20	40
K0780.12101X50	2	M10	13,5	18	19,5	7	28,5	6,5	17,5	41,5	45,5	65	75	9,5	20	50
K0780.12101X60	2	M10	13,5	18	19,5	7	28,5	6,5	17,5	41,5	45,5	65	75	9,5	20	60

Notes:

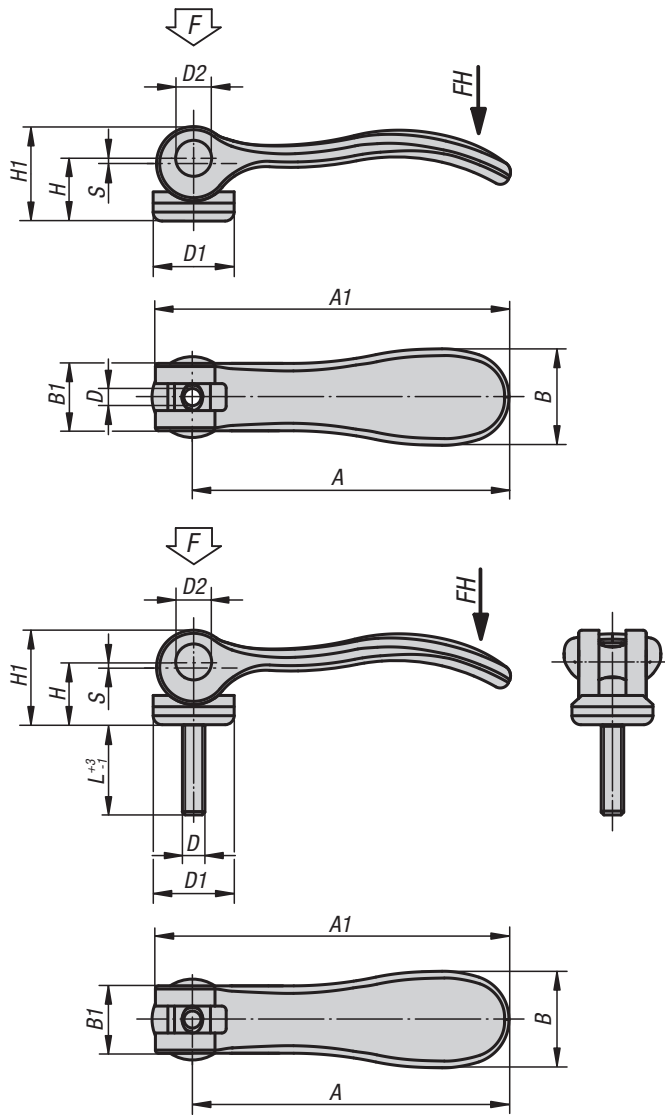


Cam Levers

with internal and external thread

Expanded Line

INCH
Parts



Material:

Handles cast aluminum EN AC-46200.
Thrust washer plastic PA 66 GF 35-X fiberglass reinforced.
Hinge pin stainless steel 1.4305.
Studs and washer steel quality class 5.8 or stainless steel 1.4305.

Type:

Handles fine structure powder-coated, black or red RAL 3003;
thrust washer black;
hinge pin natural finish;
threaded stud and washer in steel blue chromate or stainless steel natural finish

Part Number Example:

K0005.95011ADX10
(include length L)

Note:

Plastic materials are subject to creep under compression (Retardation).

KIPP Cam Levers black, internal thread, inch

Item No. steel	Item No. stainless steel	D	D1	D2	B	B1	H	H1	A	A1	Stroke S	Clamping force F (kN)	Hand force FH N
K0005.95011AD	K0005.95111AD	6-32	12	6	14,4	11,5	9	13	36,2	41,7	1	1,5	90
K0005.95011AE	K0005.95111AE	8-32	12	6	14,4	11,5	9	13	36,2	41,7	1	1,5	90
K0005.05011AE	K0005.05111AE	8-32	15,4	8	18	13	11,2	17	52,3	59,1	1	2,5	100
K0005.05011A0	K0005.05111A0	10-24	15,4	8	18	13	11,2	17	52,3	59,1	1	2,5	100
K0005.05011A1	K0005.05111A1	10-32	15,4	8	18	13	11,2	17	52,3	59,1	1	2,5	100
K0005.15011A1	K0005.15111A1	10-32	18,1	9	21,5	15	14,5	22	70,4	79,2	1,2	4	120
K0005.15011A2	K0005.15111A2	1/4-20	18,1	9	21,5	15	14,5	22	70,4	79,2	1,2	4	120
K0005.25011A3	K0005.25111A3	5/16-18	27,1	11	33,3	24	18	28,5	96	108	1,5	8	350

KIPP Cam Levers red, internal thread, inch

Item No. steel	Item No. stainless steel	D	D1	D2	B	B1	H	H1	A	A1	Stroke S	Clamping force F (kN)	Hand force FH N
K0005.95014AD	K0005.95114AD	6-32	12	6	14,4	11,5	9	13	36,2	41,7	1	1,5	90
K0005.95014AE	K0005.95114AE	8-32	12	6	14,4	11,5	9	13	36,2	41,7	1	1,5	90
K0005.05014AE	K0005.05114AE	8-32	15,4	8	18	13	11,2	17	52,3	59,1	1	2,5	100
K0005.05014A0	K0005.05114A0	10-24	15,4	8	18	13	11,2	17	52,3	59,1	1	2,5	100
K0005.05014A1	K0005.05114A1	10-32	15,4	8	18	13	11,2	17	52,3	59,1	1	2,5	100
K0005.15014A1	K0005.15114A1	10-32	18,1	9	21,5	15	14,5	22	70,4	79,2	1,2	4	120
K0005.15014A2	K0005.15114A2	1/4-20	18,1	9	21,5	15	14,5	22	70,4	79,2	1,2	4	120
K0005.25014A3	K0005.25114A3	5/16-18	27,1	11	33,3	24	18	28,5	96	108	1,5	8	350

KIPP Cam Levers black, external thread, inch

Item No. steel	Item No. stainless steel	D	D1	D2	B	B1	H	H1	A	A1	L	Stroke S	Clamping force F (kN)	Hand force FH N
K0005.95011ADX	K0005.95111ADX	6-32	12	6	14,4	11,5	9	13	36,2	41,7	10/15/30	1	1,5	90
K0005.95011AEX	K0005.95111AEX	8-32	12	6	14,4	11,5	9	13	36,2	41,7	10/15/30	1	1,5	90
K0005.05011AEX	K0005.05111AEX	8-32	15,4	8	18	13	11,2	17	52,3	59,1	15/20/30	1	2,5	100
K0005.05011A0X	K0005.05111A0X	10-24	15,4	8	18	13	11,2	17	52,3	59,1	20/30/40/50	1	2,5	100
K0005.05011A1X	K0005.05111A1X	10-32	15,4	8	18	13	11,2	17	52,3	59,1	20/30/40/50	1	2,5	100
K0005.15011A1X	K0005.15111A1X	10-32	18,1	9	21,5	15	14,5	22	70,4	79,2	20/30/40/50	1,2	4	120
K0005.15011A2X	K0005.15111A2X	1/4-20	18,1	9	21,5	15	14,5	22	70,4	79,2	20/30/40/50	1,2	4	120
K0005.25011A3X	K0005.25111A3X	5/16-18	27,1	11	33,3	24	18	28,5	96	108	25/30/40/50	1,5	8	350
K0005.25011A4X	K0005.25111A4X	3/8-16	27,1	11	33,3	24	18	28,5	96	108	25/30/40/50	1,5	8	350

KIPP Cam Levers red, external thread, inch

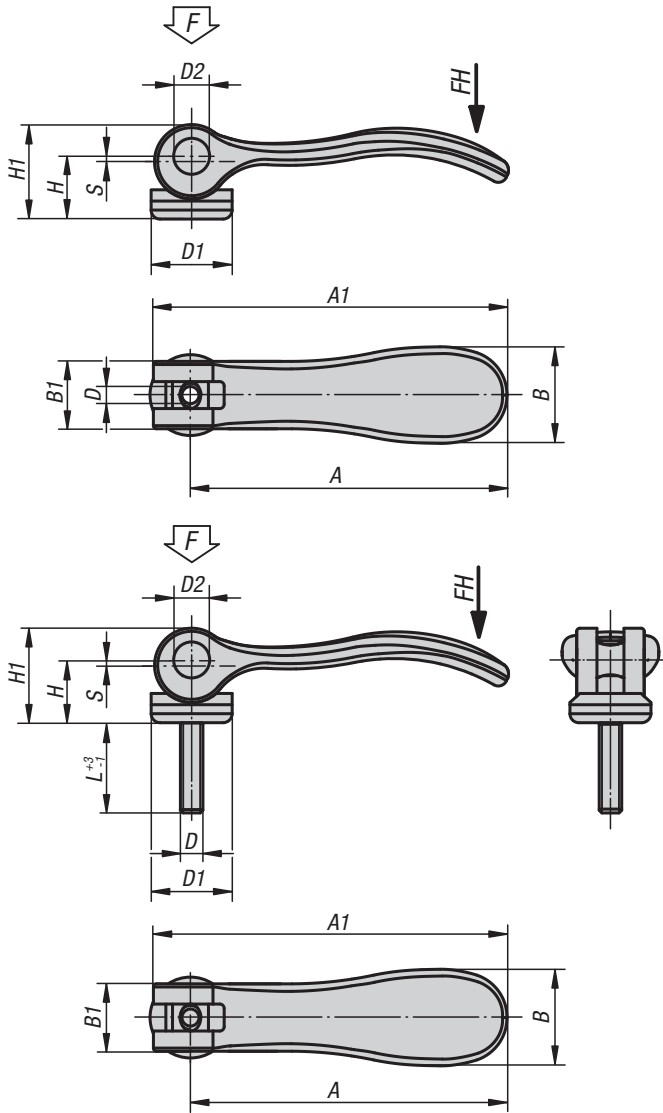
Item No. steel	Item No. stainless steel	D	D1	D2	B	B1	H	H1	A	A1	L	Stroke S	Clamping force F (kN)	Hand force FH N
K0005.95014ADX	K0005.95114ADX	6-32	12	6	14,4	11,5	9	13	36,2	41,7	10/15/30	1	1,5	90
K0005.95014AEX	K0005.95114AEX	8-32	12	6	14,4	11,5	9	13	36,2	41,7	10/15/30	1	1,5	90
K0005.05014AEX	K0005.05114AEX	8-32	15,4	8	18	13	11,2	17	52,3	59,1	15/20/30	1	2,5	100
K0005.05014A0X	K0005.05114A0X	10-24	15,4	8	18	13	11,2	17	52,3	59,1	20/30/40/50	1	2,5	100
K0005.05014A1X	K0005.05114A1X	10-32	15,4	8	18	13	11,2	17	52,3	59,1	20/30/40/50	1	2,5	100
K0005.15014A1X	K0005.15114A1X	10-32	18,1	9	21,5	15	14,5	22	70,4	79,2	20/30/40/50	1,2	4	120
K0005.15014A2X	K0005.15114A2X	1/4-20	18,1	9	21,5	15	14,5	22	70,4	79,2	20/30/40/50	1,2	4	120
K0005.25014A3X	K0005.25114A3X	5/16-18	27,1	11	33,3	24	18	28,5	96	108	25/30/40/50	1,5	8	350
K0005.25014A4X	K0005.25114A4X	3/8-16	27,1	11	33,3	24	18	28,5	96	108	25/30/40/50	1,5	8	350

Cam Levers

with internal and external thread

METRIC
Parts

Expanded Line



Material:

Handles cast aluminum EN AC-46200.
Thrust washer plastic PA 66 GF 35-X fiberglass reinforced.
Hinge pin stainless steel 1.4305.
Studs and washer steel quality class 5.8 or stainless steel 1.4305.

Type:

Handles fine structure powder-coated, black or red RAL 3003;
thrust washer black;
hinge pin natural finish;
threaded stud and washer in steel blue chromate or stainless steel natural finish

Part Number Example:

K0005.95011ADX10
(include length L)

Note:

Plastic materials are subject to creep under compression (Retardation).

Cam Levers

with internal and external thread

Cam Levers black, internal thread, metric

Item No. steel	Item No. stainless steel	D	D1	D2	B	B1	H	H1	A	A1	Stroke S	Clamping force F (kN)	Hand force FH N
K0005.9501103	K0005.9511103	M3	12	6	14,4	11,5	9	13	36,2	41,7	1	1,5	90
K0005.9501104	K0005.9511104	M4	12	6	14,4	11,5	9	13	36,2	41,7	1	1,5	90
K0005.0501104	K0005.0511104	M4	15,4	8	18	13	11,2	17	52,3	59,1	1	2,5	100
K0005.0501105	K0005.0511105	M5	15,4	8	18	13	11,2	17	52,3	59,1	1	2,5	100
K0005.1501105	K0005.1511105	M5	18,1	9	21,5	15	14,5	22	70,4	79,2	1,2	4	120
K0005.1501106	K0005.1511106	M6	18,1	9	21,5	15	14,5	22	70,4	79,2	1,2	4	120
K0005.2501108	K0005.2511108	M8	27,1	11	33,3	24	18	28,5	96	108	1,5	8	350

Cam Levers red, internal thread, metric

Item No. steel	Item No. stainless steel	D	D1	D2	B	B1	H	H1	A	A1	Stroke S	Clamping force F (kN)	Hand force FH N
K0005.9501403	K0005.9511403	M3	12	6	14,4	11,5	9	13	36,2	41,7	1	1,5	90
K0005.9501404	K0005.9511404	M4	12	6	14,4	11,5	9	13	36,2	41,7	1	1,5	90
K0005.0501404	K0005.0511404	M4	15,4	8	18	13	11,2	17	52,3	59,1	1	2,5	100
K0005.0501405	K0005.0511405	M5	15,4	8	18	13	11,2	17	52,3	59,1	1	2,5	100
K0005.1501405	K0005.1511405	M5	18,1	9	21,5	15	14,5	22	70,4	79,2	1,2	4	120
K0005.1501406	K0005.1511406	M6	18,1	9	21,5	15	14,5	22	70,4	79,2	1,2	4	120
K0005.2501408	K0005.2511408	M8	27,1	11	33,3	24	18	28,5	96	108	1,5	8	350

Cam Levers black, external thread, metric

Item No. steel	Item No. stainless steel	D	D1	D2	B	B1	H	H1	A	A1	L	Stroke S	Clamping force F (kN)	Hand force FH N
K0005.9501103X	K0005.9511103X	M3	12	6	14,4	11,5	9	13	36,2	41,7	10/15/30	1	1,5	90
K0005.9501104X	K0005.9511104X	M4	12	6	14,4	11,5	9	13	36,2	41,7	10/15/30	1	1,5	90
K0005.0501104X	K0005.0511104X	M4	15,4	8	18	13	11,2	17	52,3	59,1	15/20/30	1	2,5	100
K0005.0501105X	K0005.0511105X	M5	15,4	8	18	13	11,2	17	52,3	59,1	20/30/40/50	1	2,5	100
K0005.1501105X	K0005.1511105X	M5	18,1	9	21,5	15	14,5	22	70,4	79,2	20/30/40/50	1,2	4	120
K0005.1501106X	K0005.1511106X	M6	18,1	9	21,5	15	14,5	22	70,4	79,2	20/30/40/50	1,2	4	120
K0005.2501108X	K0005.2511108X	M8	27,1	11	33,3	24	18	28,5	96	108	25/30/40/50	1,5	8	350
K0005.2501110X	K0005.2511110X	M10	27,1	11	33,3	24	18	28,5	96	108	25/30/40/50	1,5	8	350

Cam Levers red, external thread, metric

Item No. steel	Item No. stainless steel	D	D1	D2	B	B1	H	H1	A	A1	L	Stroke S	Clamping force F (kN)	Hand force FH N
K0005.9501403X	K0005.9511403X	M3	12	6	14,4	11,5	9	13	36,2	41,7	10/15/30	1	1,5	90
K0005.9501404X	K0005.9511404X	M4	12	6	14,4	11,5	9	13	36,2	41,7	10/15/30	1	1,5	90
K0005.0501404X	K0005.0511404X	M4	15,4	8	18	13	11,2	17	52,3	59,1	15/20/30	1	2,5	100
K0005.0501405X	K0005.0511405X	M5	15,4	8	18	13	11,2	17	52,3	59,1	20/30/40/50	1	2,5	100
K0005.1501405X	K0005.1511405X	M5	18,1	9	21,5	15	14,5	22	70,4	79,2	20/30/40/50	1,2	4	120
K0005.1501406X	K0005.1511406X	M6	18,1	9	21,5	15	14,5	22	70,4	79,2	20/30/40/50	1,2	4	120
K0005.2501408X	K0005.2511408X	M8	27,1	11	33,3	24	18	28,5	96	108	25/30/40/50	1,5	8	350
K0005.2501410X	K0005.2511410X	M10	27,1	11	33,3	24	18	28,5	96	108	25/30/40/50	1,5	8	350

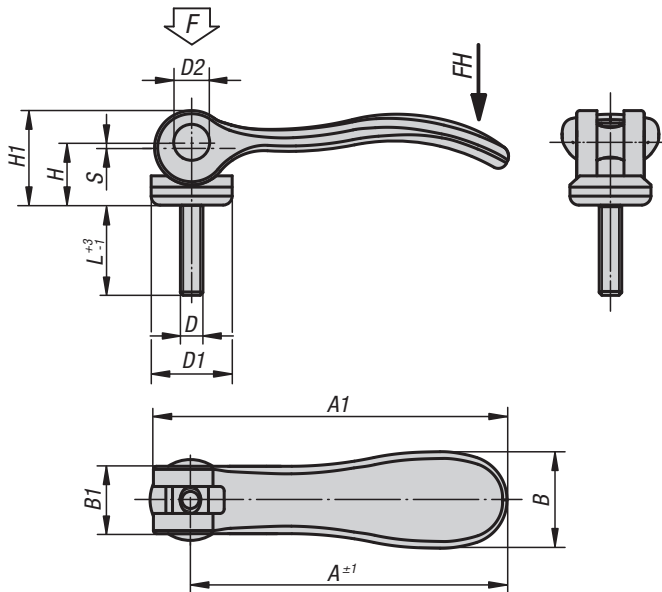
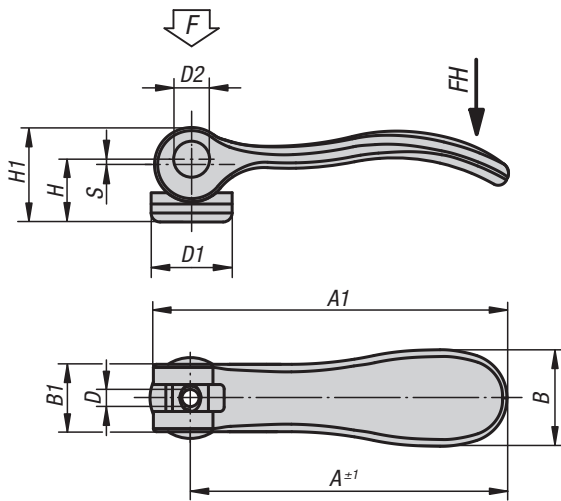
Cam Levers

internal and external thread, steel

INCH
Parts

METRIC
Parts

New Item



Material:

Handle steel 1.0401.
Thrust washer plastic PA 66 GF 35-X fiberglass reinforced.
Hinge pin stainless steel 1.4305.
Stud and washer steel, quality class 5.8.

Type:

Handle, stud and washer, blue chromate.
Thrust washer black.
Hinge pin natural finish.

Part Number Example:

K0788.1502205

Note:

Plastic materials are subject to creep under compression (Retardation).

Cam Levers

internal and external thread, steel



KIPP Cam Levers internal thread, steel, inch

Item No.	Size	D	D1	D2	B	B1	H	H1	A	A1	Stroke S	Clamping force F (kN)	Hand force FH (N)
K0788.15022A1	1	10-32	18,1	9	21,5	15	14,5	22	70,4	79,2	1,2	4	120
K0788.15022A2	1	1/4-20	18,1	9	21,5	15	14,5	22	70,4	79,2	1,2	4	120
K0788.25022A3	2	5/16-18	27,1	11	33,3	24	18	28,5	96	108	1,5	8	350

KIPP Cam Levers external thread, steel, inch

Item No.	Size	D	D1	D2	B	B1	H	H1	A	A1	L	Stroke S	Clamping force F (kN)	Hand force FH (N)
K0788.15022A1X	1	10-32	18,1	9	21,5	15	14,5	22	70,4	79,2	20/30/40/50	1,2	4	120
K0788.15022A2X	1	1/4-20	18,1	9	21,5	15	14,5	22	70,4	79,2	20/30/40/50	1,2	4	120
K0788.25022A3X	2	5/16-18	27,1	11	33,3	24	18	28,5	96	108	25/30/40/50	1,5	8	350
K0788.25022A4X	2	3/8-16	27,1	11	33,3	24	18	28,5	96	108	25/30/40/50	1,5	8	350

KIPP Cam Levers internal thread, steel, metric

Item No.	Size	D	D1	D2	B	B1	H	H1	A	A1	Stroke S	Clamping force F (kN)	Hand force FH (N)
K0788.1502205	1	M5	18,1	9	21,5	15	14,5	22	70,4	79,2	1,2	4	120
K0788.1502206	1	M6	18,1	9	21,5	15	14,5	22	70,4	79,2	1,2	4	120
K0788.2502208	2	M8	27,1	11	33,2	24	18	28,5	96	108	1,5	8	350

KIPP Cam Levers external thread, steel, metric

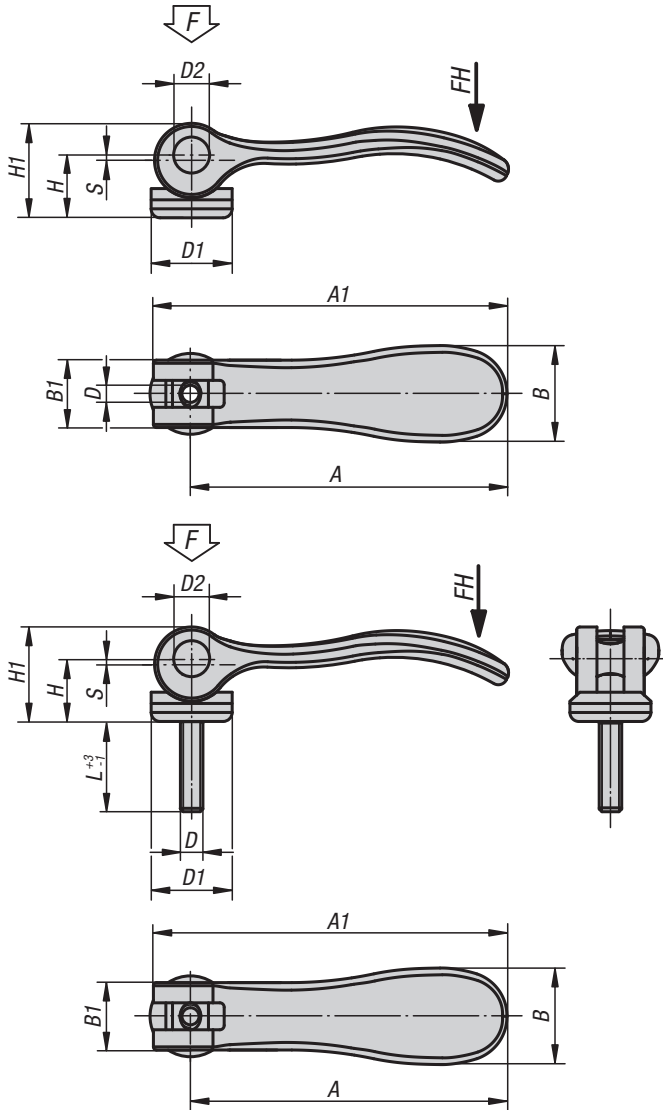
Item No.	Size	D	D1	D2	B	B1	H	H1	A	A1	L	Stroke S	Clamping force F (kN)	Hand force FH (N)
K0788.1502205X	1	M5	18,1	9	21,5	15	14,5	22	70,4	79,2	20/30/40/50	1,2	4	120
K0788.1502206X	1	M6	18,1	9	21,5	15	14,5	22	70,4	79,2	20/30/40/50	1,2	4	120
K0788.2502208X	2	M8	27,1	11	33,2	24	18	28,5	96	108	25/30/40/50	1,5	8	350
K0788.2502210X	2	M10	27,1	11	33,2	24	18	28,5	96	108	25/30/40/50	1,5	8	350

Cam Levers in stainless steel

with internal and external thread



Expanded Line



Material:

Handle 1.4308;
 thrust washer in fiberglass reinforced plastic PA 66 GF 35-X;
 hinge pin, threaded stud and washer 1.4305

Type:

Handle electrolytic polished;
 thrust washer black;
 hinge pin, threaded stud and washer natural finish

Part Number Example:

K0645.15120A1X20
 (include length L)

Note:

Plastic materials are subject to creep under compression (Retardation).

Cam Levers in stainless steel

with internal and external thread



KIPP Cam Levers in stainless steel with internal thread, inch

Item No.	D	D1	D2	B	B1	H	H1	A	A1	Stroke S	Clamping force F (kN)	Hand force FH (N)
K0645.95120AD	6-32	12	6	14,4	11,5	9	13	36,2	41,7	1	1,5	90
K0645.95120AE	8-32	12	6	14,4	11,5	9	13	36,2	41,7	1	1,5	90
K0645.05120A0	10-24	15,4	8	18	13	11,2	17	52,3	59,1	1	2,5	100
K0645.05120A1	10-32	15,4	8	18	13	11,2	17	52,3	59,1	1	2,5	100
K0645.05120AE	8-32	15,4	8	18	13	11,2	17	52,3	59,1	1	2,5	100
K0645.15120A1	10-32	18,1	9	21,5	15	14,5	22	70,4	79,2	1,2	4	120
K0645.15120A2	1/4-20	18,1	9	21,5	15	14,5	22	70,4	79,2	1,2	4	120
K0645.25120A3	5/16-18	27,1	11	33,3	24	18	28,5	96	108	1,5	8	350

KIPP Cam Levers in stainless steel with external thread, inch

Item No.	D	D1	D2	B	B1	H	H1	A	A1	L	Stroke S	Clamping force F (kN)	Hand force FH (N)
K0645.95120AEX	8-32	12	6	14,4	11,5	9	13	36,2	41,7	10/15/30	1	1,5	90
K0645.95120ADX	6-32	12	6	14,4	11,5	9	13	36,2	41,7	10/15/30	1	1,5	90
K0645.05120A0X	10-24	15,4	8	18	13	11,2	17	52,3	59,1	20/30/40/50	1	2,5	100
K0645.05120A1X	10-32	15,4	8	18	13	11,2	17	52,3	59,1	20/30/40/50	1	2,5	100
K0645.05120AEX	8-32	15,4	8	18	13	11,2	17	52,3	59,1	15/20/30	1	2,5	100
K0645.15120A1X	10-32	18,1	9	21,5	15	14,5	22	70,4	79,2	20/30/40/50	1,2	4	120
K0645.15120A2X	1/4-20	18,1	9	21,5	15	14,5	22	70,4	79,2	20/30/40/50	1,2	4	120
K0645.25120A3X	5/16-18	27,1	11	33,3	24	18	28,5	96	108	25/30/40/50	1,5	8	350
K0645.25120A4X	3/8-16	27,1	11	33,3	24	18	28,5	96	108	25/30/40/50	1,5	8	350

KIPP Cam Levers in stainless steel with internal thread, metric

Item No.	D	D1	D2	B	B1	H	H1	A	A1	Stroke S	Clamping force F (kN)	Hand force FH (N)
K0645.9512003	M3	12	6	14,4	11,5	9	13	36,2	41,7	1	1,5	90
K0645.9512004	M4	12	6	14,4	11,5	9	13	36,2	41,7	1	1,5	90
K0645.0512004	M4	15,4	8	18	13	11,2	17	52,3	59,1	1	2,5	100
K0645.0512005	M5	15,4	8	18	13	11,2	17	52,3	59,1	1	2,5	100
K0645.1512005	M5	18,1	9	21,5	15	14,5	22	70,4	79,2	1,2	4	120
K0645.1512006	M6	18,1	9	21,5	15	14,5	22	70,4	79,2	1,2	4	120
K0645.2512008	M8	27,1	11	33,3	24	18	28,5	96	108	1,5	8	350

KIPP Cam Levers in stainless steel with external thread, metric

Item No.	D	D1	D2	B	B1	H	H1	A	A1	L	Stroke S	Clamping force F (kN)	Hand force FH (N)
K0645.9512003X	M3	12	6	14,4	11,5	9	13	36,2	41,7	10/15/30	1	1,5	90
K0645.9512004X	M4	12	6	14,4	11,5	9	13	36,2	41,7	10/15/30	1	1,5	90
K0645.0512004X	M4	15,4	8	18	13	11,2	17	52,3	59,1	15/20/30	1	2,5	100
K0645.0512005X	M5	15,4	8	18	13	11,2	17	52,3	59,1	20/30/40/50	1	2,5	100
K0645.1512005X	M5	18,1	9	21,5	15	14,5	22	70,4	79,5	20/30/40/50	1,2	4	120
K0645.1512006X	M6	18,1	9	21,5	15	14,5	22	70,4	79,5	20/30/40/50	1,2	4	120
K0645.2512008X	M8	27,1	11	33,3	24	18	28,5	96	108	25/30/40/50	1,5	8	350
K0645.2512010X	M10	27,1	11	33,3	24	18	28,5	96	108	25/30/40/50	1,5	8	350

Cam Levers with plastic handle

with internal and external thread, steel or stainless steel



Material:

Handles and thrust washer plastic PA 66 fiberglass reinforced.
Hinge pins stainless steel 1.4305.
Studs and washer steel quality class 5.8 or stainless steel 1.4305.

Type:

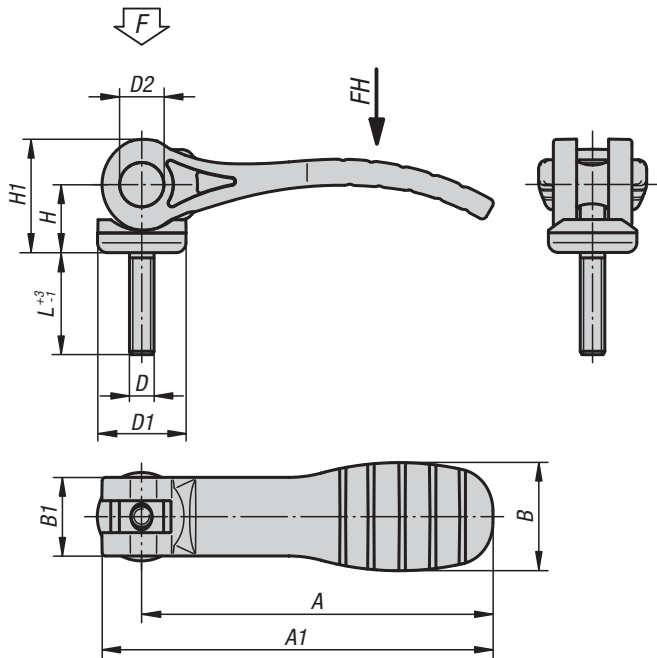
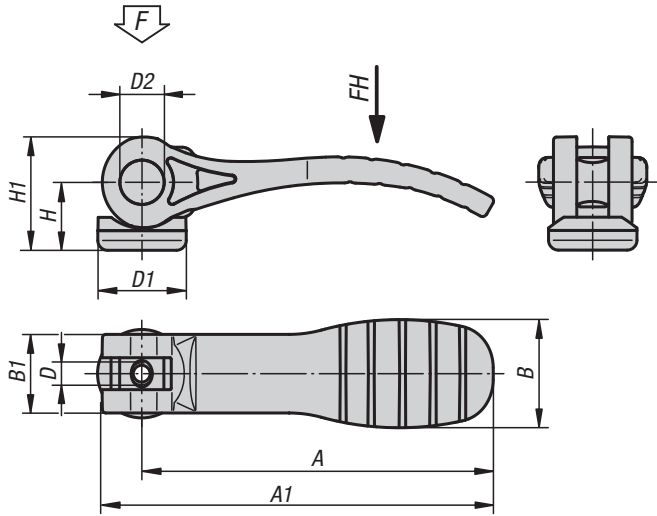
Handle and thrust washer black;
hinge pin natural finish;
threaded stud and washer in steel blue chromate or stainless steel natural finish

Part Number Example:

K0646.15211A1X20
(include length L)

Note:

Plastics are subject to creeping under load (retardation), this can cause reduced clamping force.



Cam Levers with plastic handle

with internal and external thread, steel or stainless steel

KIPP Cam Levers with plastic handle and internal thread, inch

Item No. steel	Item No. stainless steel	D	D1	D2	B	B1	H	H1	A	A1	Stroke	Clamping force F (kN)	Hand force FH N
K0646.15211A1	K0646.15311A1	10-32	18,1	9	22	16	14	23,4	71,5	79,6	1,15	2,5	125
K0646.15211A2	K0646.15311A2	1/4-20	18,1	9	22	16	14	23,4	71,5	79,6	1,15	2,5	125
K0646.25211A3	K0646.25311A3	5/16-18	27,1	11	33	24,2	16,2	27,7	100	110	1,5	5	170

KIPP Cam Levers with plastic handle and external thread, inch

Item No. steel	Item No. stainless steel	D	D1	D2	B	B1	H	H1	A	A1	L	Stroke	Clamping force F (kN)	Hand force FH N
K0646.15211A1X	K0646.15311A1X	10-32	18,1	9	22	16	14	23,4	71,5	79,6	20/30/40/50	1,15	2,5	125
K0646.15211A2X	K0646.15311A2X	1/4-20	18,1	9	22	16	14	23,4	71,5	79,6	20/30/40/50	1,15	2,5	125
K0646.25211A3X	K0646.25311A3X	5/16-18	27,1	11	33	24,2	16,2	27,7	100	110	25/30/40/50	1,5	5	170
K0646.25211A4X	K0646.25311A4X	3/8-16	27,1	11	33	24,2	16,2	27,7	100	110	25/30/40/50	1,5	5	170

KIPP Cam Levers with plastic handle and internal thread, metric

Item No. steel	Item No. stainless steel	D	D1	D2	B	B1	H	H1	A	A1	Stroke	Clamping force F (kN)	Hand force FH N
K0646.1521105	K0646.1531105	M5	18,1	9	22	16	14	23,4	71,5	79,6	1,15	2,5	125
K0646.1521106	K0646.1531106	M6	18,1	9	22	16	14	23,4	71,5	79,6	1,15	2,5	125
K0646.2521108	K0646.2531108	M8	27,1	11	33	24,2	16,2	27,7	100	110	1,5	5	170

KIPP Cam Levers with plastic handle and external thread, metric

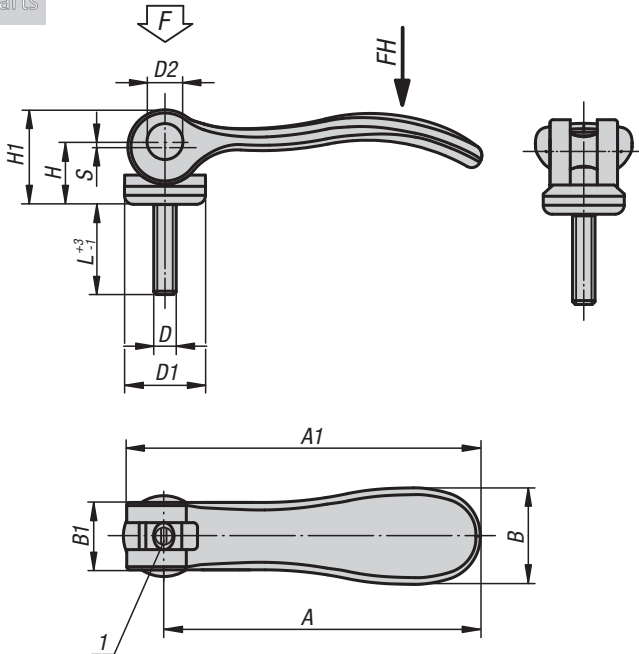
Item No. steel	Item No. stainless steel	D	D1	D2	B	B1	H	H1	A	A1	L	Stroke	Clamping force F (kN)	Hand force FH N
K0646.1521105X	K0646.1531105X	M5	18,1	9	22	16	14	23,4	71,5	79,6	20/30/40/50	1,15	2,5	125
K0646.1521106X	K0646.1531106X	M6	18,1	9	22	16	14	23,4	71,5	79,6	20/30/40/50	1,15	2,5	125
K0646.2521108X	K0646.2531108X	M8	27,1	11	33	24,2	16,2	27,7	100	110	25/30/40/50	1,5	5	170
K0646.2521110X	K0646.2531110X	M10	27,1	11	33	24,2	16,2	27,7	100	110	25/30/40/50	1,5	5	170

Adjustable Cam Levers

with external thread, steel or stainless steel

INCH
Parts

Expanded Line



Material:

Handles cast aluminum EN AC-46200;
thrust washer plastic PA 66 GF 35-X fiberglass reinforced;
hinge pins stainless steel 1.4305;
studs and washer steel quality class 5.8 or stainless steel 1.4305

Type:

Handles fine structure powder-coated,
black or red RAL 3003.
Thrust washer, black.
Hinge pins, natural finish.
Studs and washer blue chromated steel or natural finish
stainless steel.

Part Number Example:

K0006.95011ADX
(include length L)

Note:

Adjustable Cam Levers are unique from the original Cam Lever Series in that Adjustable Cam Levers have a screwdriver slot located at the top end of the stud to allow for fine adjustment when clamping space is limited.
Plastic materials are subject to creep under compression (Retardation).

Drawing reference:

1) pin for the fine adjustment of the tensioning lever

KIPP Adjustable Cam Levers black, external thread, inch

Item No. steel	Item No. stainless steel	D	D1	D2	B	B1	H	H1	A	A1	L	Stroke S	Clamping force F (kN)	Hand force FH N
K0006.95011ADX	K0006.95111ADX	6-32	12	6	14,4	11,5	9	13	36,2	41,7	10/15/30	1	1,5	90
K0006.95011AEX	K0006.95111AEX	8-32	12	6	14,4	11,5	9	13	36,2	41,7	10/15/30	1	1,5	90
K0006.05011AEX	K0006.05111AEX	8-32	15,4	8	18	13	11,2	17	52,3	59,1	15/20/30	1	2,5	100
K0006.05011A0X	K0006.05111A0X	10-24	15,4	8	18	13	11,2	17	52,3	59,1	20/30/40/50	1	2,5	100
K0006.05011A1X	K0006.05111A1X	10-32	15,4	8	18	13	11,2	17	52,3	59,1	20/30/40/50	1	2,5	100
K0006.15011A1X	K0006.15111A1X	10-32	18,1	9	21,5	15	14,5	22	70,4	79,2	20/30/40/50	1,2	4	120
K0006.15011A2X	K0006.15111A2X	1/4-20	18,1	9	21,5	15	14,5	22	70,4	79,2	20/30/40/50	1,2	4	120
K0006.25011A3X	K0006.25111A3X	5/16-18	27,1	11	33,3	24	18	28,5	96	108	25/30/40/50	1,5	8	350
K0006.25011A4X	K0006.25111A4X	3/8-16	27,1	11	33,3	24	18	28,5	96	108	25/30/40/50	1,5	8	350

KIPP Adjustable Cam Levers red, external thread, inch

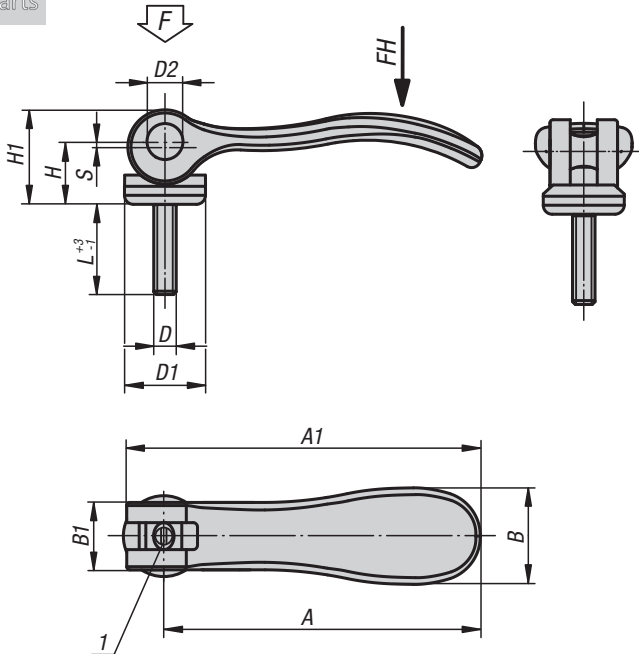
Item No. steel	Item No. stainless steel	D	D1	D2	B	B1	H	H1	A	A1	L	Stroke S	Clamping force F (kN)	Hand force FH N
K0006.95014ADX	K0006.95114ADX	6-32	12	6	14,4	11,5	9	13	36,2	41,7	10/15/30	1	1,5	90
K0006.95014AEX	K0006.95114AEX	8-32	12	6	14,4	11,5	9	13	36,2	41,7	10/15/30	1	1,5	90
K0006.05014AEX	K0006.05114AEX	8-32	15,4	8	18	13	11,2	17	52,3	59,1	15/20/30	1	2,5	100
K0006.05014A0X	K0006.05114A0X	10-24	15,4	8	18	13	11,2	17	52,3	59,1	20/30/40/50	1	2,5	100
K0006.05014A1X	K0006.05114A1X	10-32	15,4	8	18	13	11,2	17	52,3	59,1	20/30/40/50	1	2,5	100
K0006.15014A1X	K0006.15114A1X	10-32	18,1	9	21,5	15	14,5	22	70,4	79,2	20/30/40/50	1,2	4	120
K0006.15014A2X	K0006.15114A2X	1/4-20	18,1	9	21,5	15	14,5	22	70,4	79,2	20/30/40/50	1,2	4	120
K0006.25014A3X	K0006.25114A3X	5/16-18	27,1	11	33,3	24	18	28,5	96	108	25/30/40/50	1,5	8	350
K0006.25014A4X	K0006.25114A4X	3/8-16	27,1	11	33,3	24	18	28,5	96	108	25/30/40/50	1,5	8	350

Adjustable Cam Levers

with external thread, steel or stainless steel

METRIC
Parts

Expanded Line



Material:

Handles cast aluminum EN AC-46200;
thrust washer plastic PA 66 GF 35-X fiberglass reinforced;
hinge pins stainless steel 1.4305;
studs and washer steel quality class 5.8 or stainless steel 1.4305

Type:

Handles fine structure powder-coated,
black or red RAL 3003.
Thrust washer, black.
Hinge pins, natural finish.
Studs and washer blue chromated steel or natural finish
stainless steel.

Part Number Example:

K0006.95011ADX
(include length L)

Note:

Adjustable Cam Levers are unique from the original Cam Lever Series in that Adjustable Cam Levers have a screwdriver slot located at the top end of the stud to allow for fine adjustment when clamping space is limited.
Plastic materials are subject to creep under compression (Retardation).

Drawing reference:

1) pin for the fine adjustment of the tensioning lever

KIPP Adjustable Cam Levers black, external thread, metric

Item No. steel	Item No. stainless steel	D	D1	D2	B	B1	H	H1	A	A1	L	Stroke S	Clamping force F (kN)	Hand force FH N
K0006.9501103X	K0006.9511103X	M3	12	6	14,4	11,5	9	13	36,2	41,7	10/15/30	1	1,5	90
K0006.9501104X	K0006.9511104X	M4	12	6	14,4	11,5	9	13	36,2	41,7	10/15/30	1	1,5	90
K0006.0501104X	K0006.0511104X	M4	15,4	8	18	13	11,2	17	52,3	59,1	15/20/30	1	2,5	100
K0006.0501105X	K0006.0511105X	M5	15,4	8	18	13	11,2	17	52,3	59,1	20/30/40/50	1	2,5	100
K0006.1501105X	K0006.1511105X	M5	18,1	9	21,5	15	14,5	22	70,4	79,2	20/30/40/50	1,2	4	120
K0006.1501106X	K0006.1511106X	M6	18,1	9	21,5	15	14,5	22	70,4	79,2	20/30/40/50	1,2	4	120
K0006.2501108X	K0006.2511108X	M8	27,1	11	33,3	24	18	28,5	96	108	25/30/40/50	1,5	8	350
K0006.2501110X	K0006.2511110X	M10	27,1	11	33,3	24	18	28,5	96	108	25/30/40/50	1,5	8	350

KIPP Adjustable Cam Levers red, external thread, metric

Item No. steel	Item No. stainless steel	D	D1	D2	B	B1	H	H1	A	A1	L	Stroke S	Clamping force F (kN)	Hand force FH N
K0006.9501403X	K0006.9511403X	M3	12	6	14,4	11,5	9	13	36,2	41,7	10/15/30	1	1,5	90
K0006.9501404X	K0006.9511404X	M4	12	6	14,4	11,5	9	13	36,2	41,7	10/15/30	1	1,5	90
K0006.0501404X	K0006.0511404X	M4	15,4	8	18	13	11,2	17	52,3	59,1	15/20/30	1	2,5	100
K0006.0501405X	K0006.0511405X	M5	15,4	8	18	13	11,2	17	52,3	59,1	20/30/40/50	1	2,5	100
K0006.1501405X	K0006.1511405X	M5	18,1	9	21,5	15	14,5	22	70,4	79,2	20/30/40/50	1,2	4	120
K0006.1501406X	K0006.1511406X	M6	18,1	9	21,5	15	14,5	22	70,4	79,2	20/30/40/50	1,2	4	120
K0006.2501408X	K0006.2511408X	M8	27,1	11	33,3	24	18	28,5	96	108	25/30/40/50	1,5	8	350
K0006.2501410X	K0006.2511410X	M10	27,1	11	33,3	24	18	28,5	96	108	25/30/40/50	1,5	8	350

Adjustable Cam Levers

external thread, steel

New Item



Material:

Handle steel 1.0401.
Thrust washer plastic PA 66 GF 35-X fiberglass reinforced.
Hinge pin stainless steel 1.4305.
Stud and washer steel, quality class 5.8.

Type:

Handle, stud and washer, blue chromate.
Thrust washer black.
Hinge pin natural finish.

Part Number Example:

K0789.1502205X20

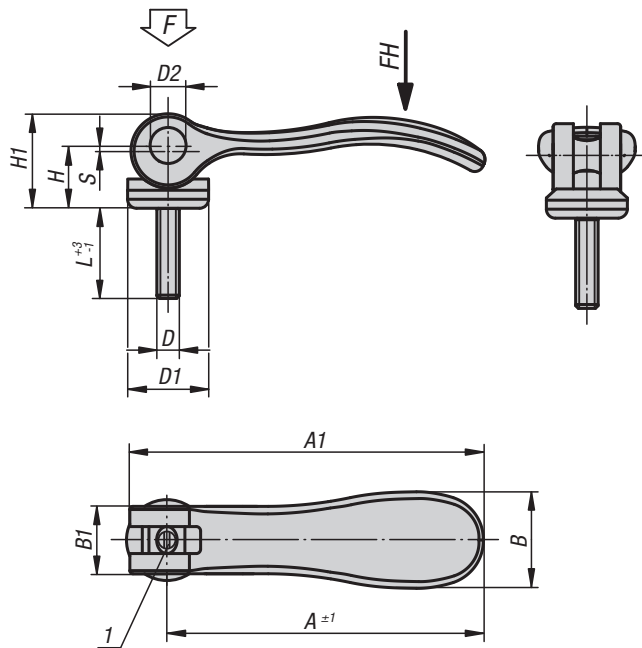
Note:

Adjustable Cam Levers are unique from the original Cam Lever Series in that Adjustable Cam Levers have a screwdriver slot located at the top end of the stud to allow for fine adjustment when clamping space is limited.

Plastic materials are subject to creep under compression (Retardation).

Drawing reference:

1) pin for the fine adjustment of the tensioning lever



KIPP Adjustable Cam Levers, external thread, steel, inch

Item No.	Size	D	D1	D2	B	B1	H	H1	A	A1	L	Stroke S	Clamping force F (kN)	Hand force FH (N)
K0789.15022A1X	1	10-32	18,1	9	21,5	15	14,5	22	70,4	79,2	20/30/40/50	1,2	4	120
K0789.15022A2X	1	1/4-20	18,1	9	21,5	15	14,5	22	70,4	79,2	20/30/40/50	1,2	4	120
K0789.25022A3X	2	5/16-18	27,1	11	33,2	24	18	28,5	96	108	25/30/40/50	1,5	8	350
K0789.25022A4X	2	3/8-16	27,1	11	33,2	24	18	28,5	96	108	25/30/40/50	1,5	8	350

KIPP Adjustable Cam Levers, external thread, steel, metric

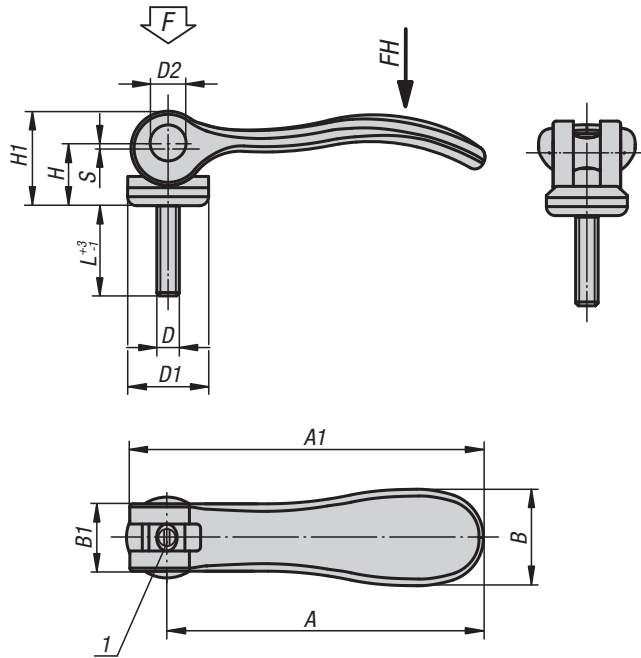
Item No.	Size	D	D1	D2	B	B1	H	H1	A	A1	L	Stroke S	Clamping force F (kN)	Hand force FH (N)
K0789.1502205X	1	M5	18,1	9	21,5	15	14,5	22	70,4	79,2	20/30/40/50	1,2	4	120
K0789.1502206X	1	M6	18,1	9	21,5	15	14,5	22	70,4	79,2	20/30/40/50	1,2	4	120
K0789.2502208X	2	M8	27,1	11	33,2	24	18	28,5	96	108	25/30/40/50	1,5	8	350
K0789.2502210X	2	M10	27,1	11	33,2	24	18	28,5	96	108	25/30/40/50	1,5	8	350

Adjustable Cam Levers in stainless steel

with external thread



Expanded Line



Material:

Handle 1.4308;
thrust washer in fiberglass reinforced plastic PA 66 GF 35-X;
hinge pin, threaded stud and washer 1.4305

Type:

Handle electrolytic polished;
thrust washer black;
hinge pin, threaded stud and washer natural finish

Part Number Example:

K0647.15120A1X20
(include length L)

Note:

Adjustable Cam Levers are unique from the original Cam Lever Series in that Adjustable Cam Levers have a screwdriver slot located at the top end of the stud to allow for fine adjustment when clamping space is limited. Plastic materials are subject to creep under compression (Retardation).

Drawing reference:

1) pin for the fine adjustment of the tensioning lever

KIPP Adjustable Cam Levers with external thread, all stainless steel, inch

Item No.	D	D1	D2	B	B1	H	H1	A	A1	L	Stroke S	Clamping force F (kN)	Hand force FH N
K0647.95120ADX	6-32	12	6	14.4	11.5	9	13	36.2	41.7	10/15/30	1	1.5	90
K0647.95120AEX	8-32	12	6	14.4	11.5	9	13	36.2	41.7	10/15/30	1	1.5	90
K0647.05120A0X	10-24	15.4	8	18	13	11.2	17	52.3	59.1	20/30/40/50	1	2.5	100
K0647.05120AEX	8-32	15.4	8	18	13	11.2	17	52.3	59.1	15/20/30	1	2.5	100
K0647.05120A1X	10-32	15.4	8	18	13	11.2	17	52.3	59.1	20/30/40/50	1	2.5	100
K0647.15120A1X	10-32	18,1	9	21,5	15	14,5	22	70,4	79,2	20/30/40/50	1,2	4	120
K0647.15120A2X	1/4-20	18,1	9	21,5	15	14,5	22	70,4	79,2	20/30/40/50	1,2	4	120
K0647.25120A3X	5/16-18	27,1	11	33,3	24	18	28,5	96	108	25/30/40/50	1,5	8	350
K0647.25120A4X	3/8-16	27,1	11	33,3	24	18	28,5	96	108	25/30/40/50	1,5	8	350

KIPP Adjustable Cam Levers with external thread, all stainless steel, metric

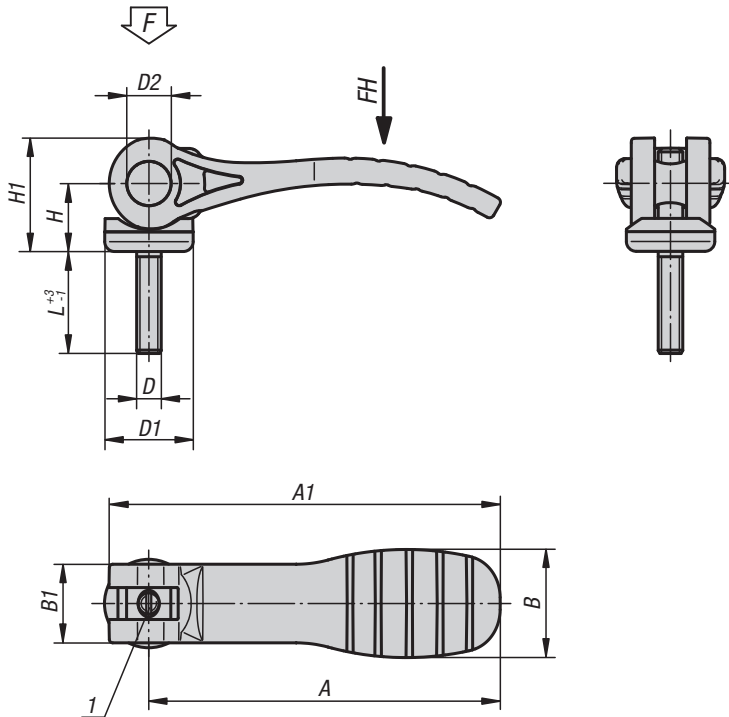
Item No.	D	D1	D2	B	B1	H	H1	A	A1	L	Stroke S	Clamping force F (kN)	Hand force FH N
K0647.9512003X	M3	12	6	14.4	11.5	9	13	36.2	41.7	10/15/30	1	1.5	90
K0647.9512004X	M4	12	6	14.4	11.5	9	13	36.2	41.7	10/15/30	1	1.5	90
K0647.0512004X	M4	15.4	8	18	13	11.2	17	52.3	59.1	15/20/30	1	2.5	100
K0647.0512005X	M5	15.4	8	18	13	11.2	17	52.3	59.1	20/30/40/50	1	2.5	100
K0647.1512005X	M5	18,1	9	21,5	15	14,5	22	70,4	79,2	20/30/40/50	1,2	4	120
K0647.1512006X	M6	18,1	9	21,5	15	14,5	22	70,4	79,2	20/30/40/50	1,2	4	120
K0647.2512008X	M8	27,1	11	33,3	24	18	28,5	96	108	25/30/40/50	1,5	8	350
K0647.2512010X	M10	27,1	11	33,3	24	18	28,5	96	108	25/30/40/50	1,5	8	350

Adjustable Cam Levers with plastic handle

with external thread, steel or stainless steel



INCH Parts METRIC Parts



Material:

Handles and thrust washer plastic PA 66 fiberglass reinforced;
hinge pins stainless steel 1.4305;
studs and washer steel quality class 5.8
or stainless steel 1.4305

Type:

Handle and thrust washer black;
hinge pin natural finish;
threaded stud and washer in steel blue chromate
or stainless steel natural finish

Part Number Example:

K0648.15211A1X20 (include length L)

Note:

Adjustable Cam Levers are unique from the original Cam Lever Series in that Adjustable Cam Levers have a screwdriver slot located at the top end of the stud to allow for fine adjustment when clamping space is limited.

Plastics are subject to creeping under compression (retardation), this can cause reduced clamping force.

Drawing reference:

1) pin for the fine adjustment of the tensioning lever

KIPP Adjustable Cam Levers with plastic handle with external thread, inch

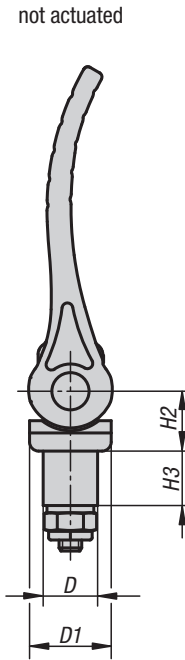
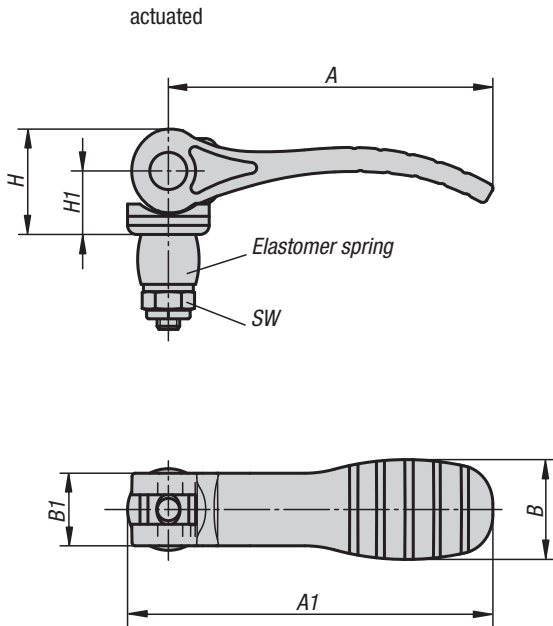
Item No. steel	Item No. stainless steel	D	D1	D2	B	B1	H	H1	A	A1	L	Stroke	Clamping force F (kN)	Hand force FH (N)
K0648.15211A1X	K0648.15311A1X	10-32	18,1	9	22	16	14	23,4	71,5	79,6	20/30/40/50	1,15	2,5	125
K0648.15211A2X	K0648.15311A2X	1/4-20	18,1	9	22	16	14	23,4	71,5	79,6	20/30/40/50	1,15	2,5	125
K0648.25211A3X	K0648.25311A3X	5/16-18	27,1	11	33	24,2	16,2	27,7	100	110	25/30/40/50	1,5	5	170
K0648.25211A4X	K0648.25311A4X	3/8-16	27,1	11	33	24,2	16,2	27,7	100	110	25/30/40/50	1,5	5	170

KIPP Adjustable Cam Levers with plastic handle with external thread, metric

Item No. steel	Item No. stainless steel	D	D1	D2	B	B1	H	H1	A	A1	L	Stroke	Clamping force F (kN)	Hand force FH (N)
K0648.1521105X	K0648.1531105X	M5	18,1	9	22	16	14	23,4	71,5	79,6	20/30/40/50	1,15	2,5	125
K0648.1521106X	K0648.1531106X	M6	18,1	9	22	16	14	23,4	71,5	79,6	20/30/40/50	1,15	2,5	125
K0648.2521108X	K0648.2531108X	M8	27,1	11	33	24	16,2	27,7	100	110	25/30/40/50	1,5	5	170
K0648.2521110X	K0648.2531110X	M10	27,1	11	33	24	16,2	27,7	100	110	25/30/40/50	1,5	5	170

Cam Levers expansion

METRIC
Parts



Material:

Handle and thrust washer fiberglass reinforced plastic PA 66;
hinge pin stainless steel 1.4305;
stud and washer steel quality class 5.8
PUR elastomer spring

Type:

Handles and thrust washer black;
hinge pins, natural finish;
studs and washer, blue chromate;
hexagon nut with clamping element and thrust washer, blue chromate.

Part Number Example:

K0118.121112X12

Note:

Actuating the handle causes the elastomer spring to expand and form to the surrounding surface. The amount of expansion of the elastomer spring and hence the clamping force can be adjusted using the nut with clamping element. Simultaneously, the clamping element nut ensures that the preset clamping force remains unchanged when the clamp is released.

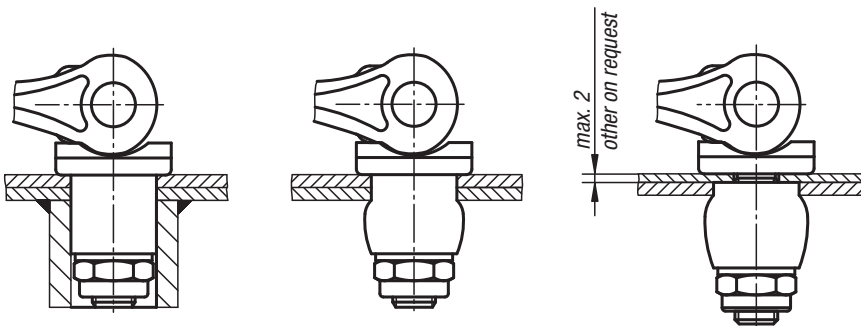
Application:

The specified holding forces are not suitable for constant loads.

Full clamping bore

Sheet metal clamping 1

Sheet metal clamping 2



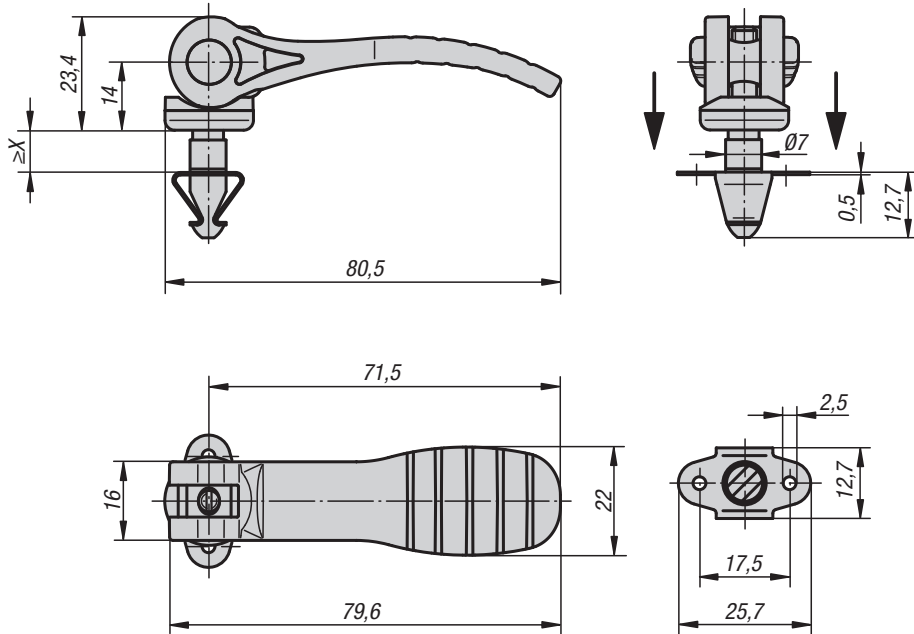
KIPP Cam Levers expansion, metric

Item No.	Size	D	D1	B	B1	H	H1	H2	H3	A	A1	SW	Clamping force ca. N clamp bore (no permanent load)	Clamping force ca. N plate clamping (no permanent load)
K0118.121112X12	1	12	18,1	22	16	23,2	14	12,85	12	71,5	79,6	10	100	50
K0118.121114X12	1	14	18,1	22	16	23,2	14	12,85	12	71,5	79,6	10	150	60
K0118.221116X20	2	16	27,1	33	24	27,8	16,2	14,7	20	99,9	110	13	350	60
K0118.221118X20	2	18	27,1	33	24	27,8	16,2	14,7	20	99,9	110	13	350	100
K0118.221120X20	2	20	27,1	33	24	27,8	16,2	14,7	20	99,9	110	16	350	100

Cam Levers

with quick lock

METRIC
Parts



Material:

Handle and thrust washer fiberglass reinforced plastic PA66;
hinge pin in stainless steel 1.4305;
locking pin in steel 1.0718;
spring clip in stainless steel 1.4310

Type:

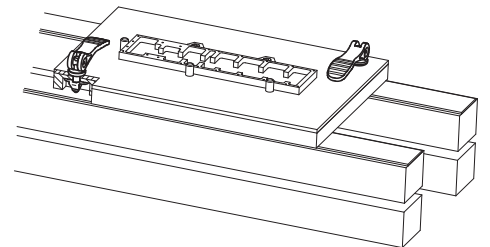
Handle and thrust washer black;
hinge pin natural finish;
locking pin blue chromate;
spring clip passivated

Part Number Example:

K0751.121107X2

Note:

A sheet metal element can be positioned by engaging the spring clip. The sheet metal element is then clamped using the handle.
Plastic materials are subject to creeping under compression (retardation).

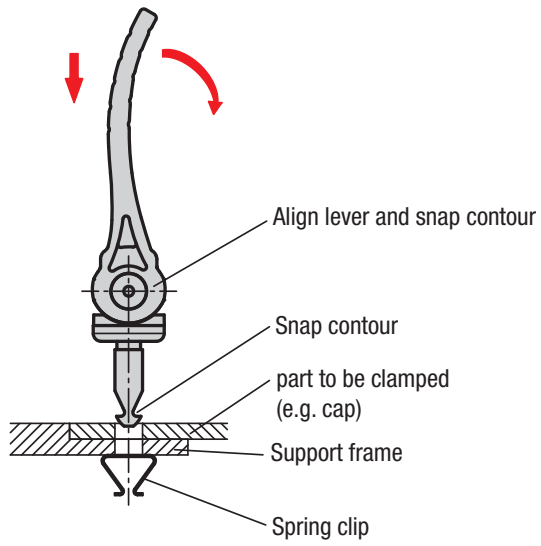


KIPP Cam Levers with quick lock, metric

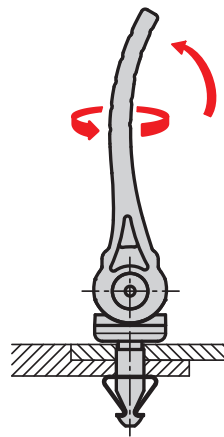
Item No.	X min. mat. thickness	Clamping force ca. N
K0751.121107X2	2	500
K0751.121107X4	4	500
K0751.121107X6	6	500
K0751.121107X8	8	500

Installation instructions for Cam Levers with quick lock

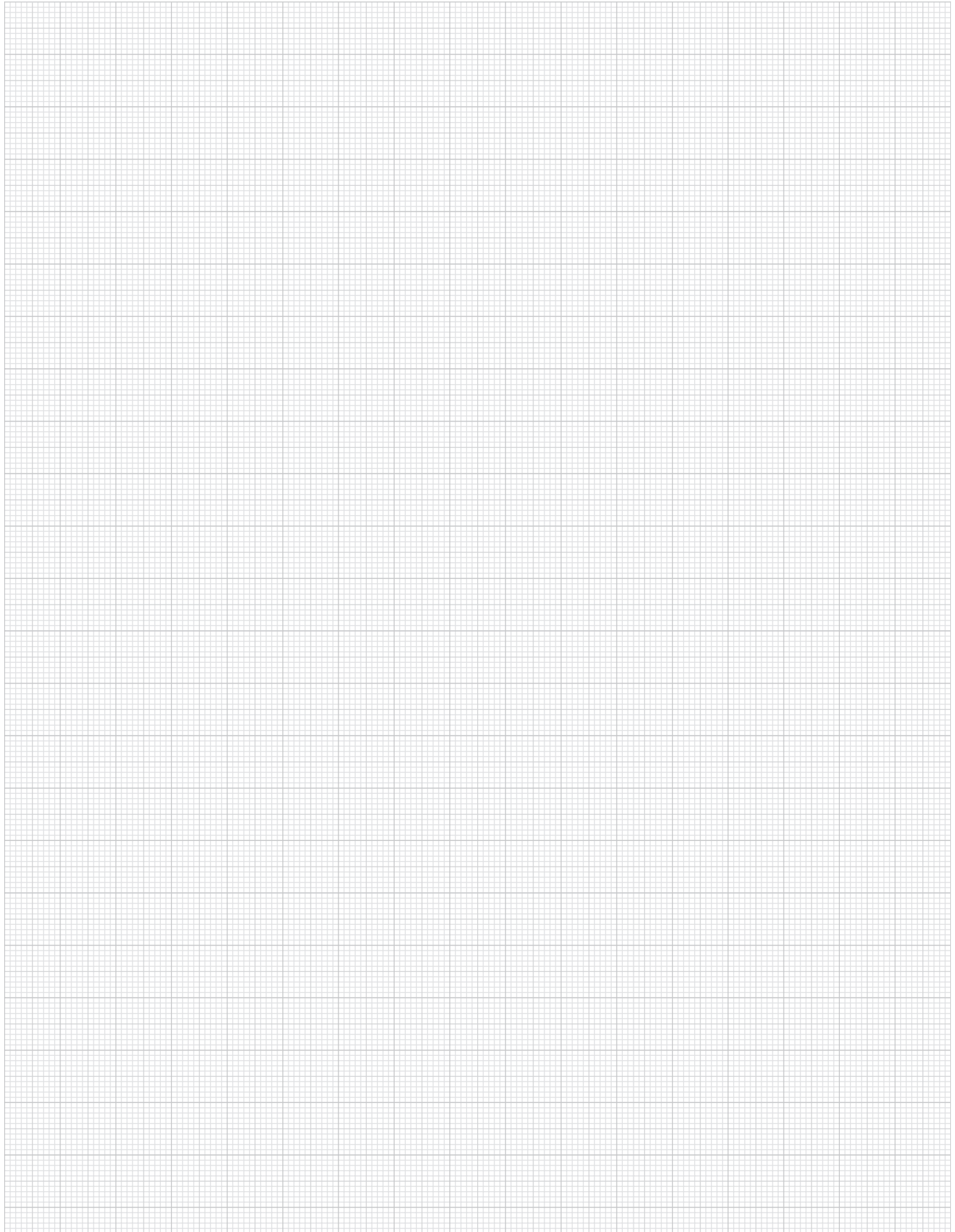
Push to insert and swivel to clamp



Swivel and twist to loosen



Notes:



Reference Table - Conversion of Measurements



Pressure		
From	To	Conversion
psi	Kilopond/cm ² (kp/cm ²)	psi x 0.07031 = kp/cm ²
Kilopond/cm ² (kp/cm ²)	psi	kp/cm ² x 14.22 = psi
psi	Bar	psi x 0.07 = Bar
Bar	psi	Bar x 14.29 = psi

Linear Measure		
From	To	Conversion
Inch (in)	Millimeter (mm)	in x 25.4 = mm
Millimeter (mm)	Inch (in)	mm x 0.03937 = in
Inch	Millimeter (mm)	Inch x 25.4 = mm
Millimeter (mm)	Inch	mm x 0.03937 = Inch
Foot	Meter (m)	Foot x 0.3048 = m
Meter (m)	Foot	m x 3.281 = Foot
Yard	Meter (m)	Yard x 0.9144 = m
Meter (m)	Yard	m x 1.0936 = Yard
Miles (mils)	Kilometer (km)	mils x 1.609 = km
Kilometer (km)	Miles (mils)	km x 0.622 = mils

Forces		
From	To	Conversion
Pounds (lbs)	Newton (N)	lbs x 4.45 = N
Newton (N)	Pounds (lbs)	N x 0.225 = lbs
PS (horsepower)	Kilowatt (kW)	PS x 0.735 = kW
Kilowatt (kW)	PS (horsepower)	kW x 1.36 = PS

Weights		
From	To	Conversion
Pounds (lbs)	Kilopond/cm ² (kp/cm ²)	lbs x 0.45 = kp/cm ²
Kilopond/cm ² (kp/cm ²)	Pounds (lbs)	kp/cm ² x 2.2 = lbs
Ounces (oz)	Gramm (g)	oz x 28 = g
Gramm (g)	Ounces (oz)	g x 0.035 = oz
Pounds (lbs)	Kilogramm (kg)	lbs x 0.4536 = kg
Kilogramm (kg)	Pounds (lbs)	kg x 2.205 = lbs

Torque		
From	To	Conversion
Foot-pounds (ft-lbs)	Newton-Meter (Nm)	ft/lbs x 1.35 = Nm
Newton-Meter (Nm)	Foot-pounds (ft-lbs)	Nm x 0.74 = ft/lbs
Newton-Meter (Nm)	Kilopond/cm (kp/cm)	Nm x 0.102 = kp/cm

General Information about:

KIPP Clamping Tools

KIPP Operating Parts

Novo-Grip

Sympa Touch

KIPP Machine and Jig Devices



Materials:

POM = Polyoxymethylene - Delrin®

Deviating from the standard design, other materials and quality classes are available on request.

Surface finishes:

Other surface finishes are available at additional cost, e.g. matte-finished or high-polish chromium-plated steel parts.

Other colors are also available on request for plastic coatings or molded plastic parts.

Threads:

Threads are manufactured to ISO DIN 13 medium tolerance class, i.e. 6H for nut threads and 6g for bolt threads. External threads up to 60 mm are generally supplied fully threaded. Screw lengths of 70 mm and more are supplied with 60 mm long threads.

Threads of aluminum grips:

Especially threads of aluminum grips cannot be true to gauge size due to final surface finish refinement and the removal of material during related pretreatment.

The majority of these threads are moulded in order to strengthen the material. As a result, the tearing resistance of aluminum for a thread with M5x10 is higher than 2000 N.

Special versions:

KIPP Clamp and Tension Levers can also be supplied on request with predrilled inserts, locating holes, locating bolts for pinning and other thread ends to DIN 78 (except for flat point) and to DIN 6332.

As a basic rule, you can rely on us as a competent partner for your daily clamping needs. We are always happy to advise you.

Thread Pitch Chart:

Metric Coarse Thread:

M3 X 0.5
M4 X 0.7
M5 X 0.8
M6 X 1.0
M8 X 1.25
M10 X 1.5
M12 X 1.75
M14 X 2.00
M16 X 2.00
M18 X 2.50
M20 X 2.50
M22 X 2.50
M24 X 3.00

Metric Fine Thread:

M3 X 0.35
M4 X 0.50
M5 X 0.50
M6 X 0.75
M8 X 1.00
M10 X 1.25
M12 X 1.50
M14 X 1.50
M16 X 1.50
M18 X 1.5
M20 X 1.5
M24 X 1.5
M24 X 2.0

Conversion Chart:

10mm = .39"
12mm = .47"
15mm = .59"
20mm = .79"
25mm = .98"
30mm = 1.18"
25mm = 1.38"
40mm = 1.57"
45mm = 1.77"
50mm = 1.97"
55mm = 2.17"
60mm = 2.36"
70mm = 2.76"
80mm = 3.15"
90mm = 3.54"

General Terms and Conditions



Kipp Inc. ("Kipp") is pleased to present its products to industry. All products are sold under our standard terms and conditions of sale, which include an express warranty, warranty disclaimers, and limitations of remedies and responsibilities. Kipp reserves the right to delete products and to make improvements, changes or modifications to all products manufactured or sold by Kipp, without incurring any liability to incorporate these changes in any part or component - past, present or future. Any specifications, guidelines, technical data and other information provided herein supersede all previous similar information published by Kipp unless specifically provided in writing by Kipp pursuant to a specific inquiry. All information provided by Kipp, regardless of nature or form, is prepared in good faith based upon our experience, mathematical models, and/or scientific models as general information only. Any suggestion or projections offered in writing, by phone, in person, or in any other form are provided in good faith, but since the functionality and reliability of Kipp products can vary with the application and with the equipment and other components with which it is used, and user skills, all warranties (other than the Kipp non-assignable standard express written warranty given to direct purchasers from Kipp), such as any implied warranty or merchantability or fitness for a particular purpose, are disclaimed.

Kipp products are generally sold through distributors and Kipp disclaims all warranties to indirect purchasers of Kipp product. Purchasers should contact their sellers with any claims related to Kipp products. Kipp is not responsible in contract, tort, or otherwise for any inaccuracies or for any direct, incidental or consequential damages resulting therefrom or from the purchase, use, storage or sale of Kipp products. Any suggestion or projection should be fully analyzed and/or tested by the customer before selecting any Kipp product or taking any action based thereon. Kipp products are often used in specialized complex applications. Post delivery field engineering and changes may be required by users to obtain the best results possible in any particular application. Please call our Engineering Department or Sales Department at (866) 547-7166 if you have further questions. All information furnished is subject to the foregoing disclaimers and limitations.

The publication of this catalog renders all earlier publications invalid. Dimensions and other information is correct at the time of printing.

We reserve the right to make technical changes. We also cannot be held liable for printing errors that may occur in this publication.

Reprint and reproduction, even excerpts, are only allowed with KIPP Inc. permission.

KIPP Inc.

Copyright KIPP Inc.

WE01USCAT1707